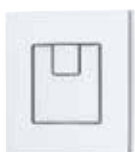




## CONCEALED CISTERNS

Thomas Dudley manufactures a market-leading range of high quality concealed cisterns. These are perfect for use in all domestic and commercial applications and can be used with confidence in fitted furniture or behind tiles and most partitioning materials.



### SAVING WATER

We are committed to the environment and positioned firmly at the forefront of water-saving technology. Cisterns can be supplied to deliver reliable flush volumes down to 4/2.6 litres to support Code for Sustainable Homes, BREEAM and other initiatives. Many of our concealed cisterns are also approved by the European Water Label Scheme. In addition, delay fill inlet valves can be supplied to provide the highest levels of water efficiency by only allowing cisterns to refill once flushing is complete.

### SAVING TIME AND MONEY

We also understand the need to save money on-site. As such, Dudley concealed cisterns are designed to speed up installation and servicing in order to minimise the associated costs.

### UNRIVALLED FLEXIBILITY

A vast range of pushbuttons, push plates, levers and touch-free electronic sensors is available to provide the perfect finishing touch to any project. **Please refer to pages 23-26 for details.**

### SPARES READILY AVAILABLE

Spares are readily available to help maximise the working life of every Dudley cistern.

**Please see pages 68-73, visit [spares.thomasdudley.co.uk](http://spares.thomasdudley.co.uk) or call us on 0121 530 7000 (Sales).**



Finding the perfect concealed cistern for every project.

	VANTAGE (PAGE 19)	MINIFLO (PAGE 20)	PUSHFLO (PAGE 21)	ROYAL PUSHFLO (PAGE 21)	MIRAGE (PAGE 22)	PHANTOM (PAGE 22)
PUSHBUTTON	•	•	•	•		
PUSHPLATE	•	•				
LEVER					•	•
ELECTRONIC SENSOR	•	•				
FLUSHING (LITRES)	6/4, 5/3, 4/2.6	6/4, 5/3, 4/2.6	6, 7	6, 7	6, 7, 9	6, 7
FRONT ACCESS	•	•				
TOP ACCESS	•	•	•	•	•	•

**SALES HOTLINE CALL 0121 530 7000 FAX 0121 557 5345**

## DUDLEY VANTAGE®



WRAS approved internal components.



51mm diameter Dio dualflush pushbutton.



Delay fill inlet valve saves even more water.

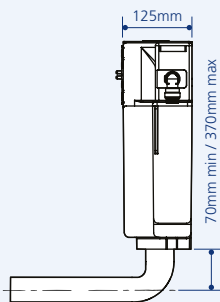
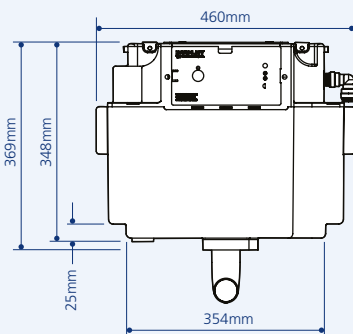


Approved by European Water Label Scheme.



### USES

- Designed specifically for use in bathroom furniture.
- Also ideal for use behind tiles and partitioning and in most other concealed applications.



### FEATURES

- Supplied factory assembled for quick and easy installation.
- WRAS approved Dudley Niagara flushing valve.
- WRAS approved Dudley Hydroflo quiet inlet valve.
- Push-fit water inlet elbow.
- Push-fit flushbend.
- Integral isolating valve.
- Air tubes enable button, plate or sensor to be installed up to 750mm away from cistern.
- Compact dimensions fit neatly into furniture units as small as 500mm(w) x 200mm(d) x 800mm(h).
- Front and top access panels.
- Unique cistern fixing brackets.
- Removes need to cut access holes into vanity tops.
- Side inlet.
- Cistern body in high density polyethylene.
- Internal overflow warning.
- Internal parts comply with the Regulator's Specification.

### WATER-SAVING

- 6/4 litre dualflush.
- Quickly and easily converts before or after installation to 5/3 or 4/2.6 litre dualflush.
- 6/5/4 litre single flush also available.
- Delay fill Hydroflo inlet valve only allows cistern to start refilling once flushing is complete.
- Approved by the European Water Label Scheme.
- Supports Code for Sustainable Homes and BREEAM.

### OPTIONS

- Polystyrene insulation jacket.
- Odour-extracting Panfan.
- Brass tailed water inlet.

Can be supplied with a wide range of pushbuttons, push plates and electronic sensors. See pages 23-26 and 27 for details and compatibility.

## DUDLEY MINIFLO®



WRAS approved internal components.



51mm pneumatic pushbutton.



Ideal behind tiles and partitioning.



Approved by European Water Label Scheme.



### USES

- Ideal for use behind tiles and partitioning and in most other concealed applications.

### FEATURES

- Supplied factory assembled for quick and easy installation.
- WRAS approved Dudley Niagara flushing valve.
- WRAS approved Dudley Hydroflo quiet inlet valve.
- Push-fit flushbend.
- Air tubes enable button, plate or sensor to be installed up to 750mm away from cistern.
- Compact dimensions fit neatly into 150mm ducts.
- Top access.
- One-piece cistern fixing brackets.
- Cistern body in high density polystyrene with a durable glossy finish.
- Internal overflow warning.
- Internal parts comply with the Regulator's Specification.

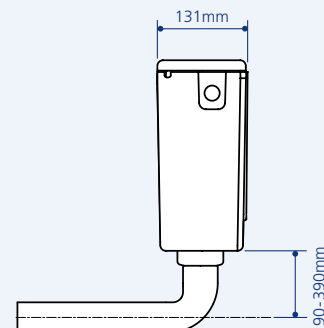
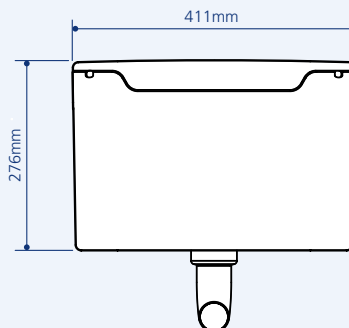
### WATER-SAVING

- 6/4 litre dualflush.
- Quickly and easily converts before or after installation to 5/3 or 4/2.6 litre dualflush.
- 6/5/4 litre single flush also available.
- Approved by the European Water Label Scheme.
- Supports Code for Sustainable Homes and BREEAM.

### OPTIONS

- Delay fill Hydroflo inlet valve that only allows cistern to start refilling once flushing is complete.
- Side or bottom inlet.

Can be supplied with a wide range of pushbuttons, push plates and electronic sensors. See pages 23-26 and 27 for details and compatibility.



## DUDLEY PUSHFLO®



WRAS approved internal components.



46mm diameter Petite single flush button.



50mm diameter Cone single flush button.

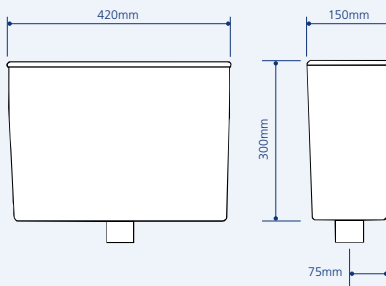


91mm diameter Dome single flush button.



### USES

- Ideal for use behind tiles and partitioning and in most other concealed applications.



### FEATURES

- WRAS approved flushing valve.
- WRAS approved inlet valve.
- Air tubes enable button to be installed up to 750mm away from cistern.
- Compact dimensions fit neatly into most ducts.
- Top access.
- Cistern body in high density polystyrene.
- Internal overflow warning.
- Internal parts comply with the Regulator's Specification.

### WATER-SAVING

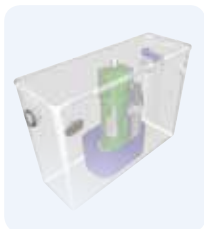
- 6 or 7 litre single flush.

### OPTIONS

- Side or bottom inlet.

Can be supplied with a wide range of pushbuttons including vandal-resistant and anti-ligature models. See pages 24, 26 and 27 for details and compatibility.

## DUDLEY ROYAL PUSHFLO®



WRAS approved internal components.



51mm diameter Palm pushbutton.

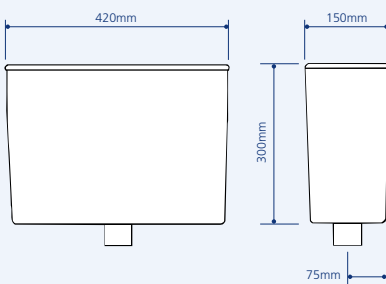


51mm diameter Royal button.



### USES

- Ideal for use behind tiles and partitioning and in most other concealed applications.



### FEATURES

- WRAS approved Dudley Niagara flushing valve.
- WRAS approved inlet valve.
- Air tubes enable button to be installed up to 750mm away from cistern.
- Compact dimensions fit neatly into most ducts.
- Top access.
- Cistern body in high density polystyrene.
- Internal overflow warning.

- Internal parts comply with the Regulator's Specification.

### WATER-SAVING

- 6 or 7 litre single flush.

### OPTIONS

- Side or bottom inlet.

Can be supplied with a wide range of pushbuttons including vandal-resistant models. See pages 24, 26 and 27 for details and compatibility.

## MIRAGE™



WRAS approved internal components.



Wide range of lever kits.

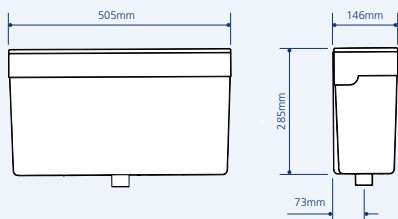


Approved by European Water Label Scheme.



### USES

- Ideal for use behind tiles and partitioning and in most other concealed applications.



### FEATURES

- Levers are fitted with vandal-resistant stops to prevent them being rotated backwards.
- WRAS approved Dudley syphon and WRAS approved Dudley Part 3 inlet valve.
- Top access.
- Internal/external overflow warning.
- Internal parts comply with the Regulator's Specification.
- Cistern body in high density polystyrene.

### WATER-SAVING

- 6/7/9 litre convertible.
- Dudley Duoflush delivers water-saving reduced flush when lever is held down and full flush when lever is depressed and released.
- Approved by the European Water Label Scheme.

### OPTIONS

- Wide range of lever kits to fit partition/wall thickness from 12mm – 365mm.
- WRAS approved Dudley Turbo 88 2-part syphon.
- WRAS approved Dudley Hydroflo inlet valve.

## PHANTOM®



WRAS approved internal components.



Wide range of lever kits.

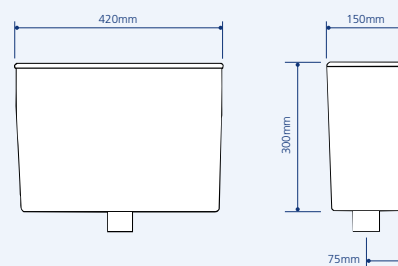


Approved by European Water Label Scheme.



### USES

- Ideal for use behind tiles and partitioning and in most other concealed applications.



### FEATURES

- Levers are fitted with vandal-resistant stops to prevent them being rotated backwards.
- WRAS approved Dudley syphon and WRAS approved Dudley Part 3 inlet valve.
- Top access.
- Internal/external overflow warning.
- Internal parts comply with the Regulator's Specification.
- Cistern body in high density polystyrene.

### WATER-SAVING

- 6 or 7 litre.
- Dudley Duoflush delivers water-saving reduced flush when lever is held down and full flush when lever is depressed and released.
- Approved by the European Water Label Scheme.

### OPTIONS

- Wide range of lever kits to fit partition/wall thickness from 12mm – 365mm.
- Can be installed with Illusion A in-wall WC support frame.
- WRAS approved Dudley Turbo 88 2-part syphon.

## DUALFLUSH PUSHBUTTONS

### USES

- Compatible with furniture, tiles, partitioning and walls.
- See below for cistern details.

### FEATURES

- Wide range of chrome plated, mixage and white finishes.
- Smooth pneumatic operation.
- Can be positioned up to 750mm from the cistern.

### 51MM DIAMETER DUALFLUSH

For use with Vantage and Miniflo cisterns and Illusion A and V frames.



**DIO™**



**POLISHED CHROME PLATED**



**POLISHED/MATT CHROME PLATED**

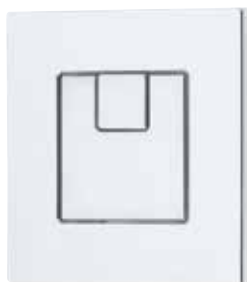


**TWIN PALM PUSH**



### 73.5MM SQUARE/DIAMETER DUALFLUSH

For use with Vantage and Miniflo cisterns and Illusion A and V frames.



**PIAZZA™ - ALSO AVAILABLE IN MATT CHROME PLATED FINISH**



**CHROME PLATED**



**MIXAGE - CHROME PLATED/ GOLD EFFECT**



**GOLD EFFECT**



**WHITE**

## SINGLE FLUSH PUSHBUTTONS

### 46MM DIAMETER SINGLE FLUSH

For use with Pushflo cisterns.



PETITE™

### 50MM DIAMETER SINGLE FLUSH

For use with Pushflo cisterns.



CONE™

### 51MM DIAMETER SINGLE FLUSH

For use with Vantage, Miniflo and Royal cisterns and Illusion A and V frames.



ROYAL™



PALM PUSH  
ROYAL™

### 55MM ROUND SINGLE FLUSH

For use with Vantage and Miniflo cisterns and Illusion A and V frames.



REMORA™  
(ALSO AVAILABLE AS DUAL  
FLUSH - PLEASE ENQUIRE)

### 91MM DIAMETER SINGLE FLUSH

For use with Pushflo cisterns.

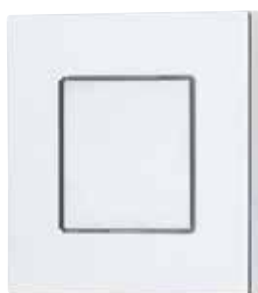


DOME™

### 73.5MM SQUARE/DIAMETER SINGLE FLUSH

For use with Vantage, Miniflo and Royal cisterns and Illusion A and V frames.

Chrome, gold effect, mixage and white finishes available in square and round surround designs.



PIAZZA™



MIXAGE - CHROME PLATED/  
GOLD EFFECT



CHROME PLATED

## DUALFLUSH PLATES

Please refer to page 27 for cistern compatibility.



**DUDLEY PEARL™**  
125MM (W) X 82MM (H) X 8MM (D)



**DUDLEY OYSTER™**  
232MM (W) X 152MM (H) X 16MM (D)



**DUDLEY WAVE S3™**  
242MM (W) X 156MM (H) X 13MM (D)  
(ALSO AVAILABLE WITH SQUARE CORNERS)



**DUDLEY PEARL PALM™**  
125MM (W) X 82MM (H) X 8MM (D)



**DUDLEY REEF™**  
232MM (W) X 152MM (H) X 14MM (D)



**DUDLEY WAVE S2™**  
229MM (W) X 149MM (H) X 10MM (D)



**DUDLEY CORAL™**  
232MM (W) X 152MM (H) X 14MM (D)



**DUDLEY WAVE S1™**  
229MM (W) X 149MM (H) X 10MM (D)

### USES

- Designed for use with Dudley Vantage and Miniflo concealed cisterns and Illusion A and V wall-hung sanitaryware frames.
- Compatible with furniture, tiles, partitioning and walls.

### FEATURES

- Chrome plated finish.
- Smooth pneumatic operation.
- Can be positioned up to 750mm from the cistern.

### WATER-SAVING

- Dualflush.
- Delivers 6/4, 5/3 or 4/2.6 litre flushing depending on Vantage and Miniflo cistern configuration.

### OPTIONS

- Oyster can be supplied in bespoke colours and with corporate branding subject to sufficient demand.
- Pearl available in classic and palm push models.



## VANDAL-RESISTANT METAL BUTTONS

Please refer to page 27 for cistern compatability.



**METAL ROYAL™**  
51MM DIAMETER SINGLE FLUSH



**FLAT METAL**  
63.5MM DIAMETER SINGLE FLUSH  
(FOR USE WITH PINTO VALVE)

### USES

- Ideal for use in all applications where there may be the potential for vandalism or misuse.
- Metal Royal button can be used with partitions, panelling or tiles up to 295mm thick.
- Flat metal button can be used with partition, panelling and tiles up to 42mm thick.

### FEATURES

- High impact vandal-resistant stainless steel construction.
- Flat metal button cannot be unscrewed from the front, providing an anti-ligature solution.

### OPTIONS

- Metal Royal button can be supplied with 160mm plastic bush or 368mm steel bush.

## VANDAL-RESISTANT METAL PLATES

Please refer to page 27 for cistern compatability.



**DUDLEY METAL PEARL™**  
125MM (W) X 82MM (H) X 8MM (D)



**DUDLEY REMORA™**  
229MM (W) X 149MM (H) X 10MM (D)

## COMPATABILITY TABLE FOR BUTTONS

Dudley push plates, pushbuttons and touch-free sensors have been specifically designed to work with our cisterns and in-wall frame systems. The table below summarises the compatibility of each.

PUSH PLATES	CONCEALED CISTERNS				WALL-HUNG SANITARYWARE FRAMES	
	VANTAGE	MINIFLO	PUSHFLO	ROYAL PUSHFLO	ILLUSION A	ILLUSION V
OYSTER	•	•			•	•
PEARL BUTTON STANDARD	•	•			•	•
PEARL BUTTON PALM PUSH	•	•			•	•
WAVE S1	•*	•*			•	•
WAVE S2	•*	•*			•	•
CORAL/REEF	•	•			•	•
<b>SMALL DUALFLUSH PUSHBUTTONS</b>						
51MM DIO	•	•			•	•
51MM POLISHED CHROME	•	•			•	•
51MM POLISHED/MATT CHROME	•	•			•	•
51MM TWIN PALM PUSH	•	•			•	•
55MM REMORA	•	•			•	•
<b>LARGE DUALFLUSH PUSHBUTTONS</b>						
73.5MM PIAZZA	•	•			•	•
73.5 CHROME, MIXAGE, GOLD, WHITE	•	•			•	•
<b>SMALL SINGLE FLUSH PUSHBUTTONS</b>						
46MM PETITE			•			
50MM CONE			•			
51MM ROYAL, PALM PUSH ROYAL	•	•		•		
55MM REMORA	•	•			•	•
<b>LARGE SINGLE FLUSH PUSHBUTTONS</b>						
73.5MM PIAZZA	•	•			•	•
73.5MM CHROME, MIXAGE	•	•			•	•
91MM DOME			•			
<b>METAL PUSHBUTTONS</b>						
51MM ROYAL	•	•		•	•	•
63.5MM FLAT METAL			•			
METAL PEARL PLATE	•	•			•	•
METAL REMORA PLATE	•	•			•	•
<b>TOUCH-FREE SENSORS</b>						
ELECTROFLO FOR CONCEALED CISTERNS 40MM SENSOR	•*	•*			•*	•*
ELECTROFLO FOR CONCEALED CISTERNS 40MM SENSOR SATIN STAINLESS STEEL FINISH (PLEASE ENQUIRE)	•*	•*			•*	•*
ELECTROFLO FOR CONCEALED CISTERNS 100MM SENSOR	•*	•*			•*	•*

\*Electroflo Vantage and Electroflo Miniflo cisterns only.  
Dualflush and single flush buttons must be installed in conjunction with dualflush and single flush cisterns respectively.

**SALES HOTLINE CALL 0121 530 7000 FAX 0121 557 5345**