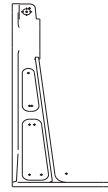
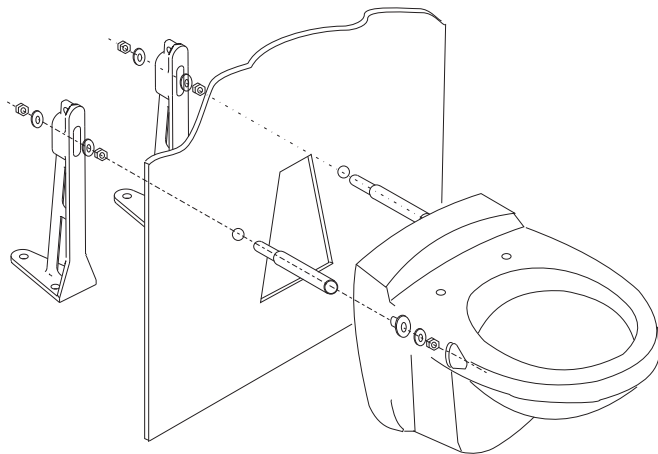


DUDLEY Sentine

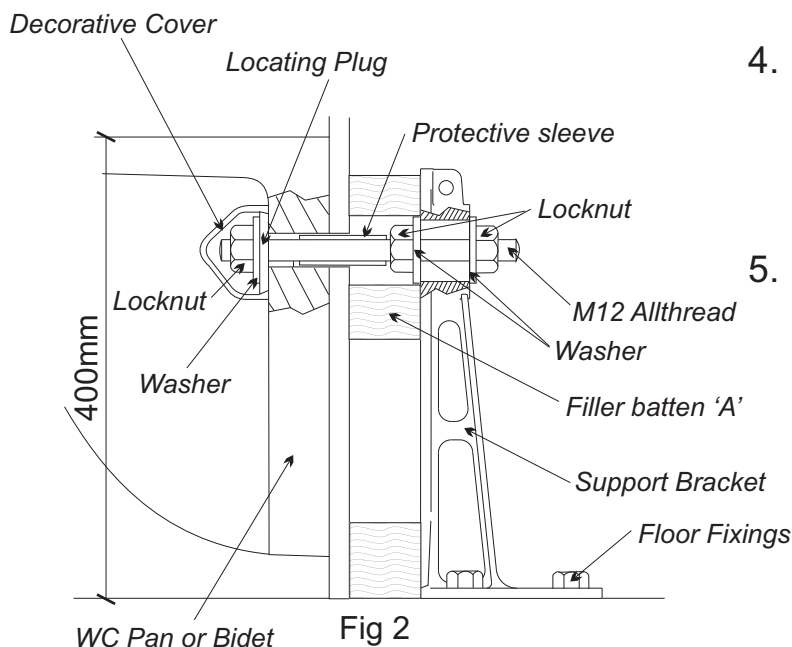


Specifically designed to support wall hung WC Pans or Bidets.

INSTALLATION INSTRUCTIONS



1. Establish position of Support Brackets with respect to the fixing hole centres on the WC Pan or Bidet.
2. Fix the Support Brackets to the floor with suitable screws and rawl plugs. (not supplied)
To ensure bracket stability it is essential that they are fixed into a rigid floor base.
3. If the dry wall has a wooden batten at floor level, fix bracket directly against the batten. (see fig.2). In this condition a packing out back filler, 'A', will be necessary.
4. Support brackets are slotted in the WC Pan (Bidet) fixing area so that adjustment can be made to achieve a pan rim height of 400mm.
5. On completion of plumbing fit WC pan/ Bidet as shown in fig.2



Thomas Dudley Ltd.

IRON FOUNDERS & PLASTIC MOULDERS

Dauntless Works, P.O. Box 28, Birmingham New Rd, Dudley, West Midlands DY1 4SN
Telephone: 0121-530 7000 (Sales) 0121-557 5411 Fax: 0121-557 5345
E-mail: sales@thomasdudley.co.uk Web: www.thomasdudley.co.uk

We are a quality assured company
to BS EN 9002 (BS 5750)



Cert No. FM 1025