

DUDLEY ILLUSION 'V'TM

DUDLEY VANTAGE CISTERN & FRAME FOR WALL-HUNG WC PANS



1



2

Flat walls

**Ideal for
corners,
flat walls &
furniture**

Product Description

The Dudley Illusion 'V' is a strong, revolutionary in-wall support system for wall-hung WC pans.

The frame is robustly constructed from steel tubular section and complies with the 400Kg load test based on EN 997.

The Illusion 'V' comes with a range of innovative features including wall fixing brackets that can be fixed at any angle through 180 degrees and is also supplied with an integral Dudley Vantage concealed cistern (page 18).

In order to minimise installation time and costs, the cistern comes pre-fitted onto the frame and factory assembled with its internal components already fitted in position.

The Illusion 'V' can be supplied with a wide range of pneumatic buttons and push plates that provide smooth and reliable flushing.

The Dudley Electroflo provides hygienic touch free electronic flushing and has been designed specifically for use with the Vantage cistern and Illusion 'V'.

Uses

Unique wall and floor fixing brackets enable the Illusion 'V' be fixed against flat walls (inset 2), into corners and into fitted bathroom furniture. It is also ideal for use behind partitions and in other ducted applications.

Once the frame has been bolted to the floor and rear wall, the whole system can be left in position whilst the partition is constructed. The Vantage cistern is protected by the frame's wall-fixing brackets and top support strut.

With the partition in place, the WC pan can be quickly secured to the pan fixing bolts and connected to the flushbend and soil pipe.

The push buttons and push plates provide the perfect finish for every installation. A vandal resistant metal "Royal" button (page 28) can also be supplied for applications where there may be the potential for misuse.

The Electroflo provides an ideal solution for hospitals and other applications where the need to maintain hygiene is paramount.

The Vantage cistern is fitted with a Dudley Hydroflo inlet valve that provides extremely quiet after flush filling. This makes the Illusion 'V' ideal for use in bathrooms that may be next to or close to bedrooms.

DUDLEY ILLUSION 'V'™

DUDLEY VANTAGE CISTERN & FRAME FOR WALL-HUNG WC PANS

Special Features

The wall fixing brackets can be fixed at any angle through 180 degrees.

This enables the Illusion 'V' to be specified for a wide range of applications.

These brackets are also reversible and allow the frame to be fitted between 150 and 370mm from the rear wall.

The floor fixing brackets can be rotated through 360 degrees and are simply adjusted to give pan height fixing flexibility.

Floor and pan fixing bolts are supplied along with a 100mm diameter soil pipe clamp.

The Dudley Vantage is the market-leading concealed cistern. It is supplied fully factory assembled with a host of time saving features including an injection moulded, push-fit flushbend and push-fit water inlet elbow.



Reversible wall brackets can be fixed through 180°



Floor brackets rotate through 360°. Legs are also quickly and easily adjusted



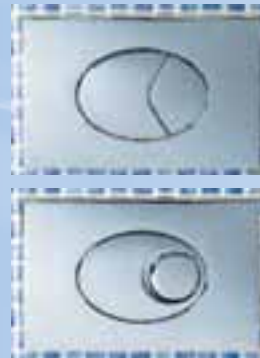
Integral Vantage concealed cistern

Saving water

The Vantage provides single (6 litre) and water-saving dualflush (6/4, 5/3 or 4/2.6 litre) flushing that complies with the Regulator's Specification.

It can be operated by a range of pneumatic push buttons from 51mm to 73.5mm diameter.

The Dudley Oyster and Pebble pneumatic push plates can be supplied with bespoke corporate logos – see page 20.



232mm x 152mm Oyster (top) and Pebble (bottom) push plates. See page 20



51mm dia. Dio for panels up to 32mm thick



51mm dia. "Royal" for panels/walls up to 40mm thick*



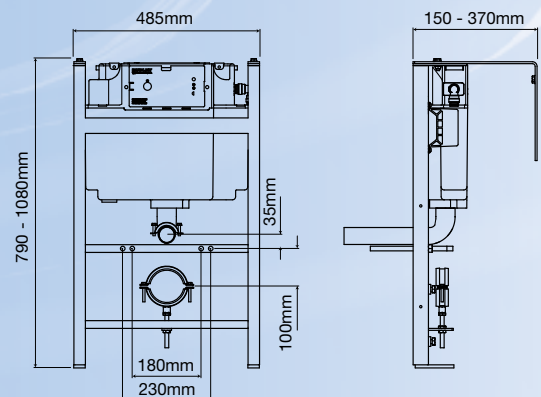
73.5mm dia. and 73.5mm sq. For panels/walls up to 125mm thick



NEW 51mm dia. Palm Push Button

Technical Information

- Strong steel tubular section construction
- Flushbend and pan connector clamps
- Blue painted finish with galvanised wall and floor brackets
- Passes 400Kg load test based on EN 997



A frame which adjusts from 820mm – 1,120mm high will be available shortly. Please enquire.