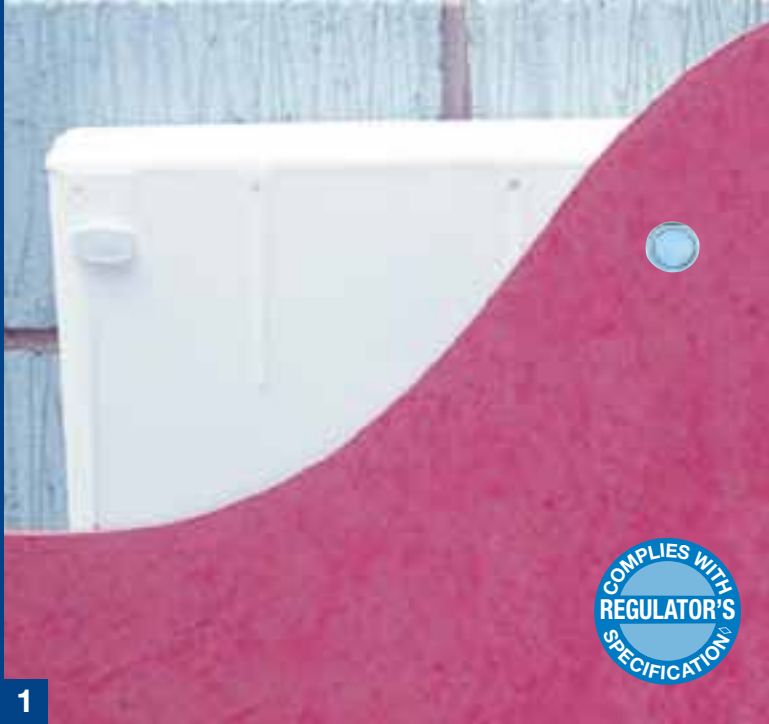


# DUDLEY PUSHFLO

concealed cistern



1

COMPLIES WITH  
REGULATOR'S  
SPECIFICATION



2



3



4

## Product Description

The Dudley Pushflo is a concealed WC cistern that offers an extremely flexible solution to most installations.

The Pushflo's compact dimensions make it the ideal choice for use with wall-hung WC pan supports and other ducted specifications. It can also be easily installed into fitted bathroom furniture.

Constructed from high-impact polystyrene, the cistern comes complete with a Dudley flush valve for 6 litre flushing that complies with the Regulator's Specification.

The Pushflo is operated with a pneumatic push button that can be positioned up to 750mm away from the cistern - making it suitable for most concealed applications.

## Uses

Wherever low-level concealed WC cisterns are required, the Dudley Pushflo can be installed with confidence.

The cistern is perfect for use with wall-hung WC pan supports such as the Dudley Illusion Universal (inset 2), the Dudley Illusion Compact Universal, Illusion Freestanda (inset 3) or the Dudley Sentinel bracket (inset 4).

The Dudley Illusion Universal is a revolutionary frame for wall-hung WC pans. The Dudley Illusion Freestanda can be used where no suitable rear wall fixing is available. Both systems have a strong steel tubular section construction, adjustable floor and wall fixing brackets and pre-drilled pan fixing holes and bolts. The Sentinel bracket is a cost-effective and installer-friendly cast iron alternative.

In addition, the Pushflo fits neatly into 500mm wide x 200mm deep fitted bathroom units. (For a solution designed specifically for fitted bathroom furniture please refer to the Dudley Vantage concealed cistern).

# DUDLEY PUSHFLO

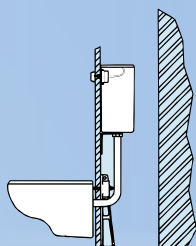
## concealed cistern

### Special Features

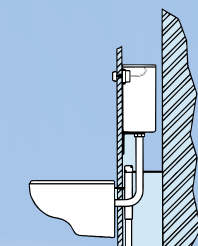
#### Designed with flexibility in mind:

The Dudley Pushflo can be easily screwed directly onto a wide range of materials and its design offers the versatility of fixing to front or rear ducted walls.

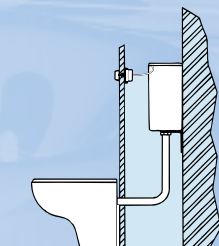
### Installation Examples



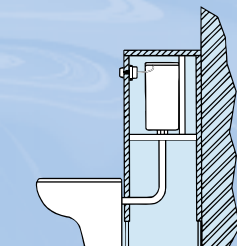
Front or rear wall fixing with Dudley Sentinel bracket & wall-hung WC pan



Front or rear wall fixing with Dudley Illusion frames & wall-hung WC pan



Front or rear wall fixing with floor-mounted WC pan



Fixing into fitted bathroom furniture

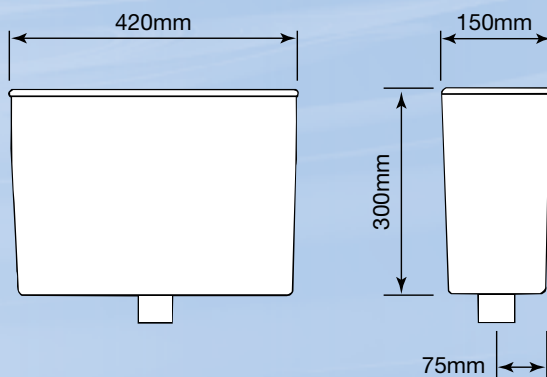
The Pushflo can also be used with most wall-hung WC pan supports (including Dudley Illusion Universal, Compact Universal and Freestanda frames and Dudley Sentinel brackets), and installed into bathroom furniture.

The Pushflo is operated with a pneumatic push button - available in chrome plated (CP), gold-effect, white and 'mixage' finishes. The Dome push button is suitable for use with walls and partitions whilst the Cone and Petite push buttons can be used with thinner partitions and furniture panels (up to 25mm thick). A vandal resistant metal button is also available.



The pneumatic air tube is protected by a corrugated sleeve. The cistern comes with an internal overflow warning pipe and can be supplied with side or bottom connections.

### Technical Information



- Cistern body constructed from high-impact polystyrene
- Suitable for low level concealed installations
- 6 litre Dudley flush valve
- Internal overflow warning pipe
- Optional bottom connections
- 390 x 260mm 90 degree tight radius flushbend
- Can be fitted to front or back wall of a duct
- Pneumatic push-button operation
- Corrugated sleeve helps protect the air tube
- Choice of Dome (thicker walls/partitions), Cone/Petite (partitions/furniture panels up to 25mm thick) and vandal resistant (see page 26) push buttons
- Compact design
- †Internal parts comply with the Regulator's Specification