



Applications

Wall-hung bidet support frame designed for use against flat walls and in corners.

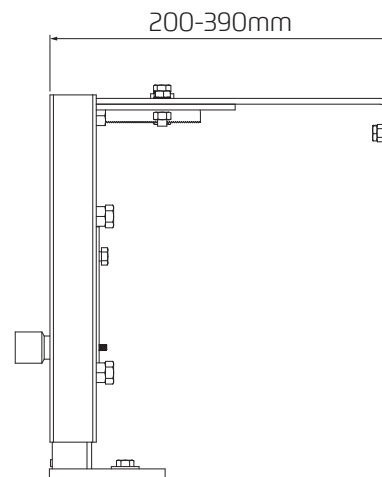
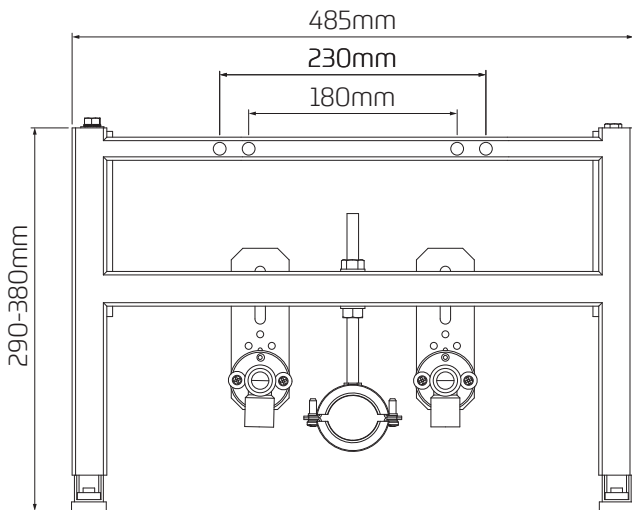
Ideal for domestic and commercial applications.

Features

- ~ Wall and floor fixing brackets can be fixed through 180 degrees and 360 degrees respectively to provide further flexibility
- ~ Legs adjust offer bidet height fixing flexibility
- ~ Strong steel tubular section construction
- ~ Blue powder coated finish & zinc plated wall & floor brackets



Dimensional Data



Technical Data

Fixing orientation	Wall and floor fixed
Code	314887