



### Applications

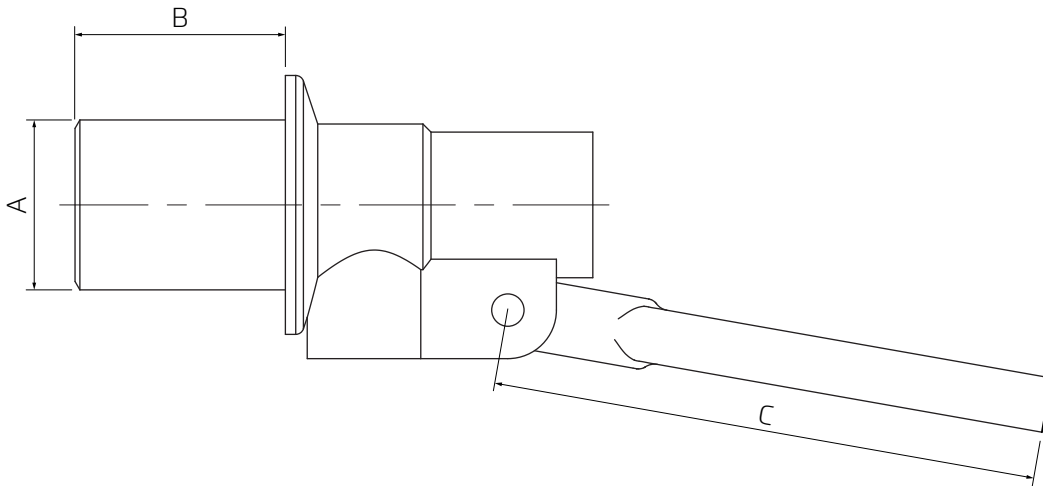
Cistern/tank inlet valve for export use only. For use in both domestic and commercial environments.

### Features

- ~ One piece brass body with integral BSP tail
- ~ High Pressure
- ~ Manufactured from high quality brass materials
- ~ 5/16" Thread



### Dimensional Data



### Technical Data

	(A) Inlet	(B) Tail Length	(C) Lever Length	Float Thread
366827	½" BSP [1/8" Bore]	1 ⅛"	11 ¾"	5/16" BSW
366908	¾" BSP [1/4" Bore]	1 ¼"	13 ½"	5/16" BSW