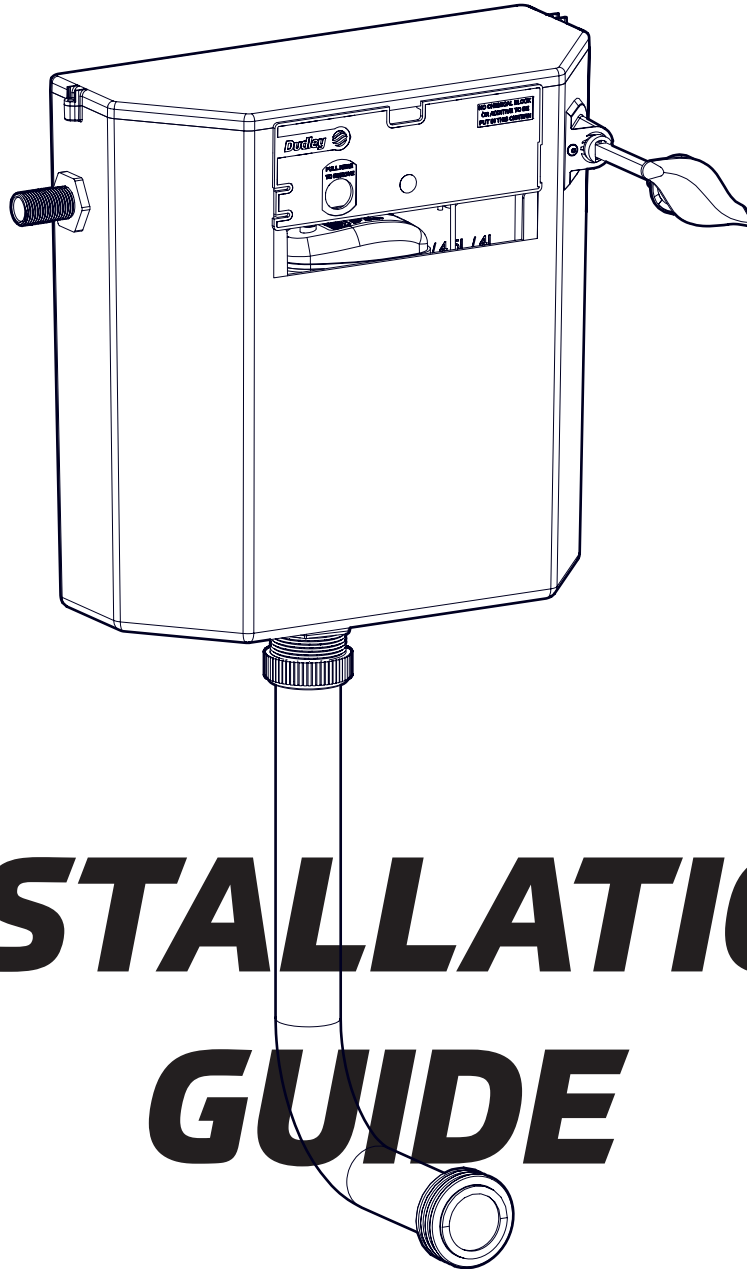


Dudley



OSMO F1

FRONT ACCESS CONCEALED SYPHONIC CISTERN



INSTALLATION GUIDE

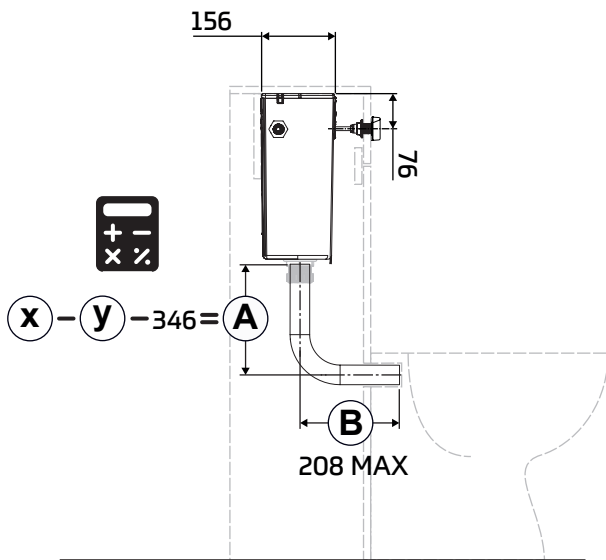
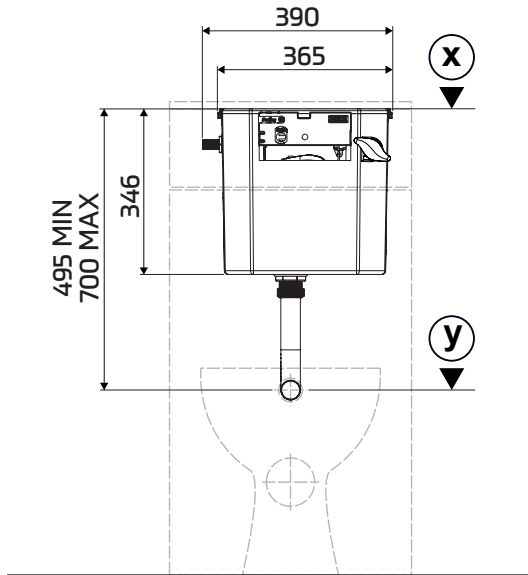


TYPE
Give us your feedback for
the OSMO F1 via email



REFERENCE DIMENSIONS

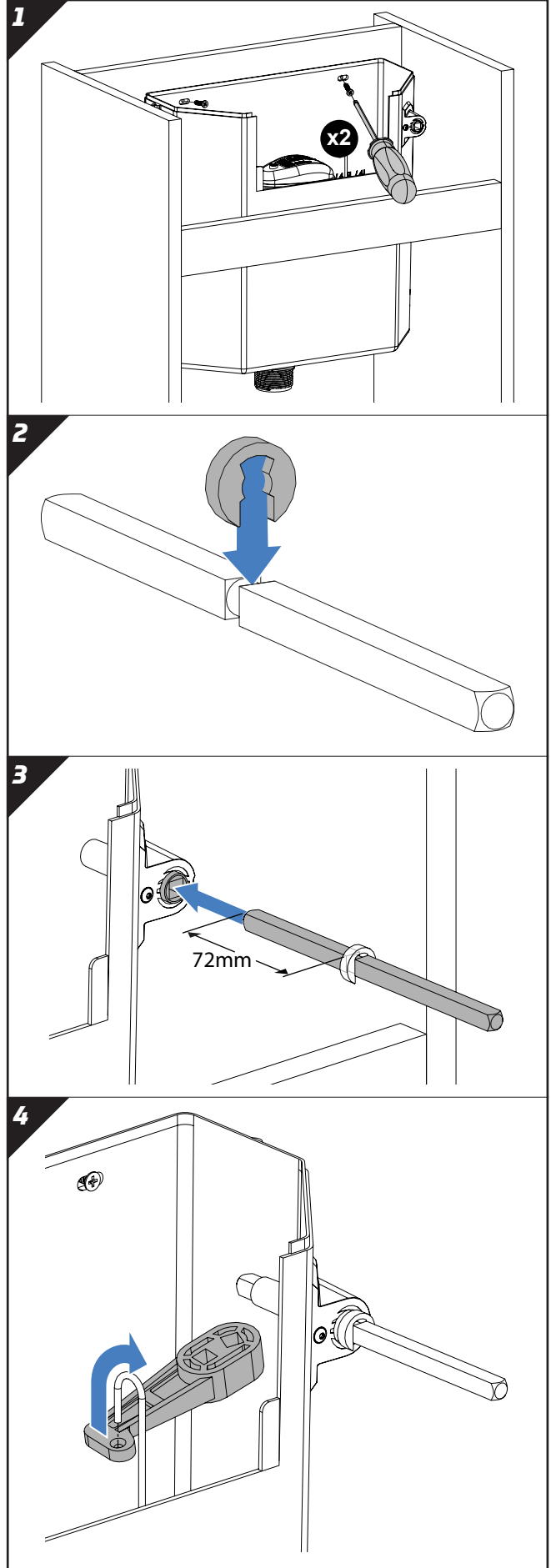
Note: Please refer to the supplied furniture drilling template where the unit is not pre-drilled.

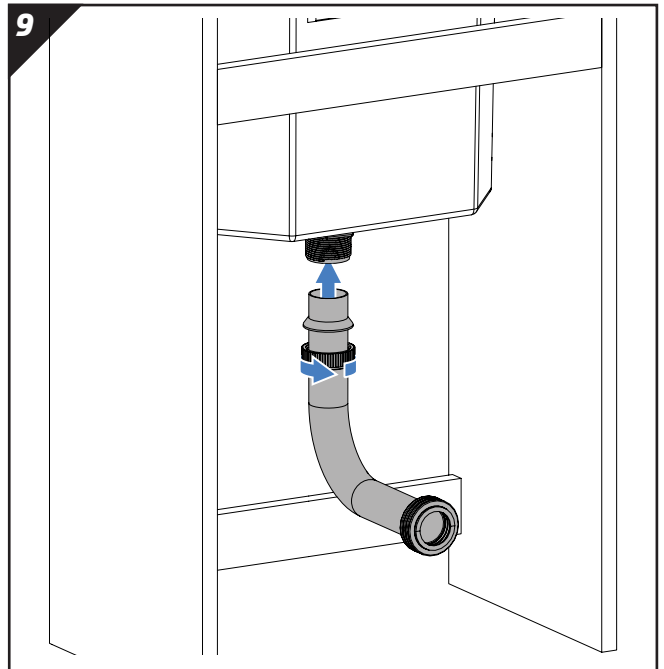
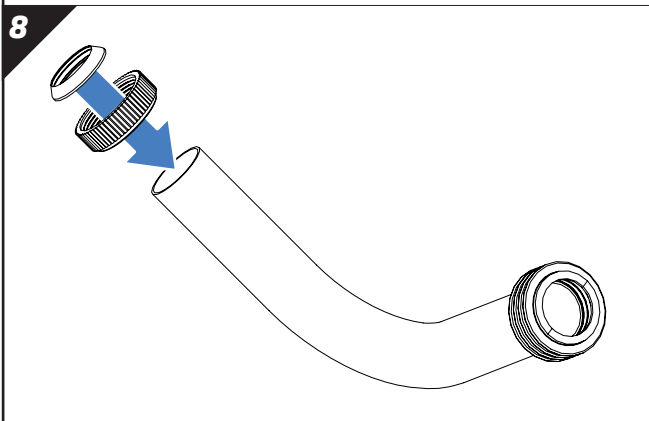
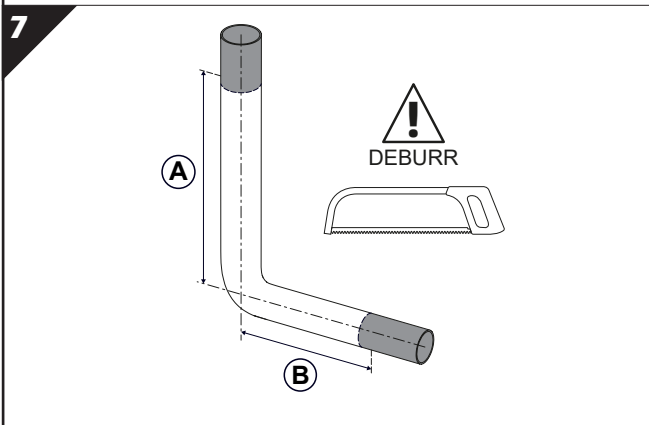
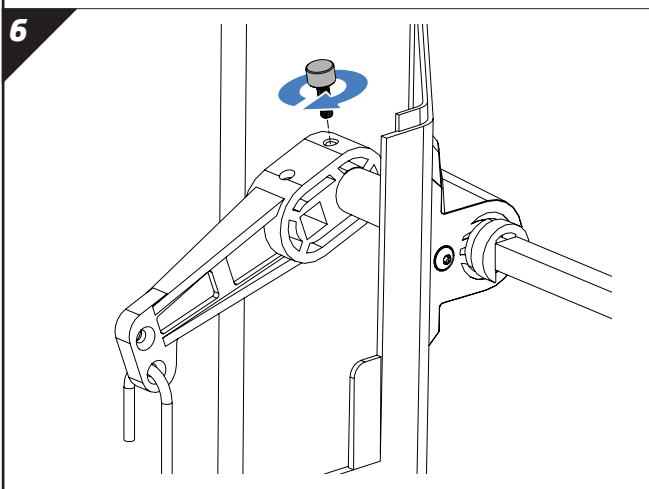
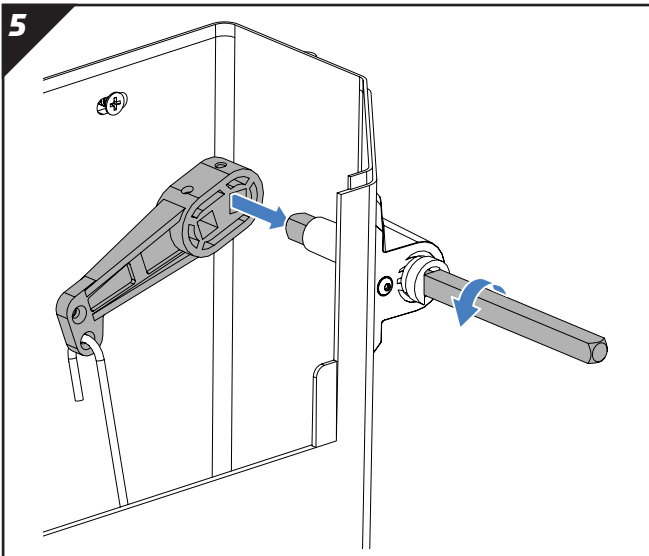


IMPORTANT NOTES

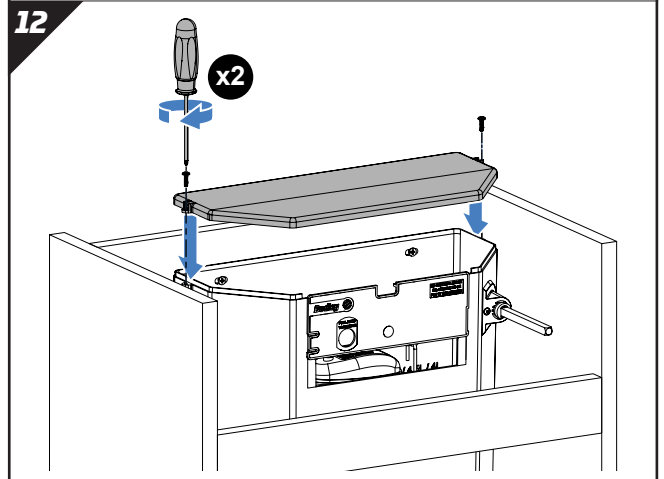
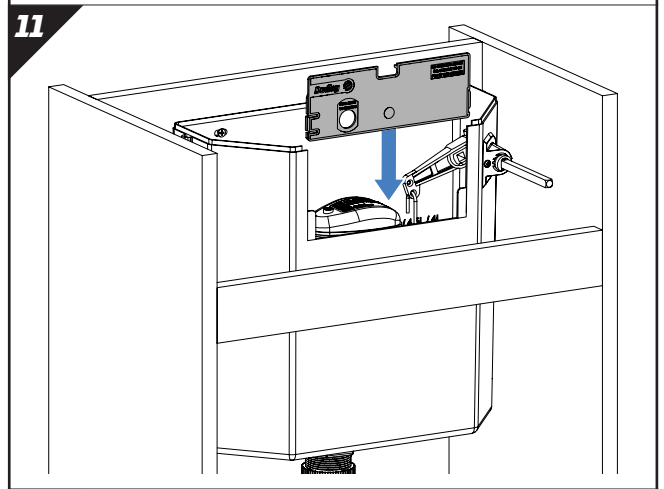
In addition to reference dimensions, allowance must be made for isolation valve and piping.

No sealing compound, paste, flux or solvent to be used in contact with plastic or rubber surfaces to avoid damage. Rubber washers will provide adequate seal. PTFE tape may be used on threads. Do not over tighten plastic nuts. No chemical block / additive to be used in this cistern.

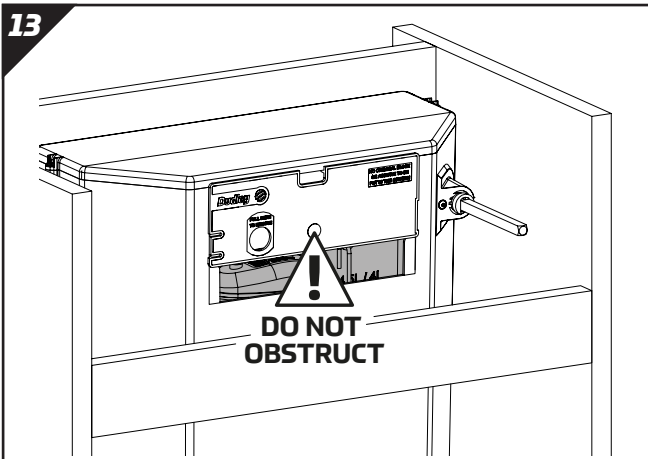




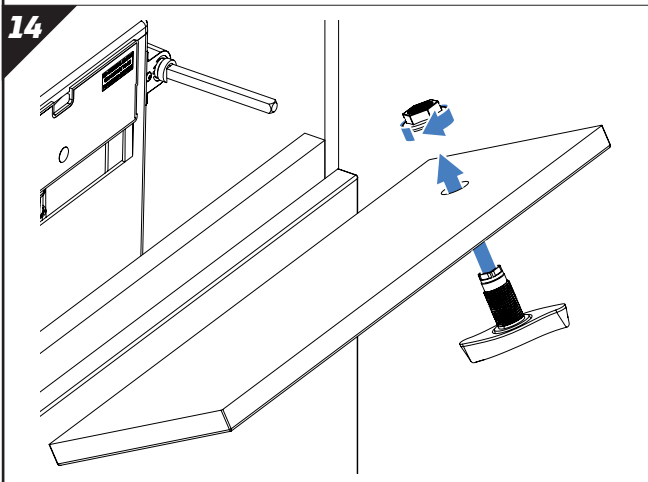
- 10**
- ~ Connect the WC pan and water supply.
 - ~ Turn on water supply.
 - ~ Check the water level aligns to that marked within cistern, fine adjust if necessary.
 - ~ Check installation for leaks.



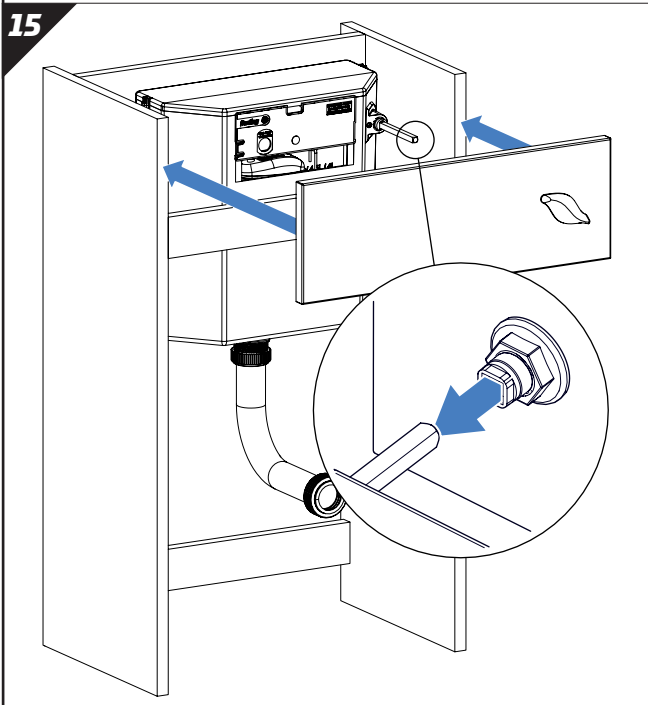
13



14



15



16

