



Applications

Our most advanced syphon yet, ideal as a leak free, push-button replacement for valve-operated systems. Compatible with all Dudley two-piece syphons

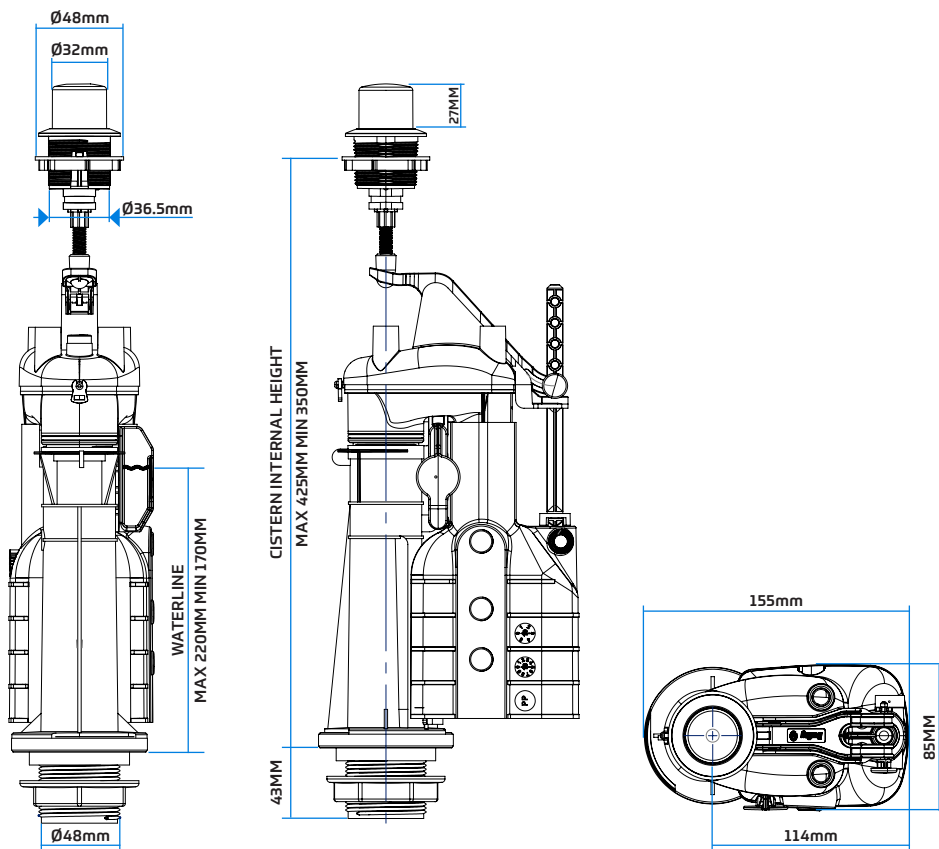
Water Saving

- ~ Single push-button delivers a half flush when pressed & released, and a full flush when pressed and held
- ~ 6/7/9 litre volume adjustment ensures optimum flush performance with every use

Features

- ~ Light touch push button actuation; mechanism is simple to set up and takes up little space within the cistern
- ~ Height adjustable design (7.1/2" [191mm] to 9.1/2" [241mm]) for various cistern sizes
- ~ 1.1/2" downleg outlet tail, comes complete with 2" outlet conversion washer
- ~ Standard demountable Turbo syphon design enables easy servicing in the future
- ~ Cistern Internal Height: Min: 350mm - Max: 425mm
- ~ Water Level: Min: 170mm - Max: 220mm

Dimensions



Technical Data

Outlet	1½" BSP (48mm)
Flush Volume	6/7/9 Litre Convertible
Sizes	Adjustable from 191mm (7½") to 241mm (9½") in ½" increments
Cistern Type	Low Level Close Coupled
Product Code	377390