

Dudley



PEARL

DUAL FLUSH MINI FLUSH PLATE



PEARL



PEARL
PALM



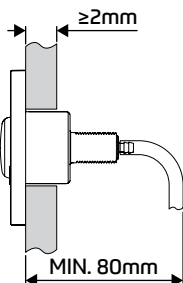
METAL
PEARL

IMPORTANT NOTES

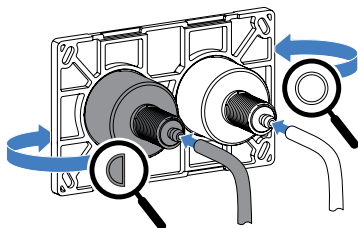
Do not use any cleaning agents on this product. Clean using a non-abrasive cloth and warm water only.

Mark out prior to installation to ensure adequate space and clearance for products.

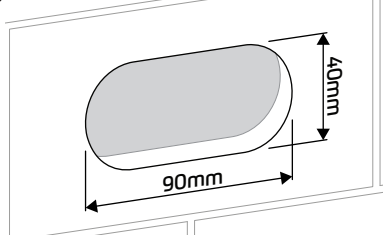
REFERENCE DIMENSIONS



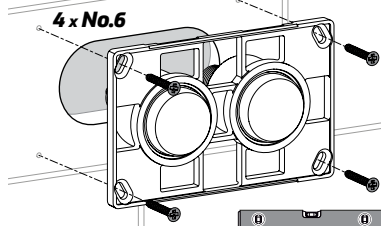
1



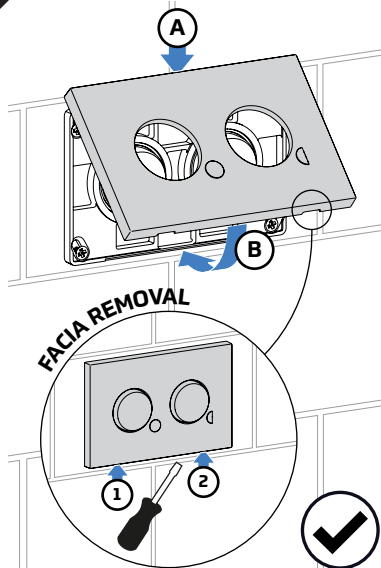
2



3



4



5

Final Installation Checklist

- ~ Check flush valve instructions for correct valve connection procedure.
- ~ Ensure air tubes are connected securely and routing is free from kinks and acute bends.
- ~ Check full and reduced flush operation.
- ~ Visit www.tyde.co.uk for service & maintenance information.

TYDE

295 Birmingham New Road
Dudley, West Midlands
United Kingdom
DY1 4SJ

A Thomas Dudley Business

t +44 (0)121 557 5411

f +44 (0)121 557 5345

e info@tyde.co.uk

w www.thomasdudley.co.uk/tyde

TYDE
fluid
movement