



114 NS ELONGATED FLOAT

Plastic elongated float with brass thread insert

Applications

Grade H non-spherical float for use in systems occasionally exposed to temperatures of up to 93°C.

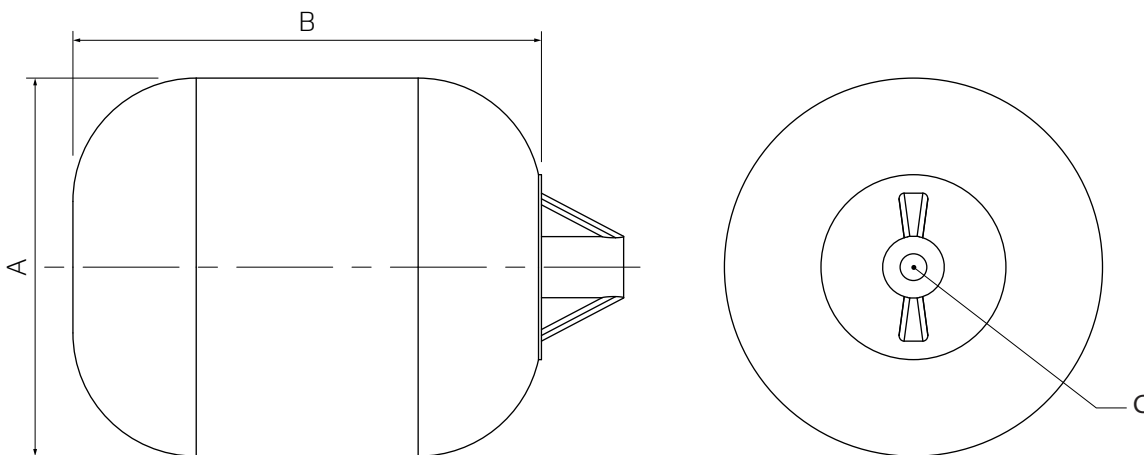
Fits part 1, 2 and 3 ball valves.

Features

- ~ Plastic Construction
- ~ Elongated cylindrical float
- ~ Brass thread insert
- ~ Grade H (Red)
- ~ Compliant to BS 2456



Dimensional Data



Technical Data

	(A) Diameter	(B) Length	(C) Thread Size	BS Type	Min. Lifting Effort
370210	92mm	114mm (4½")	5/16"	114 NS	2.9 N