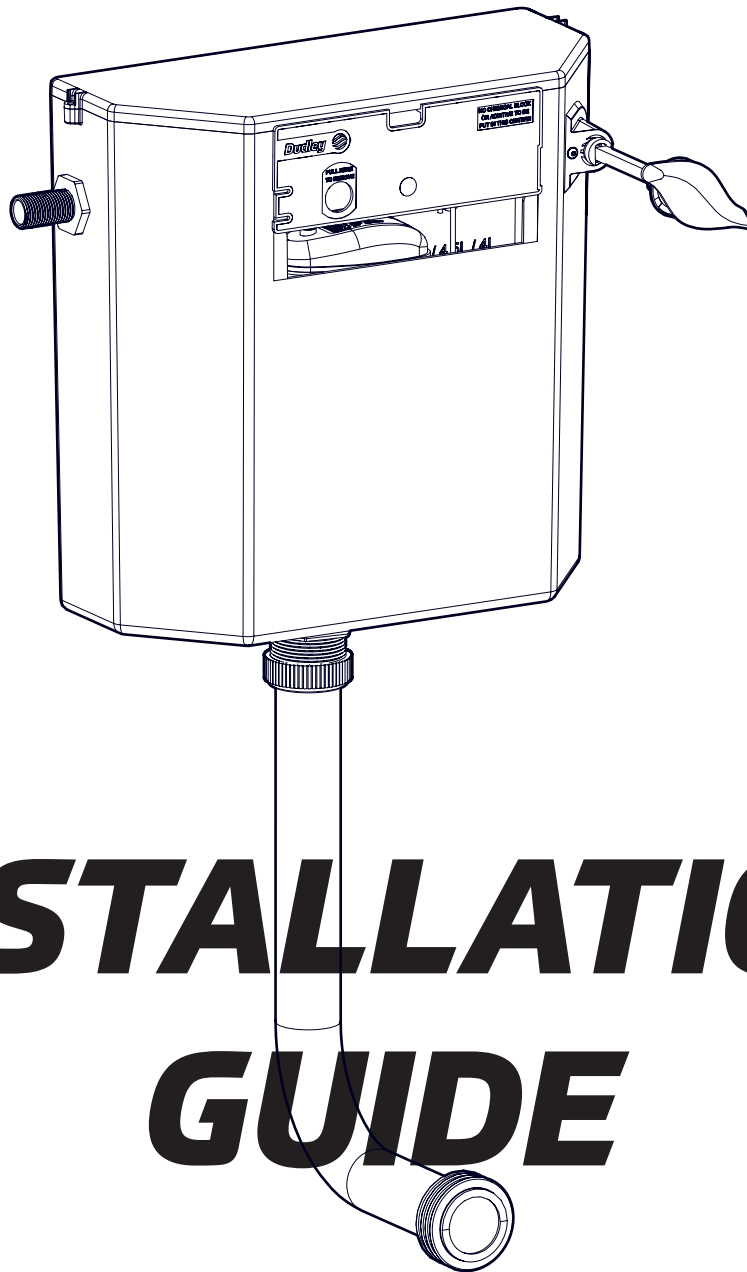


Dudley



OSMO F1

FRONT ACCESS CONCEALED SYPHONIC CISTERN



INSTALLATION GUIDE



Scan this QR code, provide some feedback and be entered in our monthly prize draw!

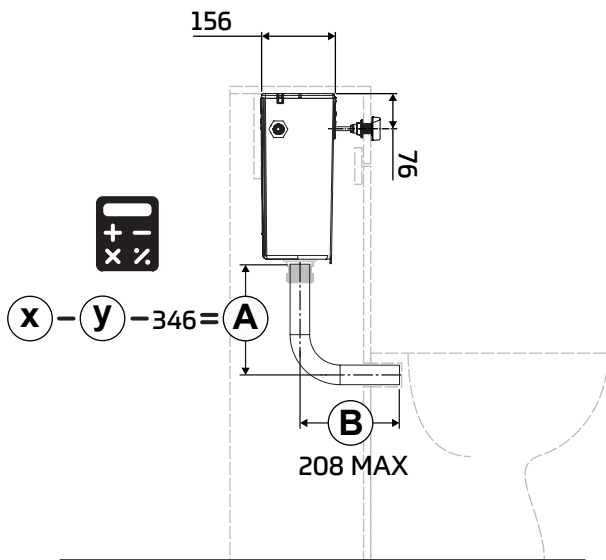
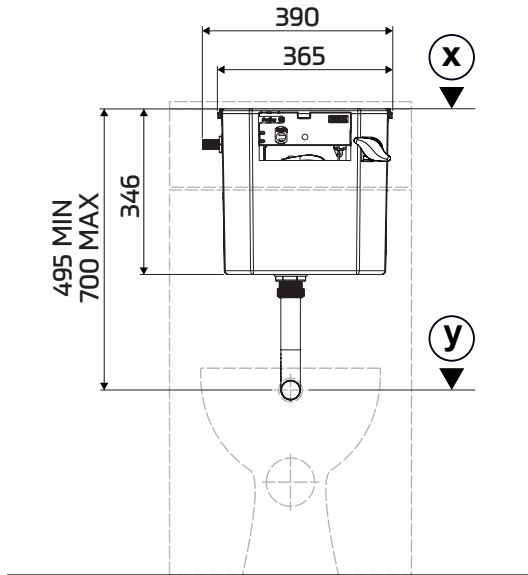


T H O M A S
D U D L E Y



REFERENCE DIMENSIONS

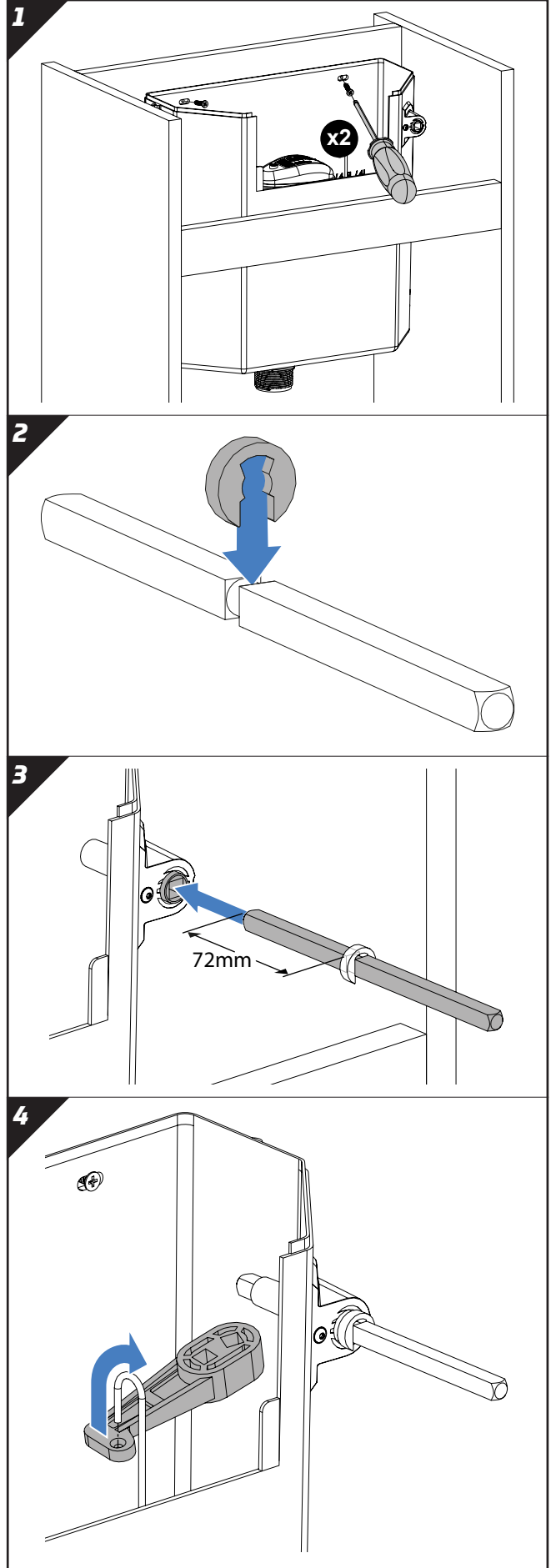
Note: Please refer to the supplied furniture drilling template where the unit is not pre-drilled.

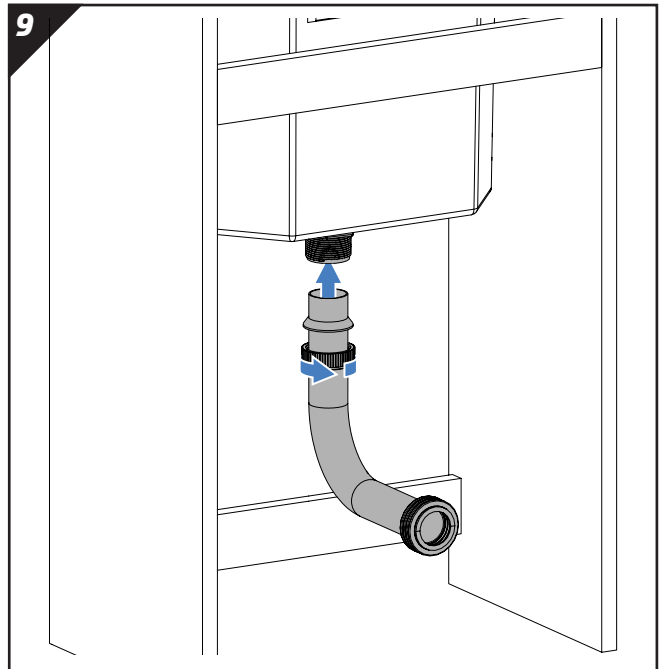
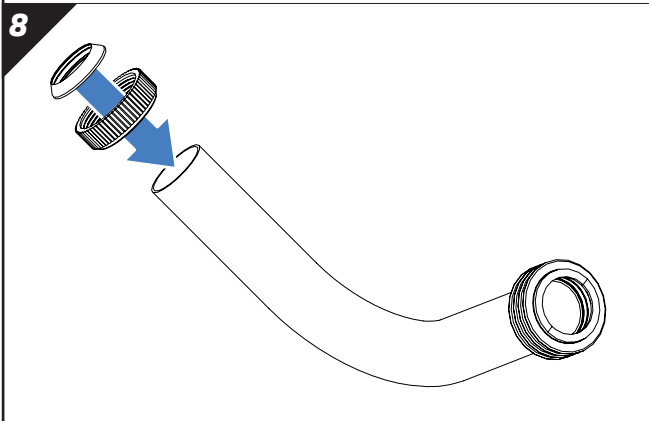
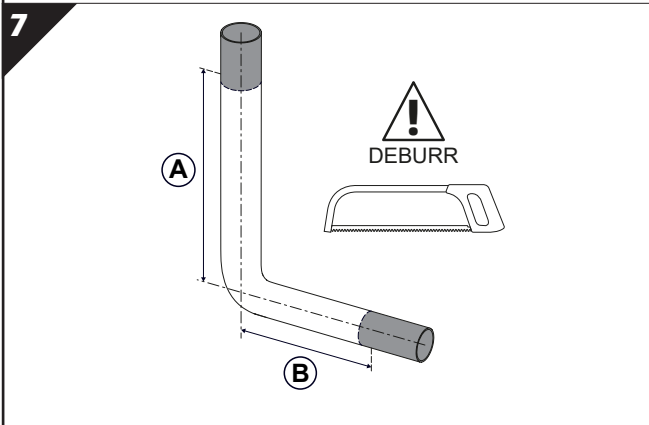
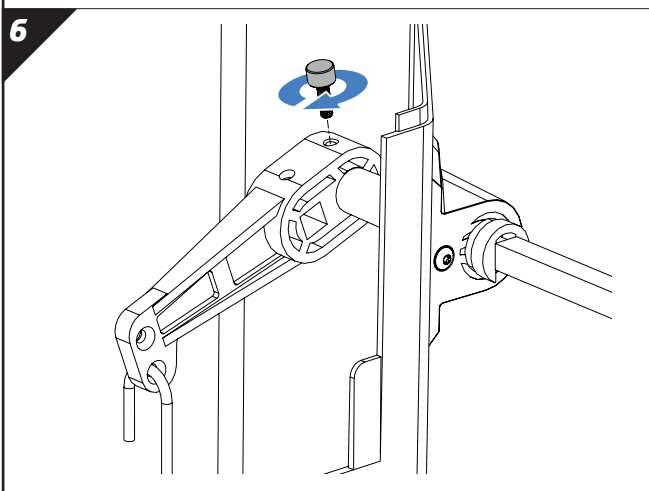
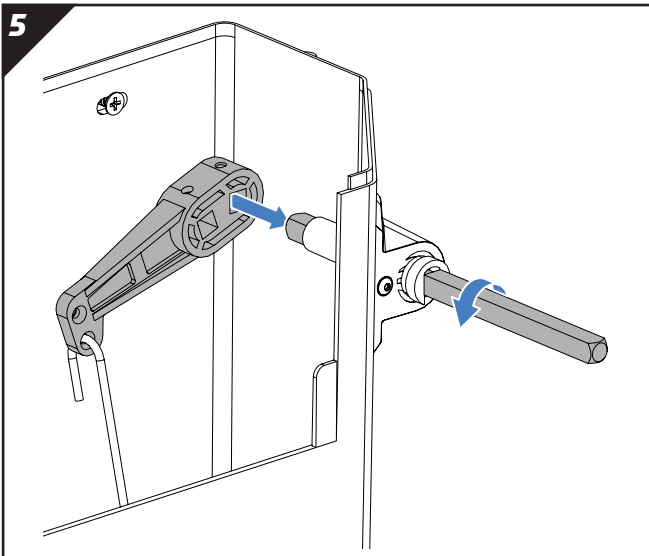


IMPORTANT NOTES

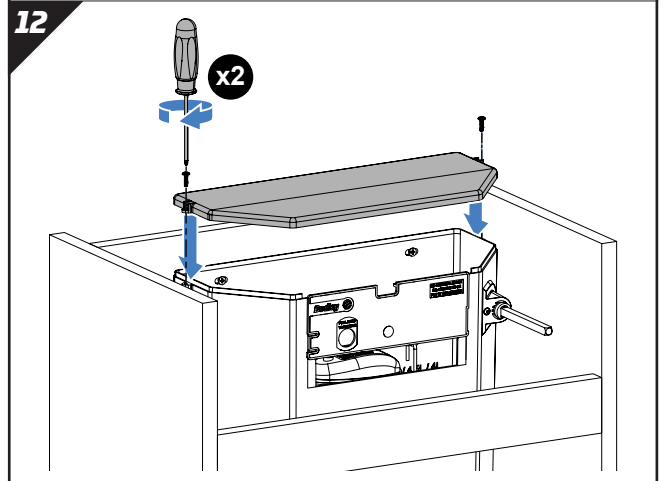
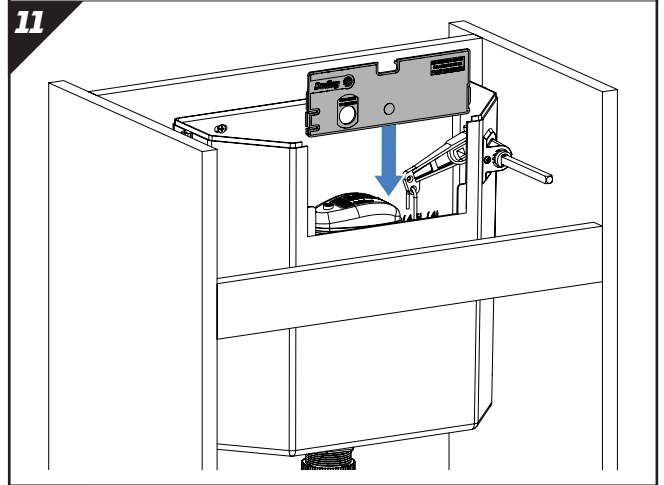
In addition to reference dimensions, allowance must be made for isolation valve and piping.

No sealing compound, paste, flux or solvent to be used in contact with plastic or rubber surfaces to avoid damage. Rubber washers will provide adequate seal. PTFE tape may be used on threads. Do not over tighten plastic nuts. No chemical block / additive to be used in this cistern.

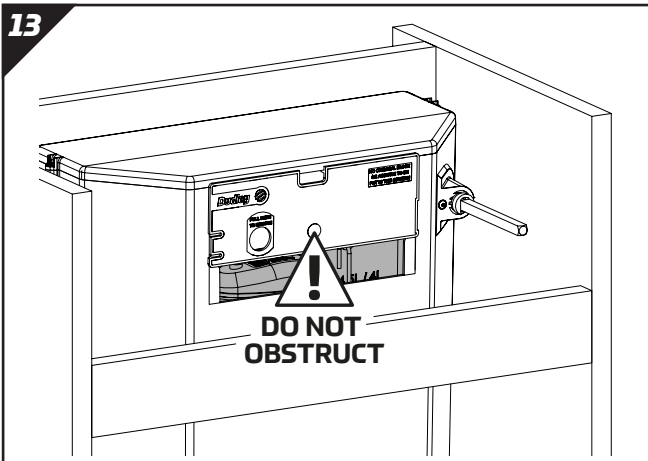




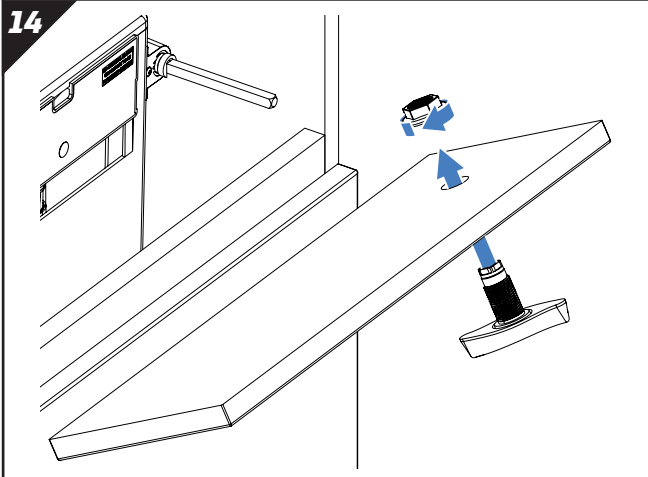
- 10**
- ~ Connect the WC pan and water supply.
 - ~ Turn on water supply.
 - ~ Check the water level aligns to that marked within cistern, fine adjust if necessary.
 - ~ Check installation for leaks.



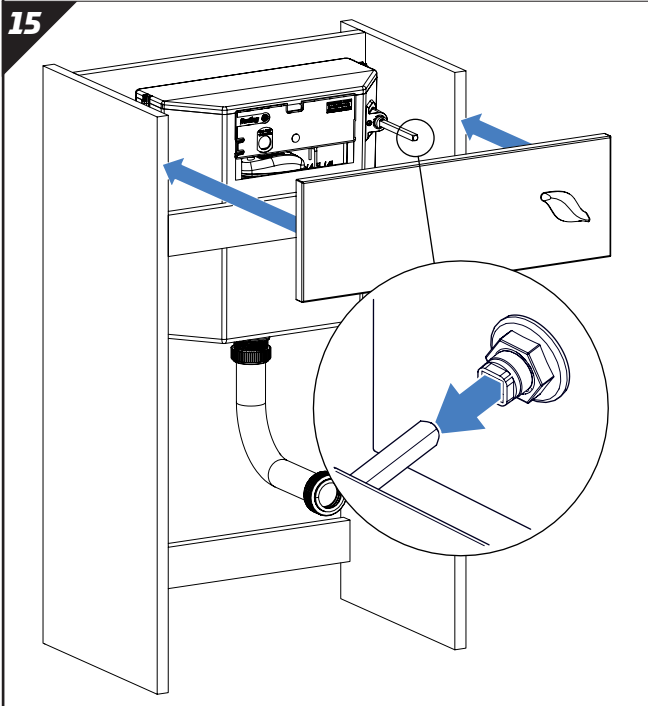
13



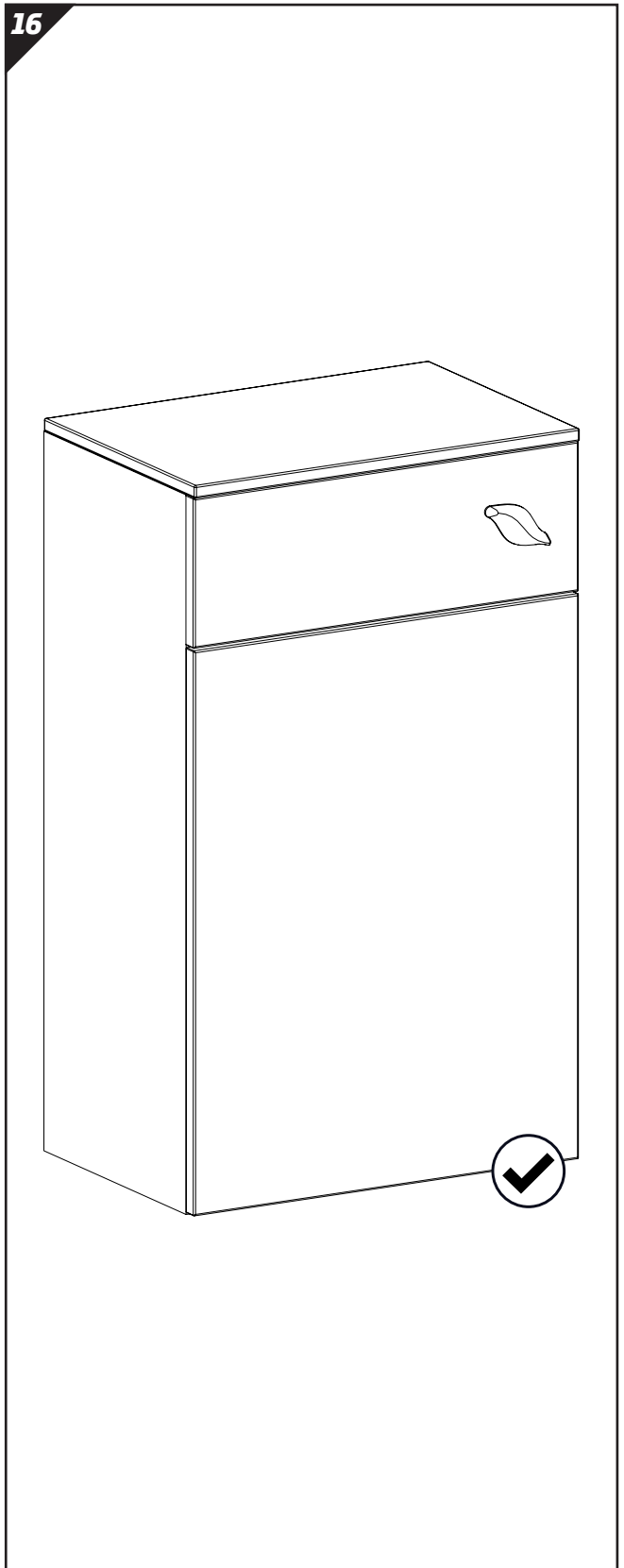
14



15



16



© 2025 TD_R371929_15102 Iss G

Thomas Dudley
 295 Birmingham New Road
 Dudley, West Midlands
 United Kingdom
 DY1 4SJ

t +44 (0)121 557 5411
f +44 (0)121 557 5345
e info@thomasdudley.co.uk
w www.thomasdudley.co.uk/plumbing

T H O M A S 

D U D L E Y 