

# Specification Brochure

**Dudley** 



Helping you find **the right solution for your project**



# Welcome to our NEW Specification Brochure

At Thomas Dudley, we are dedicated to building long-term partnerships grounded in our core values of **Teamwork, Partnership, and Family**. Our commitment to these principles has enabled us to collaborate with a diverse range of specifiers, delivering high-quality solutions across various market sectors.

Whether it's Residential, Commercial, Custodial, or Off-site Construction, we pride ourselves on meeting the unique needs of each sector with precision and excellence.

Join us as we continue to innovate and provide reliable, top-tier products that stand the test of time.

You can find our website at: [www.thomasdudley.co.uk](http://www.thomasdudley.co.uk)



British design,  
British build,  
Family business



6,000

Trusted plumbing parts



100

Years experience

## Professional Market-Leading Bathroom & Washroom Solutions

We leverage the expertise and products of our five brands - **Dudley, Epson, Beta, Resan, and Cronex** - to offer a comprehensive solution for all your plumbing needs. Each brand features a specialised range of products, making it easy for you to find exactly what you're looking for, quickly and efficiently.

- Experienced specification technical support managers
- Personal visits to discuss the project brief in detail, time-scale and your planned design concepts and requirements
- Samples availability for sample rooms and trials
- Ongoing project management from concept design to handover and close
- On-site commissioning, training and support for contractors and facilities managers
- UK manufacturer; spare parts readily available
- Auto-cad Revit BIM objects to BIM level 2 and 3 (PAS 1192)
- Made in Britain initiative backing UK manufacturers
- WRAS approved products, an in-house Test facility that undertakes testing to National standards and UK Water Regulations see pages 16 & 17
- Envirofacturing™ initiative ensuring that we offer an environmentally responsible source of supply
- Over 500 products registered under the European Water Label Scheme
- Certifications in BS EN ISO 9001 (Quality Management), BS EN ISO 14001 (Environmental Management) and BS EN ISO 45001 (Occupational Health & Safety Management)
- Our extensive expertise, cutting-edge technology and external accreditations enable the Dudley range to be specified with confidence



1. Residential



2. Commercial



3. Custodial



4. Education



5. Healthcare



6. Sports & Leisure



7. Assisted Living



8. Off-site Construction

# Contents

## Industry insights

- 6 THOMAS DUDLEY HISTORY
- 8 PROFESSIONAL SUPPORT
- 10 INNOVATIONS
- 12 LEAKY LOOS

- 14 CUTTING EDGE TECHNOLOGY
- 16 TESTING AND COMPLIANCE
- 18 NEW & FEATURED PRODUCTS

01

## Wall-Hung Sanitaryware Frames

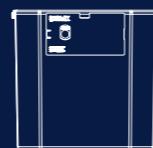


- 24 INTRODUCTION
- 26 WC PAN SUPPORT
- 33 BIDET

- 34 BASIN SUPPORT
- 35 SUPPORT BRACKETS

02

## Concealed Cisterns



- 36 INTRODUCTION
- 38 eco cistem™
- 40 OSMO T1
- 42 VANTAGE
- 44 OSMO F1

- 46 PRESTIGE
- 48 MINIFLO
- 50 PHANTOM
- 52 PUSHFLO

03

## Buttons & Plates



- 54 INTRODUCTION
- 56 DUALFLUSH BUTTONS
- 63 SINGLE FLUSH BUTTONS

- 68 DUALFLUSH PUSH PLATES
- 76 INFRA-RED PLATES
- 80 VANDAL-RESISTANT BUTTONS AND PUSH PLATES

04

## Touch-Free



- 84 INTRODUCTION
- 86 TAPS

- 92 SOAP DISPENSERS
- 94 WC CONTROLS

05

## Compatibility



- 96 BUTTON, CISTERN & FRAME COMPATIBILITY

06

## Urinal Flushing



- 98 INTRODUCTION
- 100 URINAL CONTROLS

- 104 AUTO CISTERNS
- 106 ACCESSORIES

07

## Resan Sanitaryware Range



- 108 INTRODUCTION
- 110 WC PANS & TOILETS
- 118 SINKS & BASINS
- 126 URINAL UNITS

- 128 MIRROR FRAMES & SHELVING
- 132 INTELLIGENT CONTROLS
- 136 OPTIONS

# Thomas Dudley Limited was established in 1920

In 1936, Thomas Dudley sailed on the Queen Mary's maiden voyage to America and visited a number of foundries to help formulate his vision for the future of the company he set up in 1920.



2024. Thomas Dudley Plumbing launches Quantum - the World's first push button syphon!

## 2020

Thomas Dudley Plumbing Products is launched as we merge Thomas Dudley Ltd and Masefield Beta Ltd. and the company celebrates 100 years of success



## 2012

Masefield-Epson Ltd and Beta Ballvalves merge to become Masefield-Beta Ltd.



## 2003

Dudley Vantage, the first front access cistern, is launched



2006. Beta Ballvalves acquired by Thomas Dudley Ltd.

## 1989

Masefield-Epson Ltd purchased by Thomas Dudley Ltd.



## 1984

Leading the way Dudley Turbo 88, the first 2 piece syphon is launched



## 1971

Our purpose-built bathroom products factory opens and our first exposed plastic cistern is unveiled



## 1940-50

The Foundry grows rapidly and supports the war effort during World War 2



## 1920

Mr Thomas Dudley set out in business and set up his own Foundry, having previous experience managing foundries around the UK



The Foundry relocates to our current Head Office site in Dudley UK

## 1936

Black rubber WC cisterns provide the foundation to the bathroom products division

## 1950's

1961. Masefield Plastimetals Ltd was founded

1968. Epson Products Ltd acquired by Masefield Plastimetals

## 1972

Masefield-Epson Ltd was formed



## 1995

1997. Automatic Syphon Manufacturer, BBS Automatic Syphons acquired by Thomas Dudley Ltd.



We celebrate 75 years of success



## 2008

1997. Ecosan Ltd is acquired by Thomas Dudley Ltd, leading to our current Resan sanitaryware range.



## 2016

2019. Dudley Hydroflo range of inlet valves complies fully with water regulations.

Cronexrabo export business is acquired by Thomas Dudley Ltd.



Thomas Dudley employs 500 people and generates revenues exceeding £50M.



# Professional Support

## Helping you find the right solutions

We specialise in providing innovative plumbing solutions for specifiers across a wide range of market sectors.

Whether you are looking for a high-grade toilet cistern frame or an innovative flushing solution we will have a range of products to meet your needs.

At Thomas Dudley, we pride ourselves on our extensive market knowledge and experience.

Our sales team alone has over 100 years of combined industry expertise, ensuring you receive the best advice and solutions. Additionally, our dedicated specification managers are committed to meeting your specific requirements with precision and care.

Our technical customer support package is unmatched. We offer dedicated phone lines and in-person site visits, providing you with comprehensive guidance through any technical issues you may encounter. Our highly experienced team is always ready to assist you, ensuring a smooth and efficient experience.

### MEET THE TEAM

#### Specification Managers

Check out our team of dedicated Specification Managers who are always on hand to assist with whatever you need



### DID YOU KNOW?

#### Project Support

Our team will be able to assist in creating the exact specification required, to ensure a smooth transaction throughout and are trained to identify potential issues and offer solutions; working closely with our clients.

#### 6,000 Products

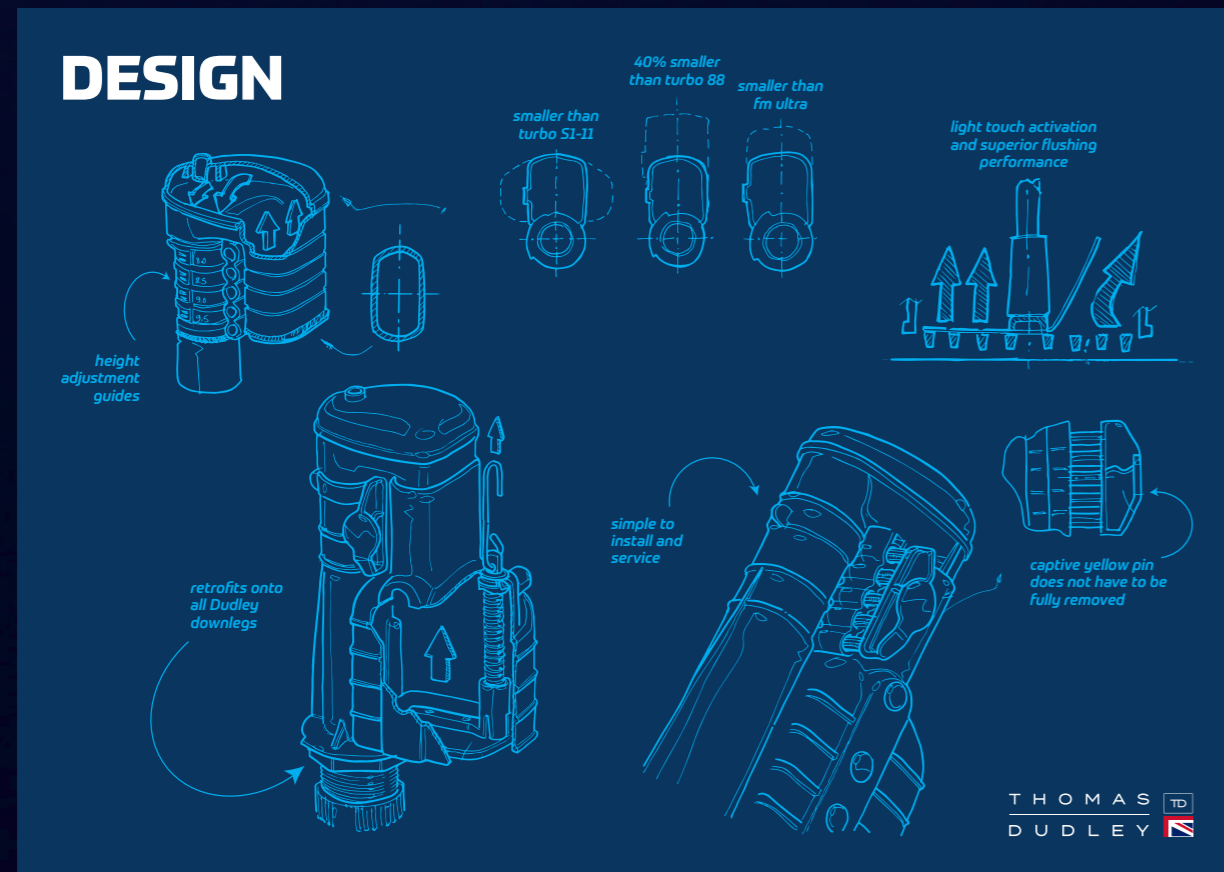
Our specification team can identify relevant product categories from our extensive range. Alternatively they can work with clients on creating bespoke solutions, to meet exact needs.

#### Water Regulations Compliant

We test our products for compliance against UK Water Regulations in our own UKAS accredited Test Laboratory to then be submitted to WRAS for Approval & Certification.

# Innovations

## DESIGN



height adjustment guides

40% smaller than turbo 88

smaller than turbo 51-11


smaller than fm ultra

light touch activation and superior flushing performance

retrofits onto all Dudley downlegs

simple to install and service

captive yellow pin does not have to be fully removed

THOMAS DUDLEY 



**THOMAS DUDLEY manufactures superior quality plumbing products in our dedicated and ultra-modern facilities here in the UK.**

With a range of plumbing products that are suitable for multiple markets, we take pride in being able to cater to different market segments. Due to their user-focused design, our products are both high-quality and long-lasting.

Manufactured and tested in our state-of-the-art facilities in Dudley UK; we rigorously test our products to meet stringent requirements of the UK Water Supply [Water fittings] regulations 1999. With our brand, you can be sure you're installing a high-quality, fully tested product.

Meet The Experts




Our History




Testing Facilities



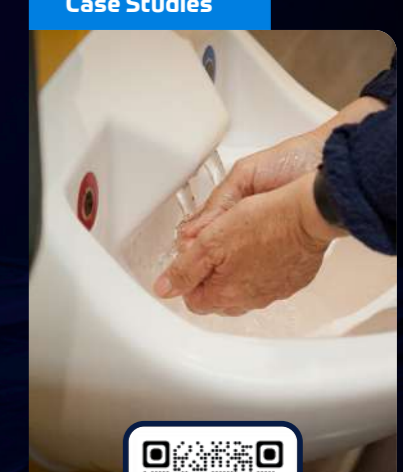

How To




FAQs




Case Studies




# Leaky Loos - Why Syphons are the answer?

*In the world of plumbing, efficiency and reliability are paramount.*

One of the most significant advancements in toilet technology is the introduction of the toilet syphon. This innovative solution addresses the persistent issue of leaks, offering a leak-free, water-saving alternative to traditional valves. Designed with both the

environment and cost-effectiveness in mind, toilet syphons are revolutionising the way we think about water conservation and plumbing maintenance. Discover why toilet syphons are the superior choice for any specification project.

## The Leak-Free Solution

Toilet syphons are the ultimate answer to the leaky loo crisis. Unlike traditional valves, syphons are designed to be leak-free, ensuring that water stays where it should be – in the cistern until it's needed. This innovative technology eliminates the common issue of leaks, which not only conserves water but also saves money and time on repairs.

## Minimum Water Wastage

With a syphon, you can be confident that every drop of water is used efficiently. The syphon mechanism ensures minimum water wastage, making it a superior choice for those committed to water conservation. This is particularly important in today's world, where every effort to save water counts.

## Easy Installation and Maintenance

Syphons are not only effective but also easy to install and maintain. Their straightforward design means that they can be fitted quickly and require minimal upkeep, reducing the hassle for both installers and users. This makes them a cost-effective solution for any plumbing system.

## Cost-Effective and Reliable

Switching to a syphon from a valve can significantly reduce the risk of leaks, which are a major cause of water wastage and high utility bills. By fitting a toilet syphon, you can reduce leaks to practically zero, offering a cost-effective and reliable solution that benefits both the environment and your wallet.



## The Science Behind Syphons

So, how does a syphon succeed where a valve fails? To quote our Innovation Director, "...through an elegant symphony of physics and engineering, aptly termed – Syphonic Technology...". A syphon has the unique ability to cause a liquid to flow upward, acting like a miniature water lift. This upward flow is crucial for preventing leaks, as it ensures that water only moves when it is supposed to, unlike valves that can fail and cause continuous leaks.

## A Practical Solution for the Leaky Loo Problem

A valve lacks the water lift technology of a syphon and is prone to leaks, which is the enemy of water conservation. Simply

put, no upward flow means no leak-proof guarantee. Our syphon technology offers a practical solution to the infamous leaky loo problem that aligns with DEFRA's proposed changes to water regulations. For all those involved in the building and maintenance sectors, facilities management, and water industries, it's time to sit up and take notice. The future of leak-free, water-saving flushing technology is available now – the reliable, leak-free toilet syphon!

# We are at the Cutting Edge of Technology – Quantum

## Introducing the World's first push button syphon!

We are proud to announce the launch of Quantum, the ground-breaking all new push button operated leak-free syphonic action toilet flush valve. This state-of-the-art product represents a significant leap forward in toilet flushing technology, offering unparalleled efficiency, reliability and water conservation.

### Quantum's key Features:

**Innovative Pushbutton Operation:** Quantum is the first button operated mechanically activated syphon and comes equipped with a user-friendly pushbutton mechanism [available in various styles], providing a convenient and intuitive flushing experience. The modern design of the pushbuttons enhances user interaction while ensuring a reliable and consistent flush with every use.

**Leak-Free Syphonic Technology:** Designed and engineered in the UK with precision, Quantum incorporates advanced syphonic technology that lifts water with no power assistance in order to eliminate leaks and minimise water wastage. The leak-free design enhances the durability of the valve and contributes to water conservation efforts.

**Water Conservation:** We are committed to sustainability, and the new Quantum Leak-Free Syphonic Toilet Flush Valve reflects that commitment. In the UK enough water is leaking from toilets in the UK to fill over 4 MILLION baths EVERY SINGLE DAY. By utilising the leak-free benefits of a syphon, coupled with the ease of the pushbutton mechanism of a flush valve, Quantum

optimises water usage by eliminating leaks without compromising performance, Quantum helps users reduce their environmental footprint and lower water bills.

**Easy Installation and Maintenance:** Designed with installers and maintenance teams in mind, Quantum boasts a hassle-free installation process and requires a vastly reduced amount of maintenance compared to a standard flush valve. This ensures that both professionals and end-users can enjoy the benefits of this cutting-edge technology with ease.

**Durable Construction:** Crafted from high-quality materials, Quantum is built to withstand the rigors of daily use. Its robust construction ensures longevity, making it a reliable and cost-effective choice for residential and commercial applications.

Commenting on the launch, our product manager noted: "We are thrilled to introduce Quantum, the first in a new line of Pushbutton Operated Leak-Free Syphonic Toilet Flush Valves, this innovative product, coupled with our Hydroflo Delay Inlet Valve, represents the biggest breakthrough in water saving for toilets. Quantum not only redefines the flushing experience but also addresses key concerns related to water conservation and reliability. Our commitment to innovation and sustainability shines through in this product, exemplifying our dedication to providing solutions that make a positive impact."



# Testing and Compliance

The Thomas Dudley Ltd Testing Laboratory is committed to providing a world class service in conformance with EN/ISO/17025:2017 with regard to the testing of WC suites and related water fittings as required by our clients.

Testing carried out on our clients behalf which we are accredited for under our UKAS scope are for conformance to:

- BS EN 14055: 2018 (Type 2)
- BS EN 997: 2018 (Type 2)
- BS 1212 pt. 2: 1990
- BS 1212 pt. 3: 1990
- BS 1212 pt. 4: 1991 (Withdrawn)
- BS 1212 pt. 4: 2016
- UK Water Regulations Test Code Sheets
- TCS 1211.15
- TCS 1411.3
- TCS 1412.1
- TCS 2111.1
- TCS 2212.3
- TCS 2213.12
- TCS 2213.14
- TCS 5011.1
- TCS 6001.1

## We operate our own UKAS accredited Test Laboratory.



### TESTING & COMPLIANCE

#### UKAS accredited Test Laboratory

We are committed to providing a world class service in conformance



### ACCREDITATION SERVICES

#### UKAS scope of accreditation

Scan here to find out more:



### WRAS TEST LABORATORY

#### Test standards

These test standards also form part of our WRAS Test Laboratory recognition agreement.

Scan here to find out more:



With over 50 years of combined experience of Product Testing and compliance Procedures, manufacturers and suppliers use our testing facilities and our technical expertise combined with our broad knowledge of UK standards and water regulations to gain market access and verify product performance and compliance.

The **Water Regulations Advisory Scheme (WRAS)** is a recognised UK Water Industry approval scheme. Products approved by the scheme have been shown to comply with the requirements of the Water Supply [Water Fittings] Regulations 1999 and amendments.

Thomas Dudley Limited as a WRAS recognised Test laboratory carries out Water Regulations Testing for WC Suites, Independent WC Flushing Cisterns, WC Flushing mechanisms and WC Inlet Valves for Mechanical requirements, these test results can then be submitted to WRAS for Approval and Certification.

# New Products



## eco cistem™ Concealed Cistern

### TOILET CISTERNS // WASHROOM FILL & FLUSH

- The first cistern to re use condensate from air-conditioners to provide free water to flush toilets
- Reusing waste water with back up mains water supply; ensures that a full toilet flush is available even when usage frequency is high
- Stores 18 litres of water
- No electricity required
- If the toilet is not used for a while, surplus condensate is simply drained away
- Reduces carbon footprint by conserving water that would ordinarily go to waste, lowering overall water demand
- Considering a 1.75kw aircon unit, one of the smallest on the market, can produce over 1 litre of condensate per hour, an eco-cistem™ installation will always make substantial savings on freshwater usage



**eco-cistem™ in partnership with Thomas Dudley, uses the condensation produced by air conditioning units to flush toilets. Until now, this free, sustainable source of water has gone to waste.**

- The world's most environmentally friendly toilet cistern
- Combines sustainable design with smart functionality

Product	Code
eco-cistem™	377372



Visit our website



\*Approved fittings\*

## eco-cistem™ Case Study One City Park, Bradford

**41 eco-cistem™ units installed**  
**Estimated annual water savings: 600,000 litres**

One City Park is a landmark commercial office development in the heart of Bradford - marking the city's first new office building in over 25 years. Completed in 2024 ahead of the Bradford City of Culture 2025 celebrations, the five-storey, 56,000 sq ft Grade A facility sets a new benchmark for sustainable design and digital connectivity.

The building has achieved:

- Gold SmartScore certification\*
- Gold WiredScore certification\*\*
- BREEAM Excellent rating\*\*\*

G&H was appointed by main contractor Caddick Construction to deliver full mechanical, electrical, and public health (MEP) design and build services. Their work included the integration of rooftop photovoltaic panels, air source heat pumps, and ten EV charge points - each contributing to the building's high-performance credentials.



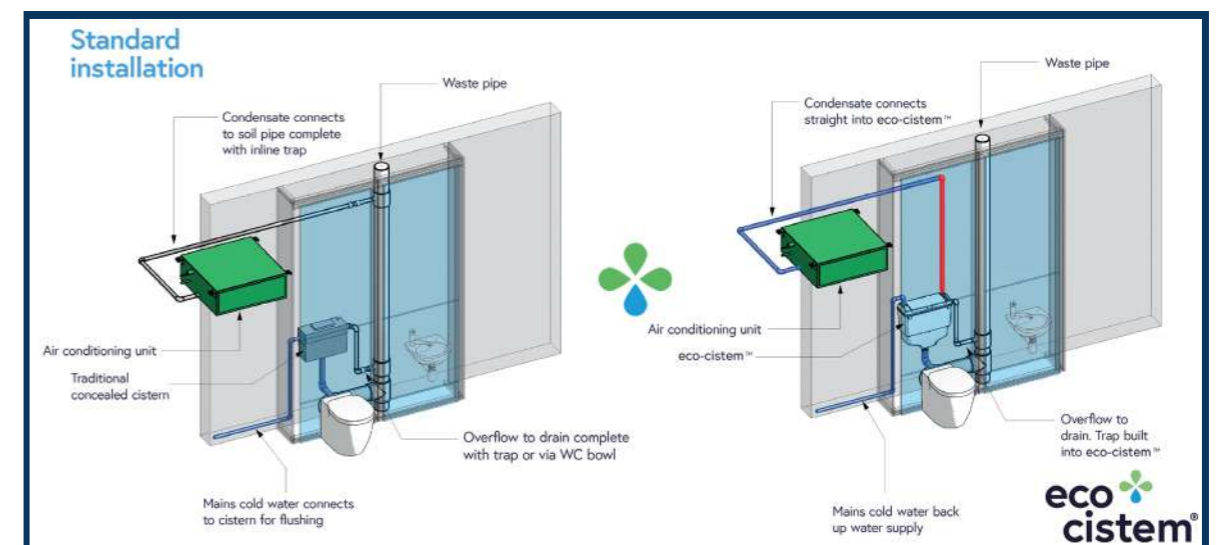
To further reduce environmental impact, G&H specified and installed 41 eco-cistem™ units across the building - approximately 12 per floor. These innovative cisterns repurpose grey condensate water generated by the building's air conditioning system, using it to flush toilets instead of drawing on mains water.

Each eco-cistem™ unit features:

- A patented 18-litre twin-chamber cistern
- 12-litre upper chamber for grey water storage
- 6-litre lower chamber for flushing
- Automatic prioritisation of grey water, with mains backup only when needed

This smart reuse of condensate water ensures consistent flushing performance while dramatically reducing freshwater consumption.

**"The eco-cistem™ units are an ideal way to harness the grey condensate water produced by the air conditioning system," says David Davis, Pre-Construction Director at G&H. "Using our bespoke calculator, we modelled annual condensate output, flush frequency, and water costs. The result was a projected return on investment in under three years - while supporting the building's sustainability goals."**



Shown here as a single-unit install, eco-cistem™ is fully scalable—ideal for hotels, flats, and offices. Multiple units fit standard service voids, with a full design guide available at [eco-cistem.com](http://eco-cistem.com).

\* Recognises smart buildings that deliver exceptional user experience, sustainability, and future-readiness \*\* Assesses digital infrastructure, resilience, and connectivity. \*\*\* Measures environmental performance across a building's lifecycle

# New Products



## Washroom Control System

### RESAN // WASHROOM FILL & FLUSH

- A complete washroom water management system that allows control of any combination of hot and cold taps, shower outlet and WC
- Activation of all controls using either infra-red sensors or piezo buttons
- Visual display for easy programming with tactile program buttons
- Programmable run time of hot & cold taps and showers
- Programmable lock out to prevent misuse of all outlets
- Programmable manual and automatic purge and chlorination cycle
- Remote key switch option available for out of room washroom shut off [374579]
- UKCA/CE Marked

Product	Code
Washroom Control System only	374572

**Washroom Control Kit 1 - Piezo Controls c/w:**

> Washroom Control System	
> Input and Output Extension Cables	
> x1 Blue Piezo Touch Control,	
x2 Red Piezo Touch Control,	374980
x1 Silver Piezo Touch Control	
> WC Cistern Interface Control	
> x3 Solenoid Valves	

**Washroom Control Kit 2 - Infra-red Sensor Controls c/w:**

> Washroom Control System	
> Input and Output Extension Cables	
> x1 Blue Infra-red Sensor, x2 Red Infra-red Sensor,	374981
x1 Silver Infra-red Sensor	
> WC Cistern Interface Control	
> x3 Solenoid Valves	



### Specialist Settings for Custodial and Healthcare Facilities

Introducing the **NEW Dudley Resan®** Washroom Control System with 4 channels, intended primarily to control a single washroom's water outlets for use in specialist custodial and healthcare applications.



### • 4-Channel Control System

### • Versatile Activation

Visit our website



# Featured Products



## Kinetic® Intelligent Urinal Flush Control



### Multiple inlet and outlet options.

Thomas Dudley's Kinetic® Intelligent Urinal Flush Control has been engineered to enhance water management for automatic cisterns and multi-station urinal set-ups. With its sleek design and versatile functionality, the Kinetic serves as an all-in-one electronic control, ensuring efficient water usage and significant time savings in commercial washroom environments.

- Save up to 80% of water
- Flexible installation options

Finish	
White/White	327877
Grey/Grey	327878

**Kinetic Package Options**

Includes: Kinetic in White/White, 9L Dudley 'D' Auto Cistern, 2pc Sparge Pipe Set & Top Inlet Spreaders	330273
Includes: Kinetic in White/White, 13.5L Dudley 'D' Auto Cistern, 3pc Sparge Pipe Set & Top Inlet Spreaders	330274

Visit our website



### TOUCH FREE URINAL CONTROLS // WASHROOM FILL & FLUSH

- Installation flexibility; pipe, wall, or ceiling mounted
- Power options; mains, 4xAA battery, or mains 240V AC direct
- Quick and easy filter service as the valve set does not need to be dismantled
- Passive IR sensor detects user movement to provide an efficient flushing system
- Fast fill reduces scale build up
- Quick and simple set up via user-friendly buttons and intuitive software without having to continually refill and empty the automatic cistern
- 12 hour hygiene and 24 hour economy flushing modes can also be quickly configured to customer requirements
- Tamper proof design and chrome fittings are conveniently included



## Featured Products

### Quantum - World's First Push Button Syphon

#### SYPHONS // WASHROOM FILL & FLUSH

- Innovative pushbutton operation with a mechanically activated syphon, comes equipped with a user-friendly pushbutton mechanism
- Leak-Free syphonic technology designed and engineered in the UK from high-quality materials
- The leak-free design enhances the durability of the valve; contributing to water conservation efforts as we are committed to sustainability
- Optimises water usage by eliminating leaks without compromising performance
- Easy installation and maintenance
- Reliable and cost-effective choice for residential and commercial applications



Push button operation with a choice of caps; flush, slight and palm push

Product	Code
Quantum	375252



- Syphons use a unique water lift mechanism, moving water upward before gravity takes over, ensuring a leak-free flush
- No joints beneath the waterline; eliminating the primary cause of leaks and promoting water conservation

### Turbo Edge Adjustable Syphon

#### SYPHONS // WASHROOM FILL & FLUSH

- Dudley's Turbo Edge is the world's most compact syphon, guaranteed to fit more places than any others
- 6/7/9 Litre volume adjustment guaranteeing optimum flush performance
- 2-part design that enables the syphon body to be simply removed from the cistern leaving the white downleg in position
- Retrofits Dudley Downlegs over 7.5"
- The Turbo Edge is the ONLY syphon you will ever need



Product	Code
Turbo Edge	370873



### Victoria Outlet Valves - Includes NEW Valve Mate Adaptor

#### OUTLET VALVES // WASHROOM FILL & FLUSH

- Extended Dudley Outlet range; Cable, Mechanical and Lever options available
- Long life silicone seal
- Serviced in under 5 minutes
- Water Saving
- Button mounted on front or top of cistern
- Bayonet fixing allows easy access for maintenance
- Design allows for easy Adjustment



Product	Code
Victoria Cable Operated Dualflush Valve[300mm]	325648
Victoria Mechanical Dualflush Outlet Valve	373328
Victoria Lever Operated Dualflush Valve	373332



- Retrofit Dudley Victoria, FM Pro550 and WQ Kayla
- Simplify your system, 3 valves in 1 with the New Valve Mate adaptor

### Hydroflo Compact Float Valve

#### INLET VALVES // WASHROOM FILL & FLUSH

- Supplied with 'Air Gap' as standard since 2004
- Water regulations compliant replacement inlet valve for most modern ceramic and plastic cisterns. Fixed height bottom inlet valve, ensure fitment is appropriate for the size of cistern [available in sizes 8"-12"]
- Compact float will not catch on tight cistern installations
- Wide waterline adjustment range of 140mm to 220mm
- Professional ½" brass tail
- Water saving delay fill action; saves up to 0.5L of water on every flush

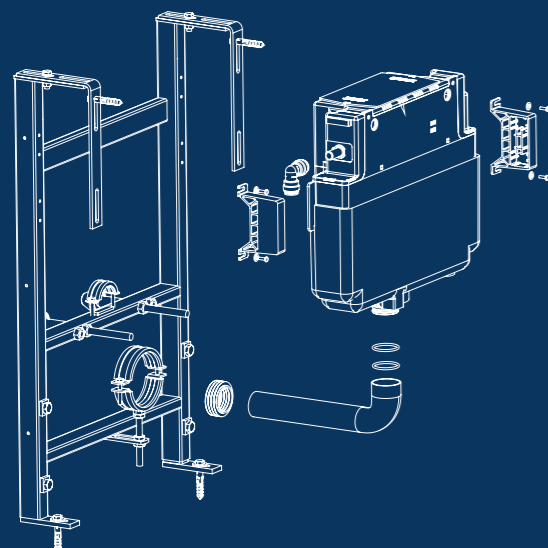


Product	Code
Hydroflo Bottom Inlet 241mm [9.5"]	334604
Hydroflo Side Inlet	324298



# Wall-Hung Sanitaryware Frames

## BETTER BY DESIGN



Whether you are planning a new project or modernising your existing bathroom our Illusion range provides a versatile and simple solution to ensure a hassle free installation with the freedom to design the optimum bathroom.

The ranges unique design offers unrivalled flexibility, is ideal for use in most domestic and commercial applications and provides a proven solution behind panelling, tiles and in fitted bathroom furniture to provide a bespoke water saving solution.

## BETTER BY DESIGN

The Dudley range of Illusion Support Frames are ideal for use with most wall-hung sanitaryware.

They also provide a proven solution behind IPS panelling and tiles and in fitted bathroom furniture.



Please see Button, Cistern and Frame Compatibility Chart on Pg 96

# 01 Wall-Hung Sanitaryware Frames

## WC Pan Support

### Illusion A™

#### FRAMES // WASHROOM FILL & FLUSH

Height adjustable wall-hung WC pan support frame designed for use against flat walls and in corners

#### Water Saving

- Provides 6/4 litre dualflush and quickly and easily converts before or after installation to 5/3 or 4/2.6 litre dualflush
- Delay fill Hydroflo inlet valve only allows cistern to start refilling once flushing is complete, saving up to 0.5L of drinking water per flush
- European Water Label Scheme registered
- Supports BREEAM

#### Features

- Unique unrivalled flexible design to enable frame height to be set between 820mm and 1078mm
- Legs adjust to offer WC pan height fixing flexibility

Type	Code
Illusion A Frame, Vantage DF Cistern, Button/Plate operated - no Button/Plate (With Jacket)	325685
Illusion A Frame, Vantage DF Cistern, Button/Plate operated - no Button/Plate (No Jacket)	325686
Dudley Illusion A with integral *Phantom™ XLT Cistern, Lever Operated - including Less Able Chrome Lever	334923

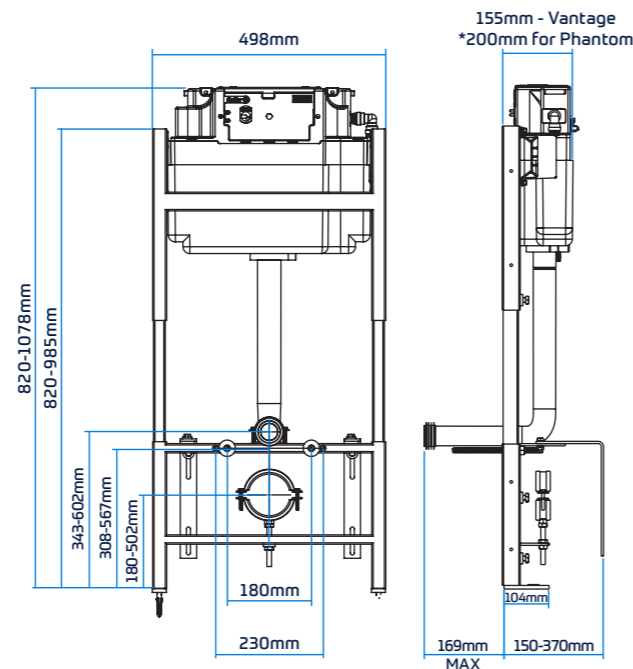


- Wall and floor fixing brackets can be fixed through 180° and 360° respectively to provide further flexibility
- Strong steel square hollow construction
- Blue powder coated finish and zinc plated wall and floor brackets
- Flush-bend and WC pan connector clamps
- Integral factory fitted Dudley Vantage cistern
- 5L & 4L mono flush is achievable

#### Options

- A polystyrene cistern insulation jacket is available
- Category 3 and Category 5 cisterns available
- Can be supplied with a wide range of pushbuttons, plates and electronic sensors
- The Illusion A frame can also be supplied with an integral Phantom, lever operated cistern

- **Unrivalled Installation Adjustability**
- **Robust Construction**

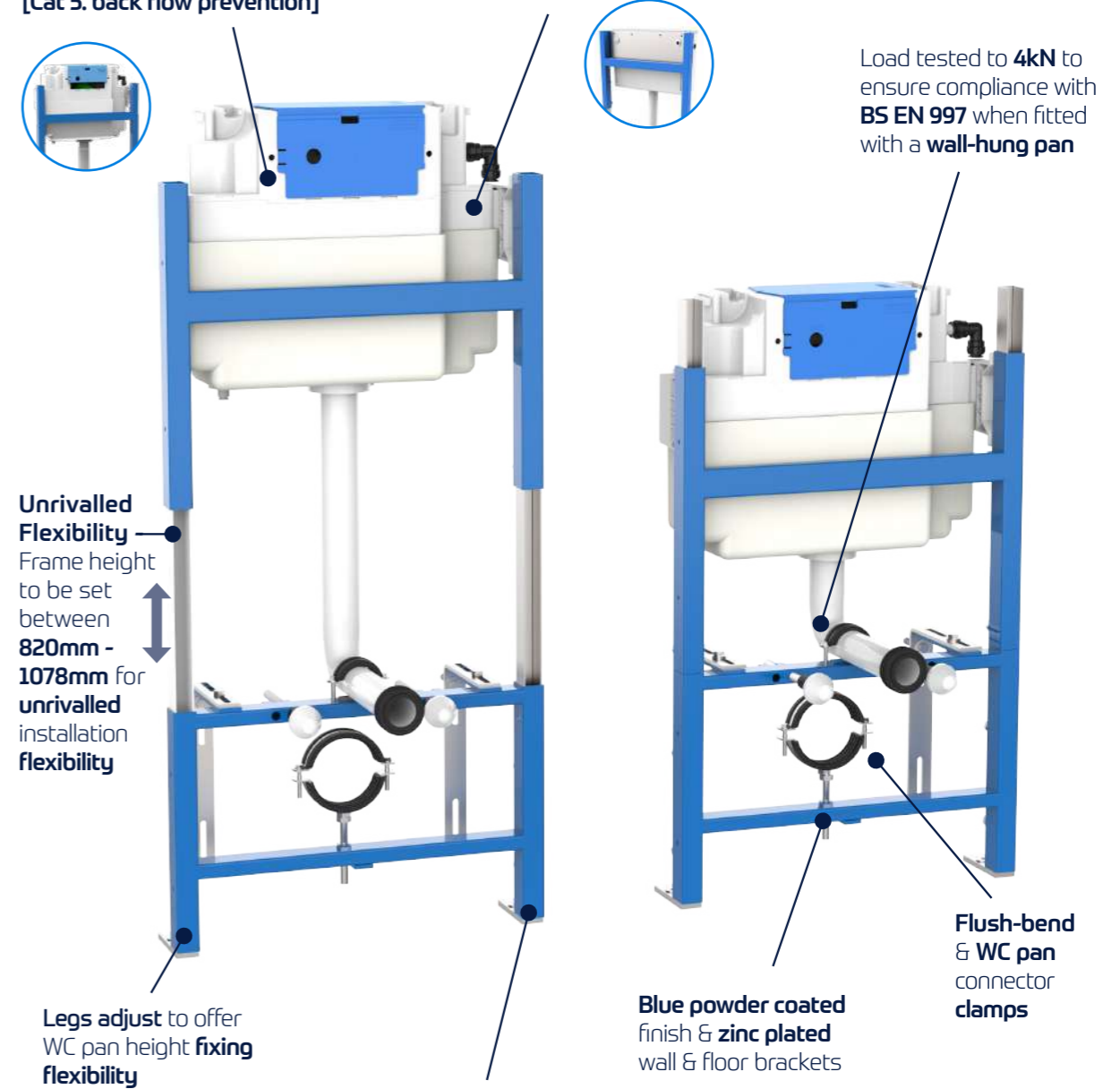


Technical Data	
Operation	Pneumatic
Pneumatic tube length	750mm
Inlet	Side
Outlet	Valve
Fixing Orientation	Wall and Floor Fixed
Height Adjustment	Min 820 - Max 1078mm
Load Capacity	Tested to 4kN

### Illusion A™

Integral factory fitted **Dudley Vantage** cistern, available as standard with **Type AG air gap [Cat 3. back flow prevention]** & also available with **Type AB air gap [Cat 5. back flow prevention]**

Can also be supplied with an integral **Phantom, lever operated** cistern



Visit our website



# 01 Wall-Hung Sanitaryware Frames

## WC Pan Support

### Illusion V™

#### FRAMES // WASHROOM FILL & FLUSH

The Dudley Illusion V wall-hung WC pan support frame is designed for use against flat walls and in corners

#### Water Saving

- Provides 6/4 litre dualflush and quickly and easily converts before or after installation to 5/3 or 4/2.6 litre dualflush
- Delay fill Hydroflo inlet valve only allows cistern to start refilling once flushing is complete, saving up to 0.5L of drinking water per flush
- European Water Label Scheme registered
- Supports BREEAM

#### Features

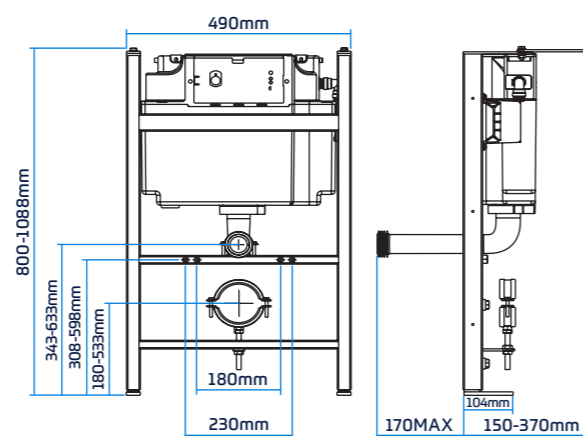
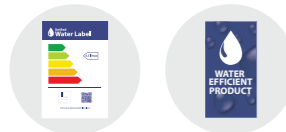
- Fixed height frame, legs adjust to offer WC pan height fixing flexibility

- Wall and floor fixing brackets can be fixed through 180° and 360° respectively to provide further flexibility
- Strong steel square hollow construction
- Blue powder coated finish & zinc plated wall & floor brackets
- Flush-bend and WC pan connector clamps
- Integral factory fitted Dudley Vantage cistern
- 5L & 4L mono flush is achievable

#### Options

- A polystyrene cistern insulation jacket is available
- Category 3 and Category 5 cisterns available
- Can be supplied with a wide range of pushbuttons, plates and electronic sensors

Type	Code
Illusion V frame - with jacket no button or plate	323063
Illusion V frame - non jacket no button or plate	323139



Technical Data	
Operation	Pneumatic
Pneumatic tube length	750mm
Inlet	Side
Outlet	Valve
Fixing Orientation	Wall and Floor Fixed
Load Capacity	Tested to 4kN

### Illusion V™

Integral factory fitted **Dudley Vantage** cistern, available as standard with **Type AG air gap [Cat 3. back flow prevention]** & also available with **Type AB air gap [Cat 5. back flow prevention]**

Load tested to **4kN** to ensure compliance with **BS EN 997** when fitted with a **wall-hung pan**



Legs adjust to offer WC pan height fixing flexibility

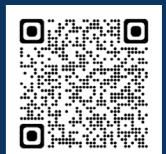
Wall and floor fixing brackets can be fixed through 180° and 360°

Strong steel square hollow construction

Flush-bend & WC pan connector clamps

Blue powder coated finish & zinc plated wall & floor brackets

Visit our website



# 01 Wall-Hung Sanitaryware Frames

## WC Pan Support

### Illusion Universal™ / Compact Universal™

#### FRAMES // WASHROOM FILL & FLUSH

Height adjustable wall-hung WC pan support frames designed for use against flat walls, in corners, perfect for bathroom furniture and other confined spaces.

- Strong steel square hollow construction
- Illusion Compact Universal comes with a width of 345mm; perfect for bathroom furniture and other confined spaces

#### Options

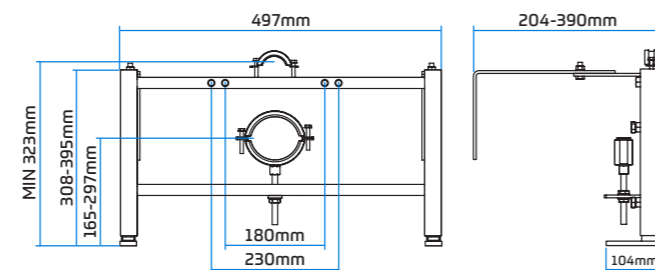
- Can be installed in conjunction with all Dudley concealed cisterns to provide a tailor made solution for every project

#### Features

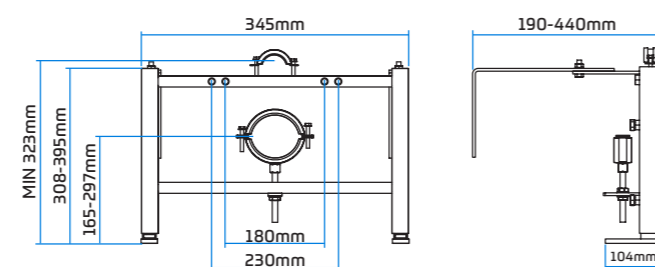
- Comes with flush-bend and WC pan connector clamps
- Legs adjust to offer WC pan height fixing flexibility
- Wall and floor fixing brackets can be fixed through 180° and 360° respectively to provide further flexibility

Product	Code
Dudley Illusion Universal	314802
Dudley Illusion Compact Universal	323082

Dudley Illusion Universal™



Dudley Illusion Compact Universal™



#### Technical Data

Fixing Orientation	Wall and Floor Fixed
Load Capacity	Tested to 4kN

### Illusion Universal™

Strong steel square hollow construction

Load tested to **4kN** to ensure compliance with **BS EN 997** when fitted with a **wall-hung pan**

Legs adjust to offer WC pan height fixing flexibility

Flush-bend & WC pan connector clamps

Wall and floor fixing brackets can be fixed through **180°** and **360°**

Blue powder coated finish & zinc plated wall & floor brackets

Visit our website



### Illusion Compact Universal™

Strong steel square hollow construction

Load tested to **4kN** to ensure compliance with **BS EN 997** when fitted with a **wall-hung pan**

Flush-bend & WC pan connector clamps

Legs adjust to offer WC pan height fixing flexibility

345mm width, ideal for confined spaces

Wall and floor fixing brackets can be fixed through **180°** and **360°**

Blue powder coated finish & zinc plated wall & floor brackets

Visit our website



## 01 Wall-Hung Sanitaryware Frames WC Pan Support

### Illusion Freestanda™

#### FRAMES // WASHROOM FILL & FLUSH

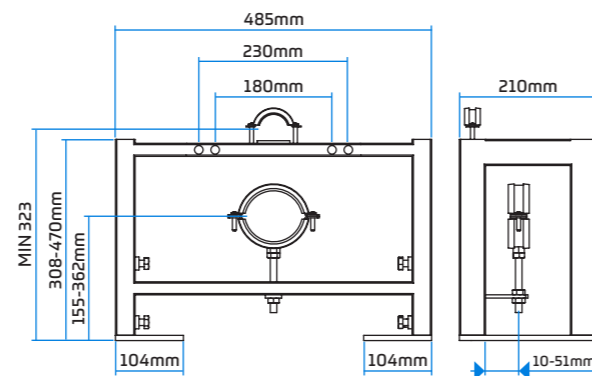
Free-standing height adjustable wall-hung WC pan support frame. Can be used against flat walls and in corners

#### Features

- Sturdy floor fixing brackets remove the need for rear wall fixing
- Legs adjust to offer WC pan height fixing flexibility
- Strong steel square hollow construction
- Blue powder coated finish & zinc plated wall & floor brackets
- Flush-bend and WC pan connector clamps

#### Options

- Can be installed in conjunction with all Dudley concealed cisterns to provide a tailor made solution for every project



Product	Code
Dudley Illusion Freestanda	316233

Technical Data	
Fixing Orientation	Floor Fixed

## 01 Wall-Hung Sanitaryware Frames Bidet Support

### Illusion Bidet™

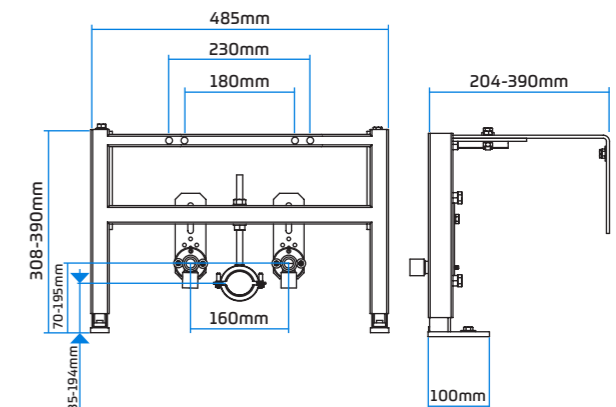
#### FRAMES // WASHROOM FILL & FLUSH

Wall-hung bidet support frame designed for use against flat walls and in corners.

Ideal for domestic and commercial applications

#### Features

- Wall and floor fixing brackets can be fixed through 180° and 360° respectively to provide further flexibility
- Legs adjust to offer bidet height fixing flexibility
- Strong steel square hollow construction
- Blue powder coated finish & zinc plated wall & floor brackets



Product	Code
Dudley Illusion Bidet	314887

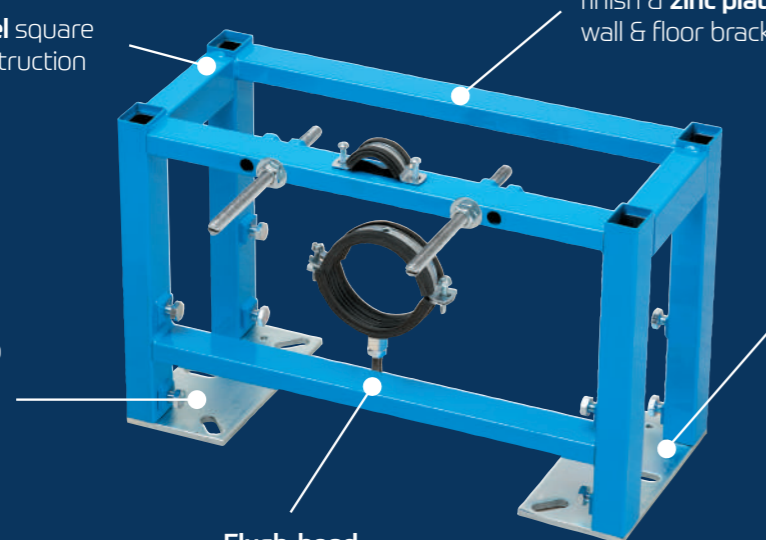
Technical Data	
Fixing Orientation	Wall and Floor Fixed
Load Capacity	Tested to 4kN

### Illusion Freestanda™

Strong steel square hollow construction

Blue powder coated finish & zinc plated wall & floor brackets

Legs adjust to offer WC pan height fixing flexibility



Sturdy floor fixing brackets remove the need for rear wall fixing

Flush-bend & WC pan connector clamps

Visit our website

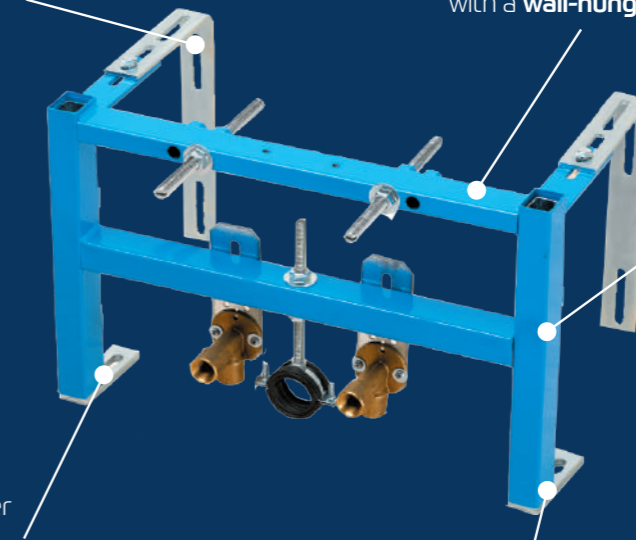


### Illusion Bidet™

Strong steel square hollow construction

Load tested to 4kN to ensure compliance with BS EN 997 when fitted with a wall-hung pan

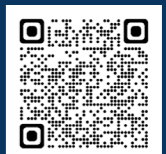
Legs adjust to offer bidet height fixing flexibility



Blue powder coated finish & zinc plated wall & floor brackets

Wall and floor fixing brackets can be fixed through 180° and 360°

Visit our website



## 01 Wall-Hung Sanitaryware Frames Basin Support

### Illusion Basin™

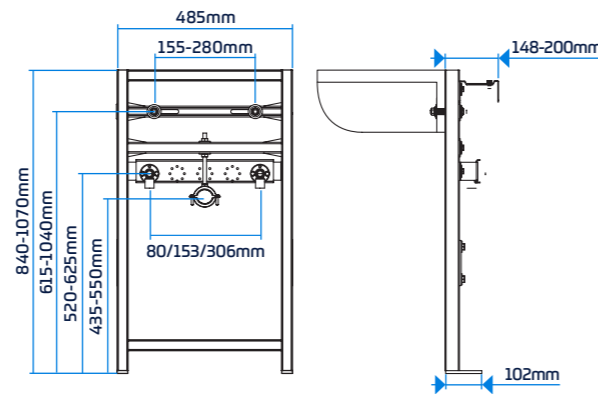
#### FRAMES // WASHROOM FILL & FLUSH

Wall-hung basin support frame designed for use against flat walls and in corners.

Ideal for domestic and commercial applications.

#### Features

- Wall and floor fixing brackets can be fixed through 180° and 360° respectively to provide further flexibility
- Legs adjust offer basin height fixing flexibility
- Strong steel square hollow construction
- Blue powder coated finish and galvanised wall and floor brackets



Product	Code
Dudley Illusion Basin	319207

Technical Data	
Fixing Orientation	Wall and Floor Fixed

## 01 Wall-Hung Sanitaryware Frames Support Brackets

### Illusion Sentinel™

#### FRAMES // WASHROOM FILL & FLUSH

The Dudley Illusion Sentinel™ wall-hung WC pan support brackets are designed as an alternative to the Illusion Frame range.

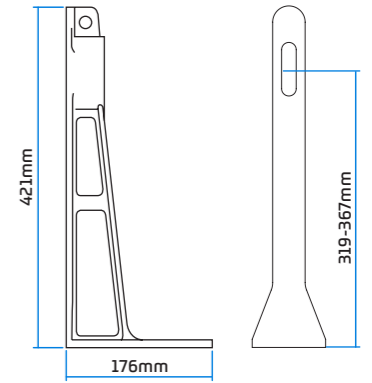
Ideal for most domestic and commercial applications.

#### Features

- Strong cast iron construction
- Vertical slot offers WC pan height fixing flexibility
- Grey painted finish
- Load tested to 4kN to ensure compliance with BS EN 997 when fitted with a wall-hung pan

#### Options

- WC Pan fixing bolts available as optional extras



Product	Code
Dudley Illusion Sentinel Bracket	317614

Technical Data	
Fixing Orientation	Floor Fixed
Load Capacity	Tested to 4kN

### Illusion Basin™

Load tested to **1.5kN** to ensure compliance with **BS EN 14688** when fitted with a **wall-hung basin**

Blue powder coated finish & **galvanised** wall & floor brackets

**Strong steel** tubular section construction

**Legs adjust** to offer basin height fixing flexibility

**Wall and floor fixing brackets** can be fixed through **180°** and **360°**

Visit our website



### Illusion Sentinel™

**Strong cast iron** construction

**Grey painted** finish

**Vertical slot** offers WC Pan height fixing flexibility

Passes **4kN** load test

Visit our website



# Concealed Cisterns

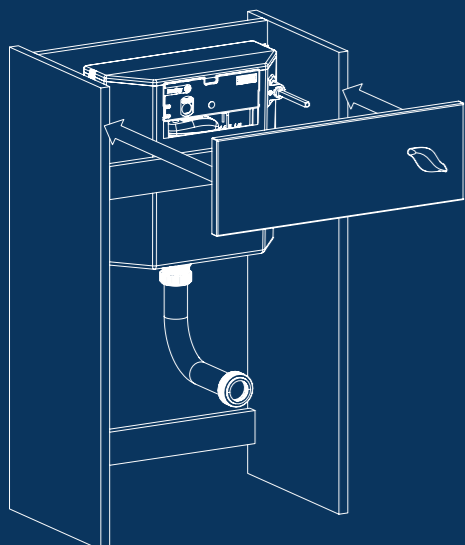
## CLASSIC CONFIDENCE



It's every specifier's goal to tell their client they can reduce project time frames and Thomas Dudley fully understand the need to save money on site. As such, our concealed cisterns are designed to have proven water savings and speed up

installation and servicing to minimise the associated costs.

A vast range of pushbuttons, push plates, levers and touch-free electronic sensors are also available to provide the perfect finishing touch to any project.



## CLASSIC CONFIDENCE

Thomas Dudley's high quality concealed cisterns are perfect for the classic modern design in domestic & commercial applications and can be installed with confidence in fitted furniture, or behind walls and most partitioning materials.



Please see Button, Cistern and Frame Compatibility Chart on Pg 96

## 02 Concealed Cisterns

### eco-cistem™

#### eco-cistem™ Concealed Cistern

##### CONCEALED CISTERNS // WASHROOM FILL & FLUSH

eco-cistem™ in partnership with Thomas Dudley. The first cistern to re-use condensate from air-conditioners to provide free water to flush toilets.

##### Water Saving

- Compatible with grey water input for eco-efficiency
- Adjustable flush volumes between 6L and 3.5L; pre-set to 4.5L
- The first and only cistern to give BREEAM credits and LEED points
- Online water savings calculator available

##### Features

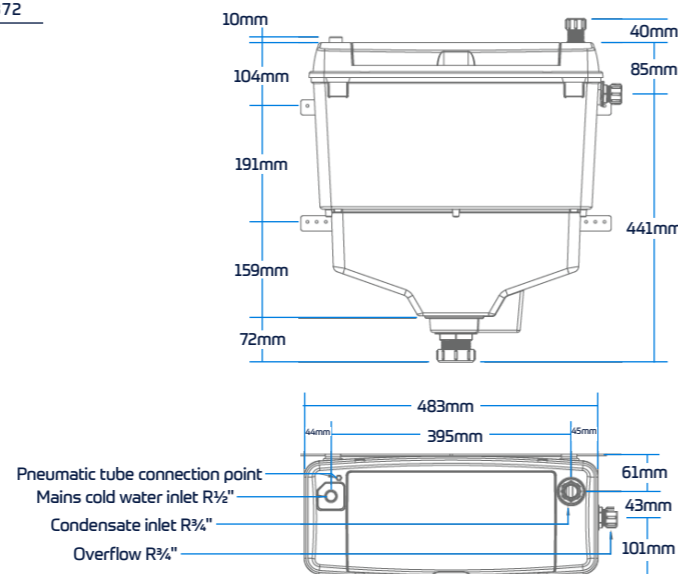
- 485mm [W] x 476mm [H] x 195mm [D]
- Water saving
- Patented chamber design for enhanced performance
- Pneumatic activation – Manual/IR flush plate option
- Supplied with 600mm plastic air tube
- Supplied with 2" – 1.5" flush pipe

- Supplied Wall/frame mounting brackets
- Dual fixing points allowing front or rear fixing
- An extensive range of finishing accessories—including push plates, pushbuttons, levers, and touch-free sensors—allows for full customisation to suit any aesthetic or specification

##### Options

- Wall mounted
- Frame mounted
- Front or rear fixing
- Suitable for use with:
  - CP Round [313085]
  - Metal Royal [321685]
  - Palm push Royal [324379]
  - Royal [313621]
  - Electroflo 40mm [333388]
  - Electroflo 40mm stainless steel [371959]
  - Electroflo 40mm black [372097]

Product	Code
eco-cistem™	377372



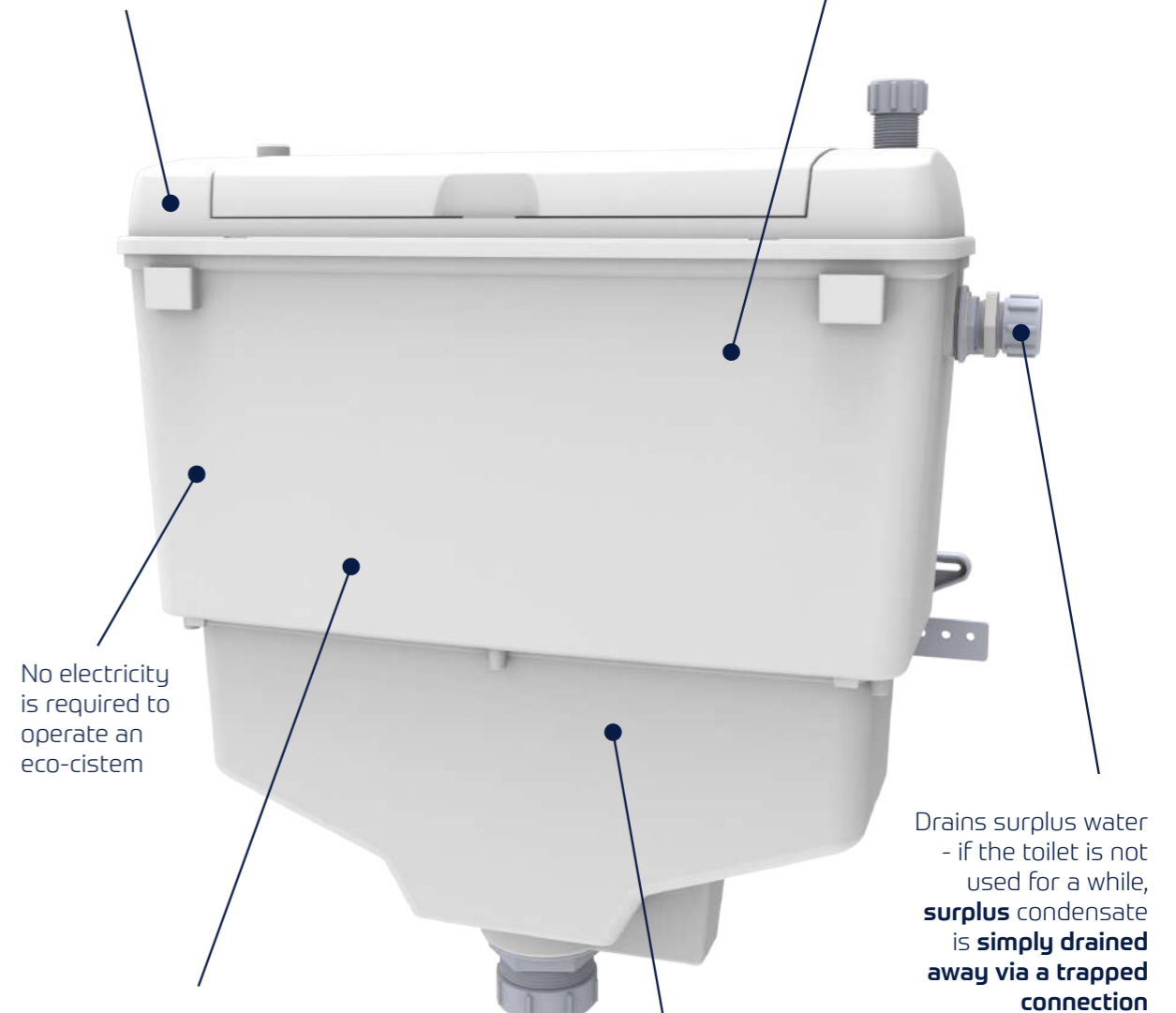
Technical Data	
Operation	Pneumatic activation – Manual/IR flush plate option
Material	HIPS and Polyoxmethylene (POM)
Inlet	Top inlet for mains water supply Top inlet for grey water
Flush Volume	Adjustable between 6 litres & 3.5 litres
Capacity	18 litres (2/3 reservoir / 1/3 flushable)
Flow pressure	0.1 – 10ba
Weight	2.5kg



#### eco-cistem™ Concealed Cistern

**Back up mains water supply;** if there are multiple flushes in a short period of time, the cistern is filled in the conventional way. This ensures that a full toilet flush is **available even when usage frequency is high**

The **first cistern** to reuse condensate from air-conditioners to provide **free water** to flush toilets



Eco-cistem™ is designed with **two chambers**. When flushed, the patented lower chamber is emptied and is then replenished with water stored in the upper chamber

Can store **12 litres** of condensate water

Visit our website



## 02 Concealed Cisterns

### OSMO® T1

#### OSMO® T1 Concealed Cistern

##### CONCEALED CISTERNS // WASHROOM FILL & FLUSH

Thomas Dudley's OSMO® T1 is a top access concealed reversible cistern with AXIS technology™ creating multiple inlet and outlet options as standard for pod applications.

Perfectly designed to be mounted behind IPS, within compact voids or on timber and steel framed pods.

Manufactured in the UK by Thomas Dudley, OSMO® T1 is a new innovative concealed cistern designed to easily achieve multiple inlet/ outlet options and is fully water regulations compliant in standard height pod shelves.

##### Water Saving

- Excellent water saving from the factory set Dudley Niagara valve at 6/4 ltr. Outstanding water saving performance when setting the Dudley Niagara valve to 4/2.6ltr dual flush combined with the Hydroflo Delay Fill inlet valve
- Delay fill Hydroflo inlet valve only allows cistern to start refilling once flushing is complete, saving up to 0.5L of drinking water per flush

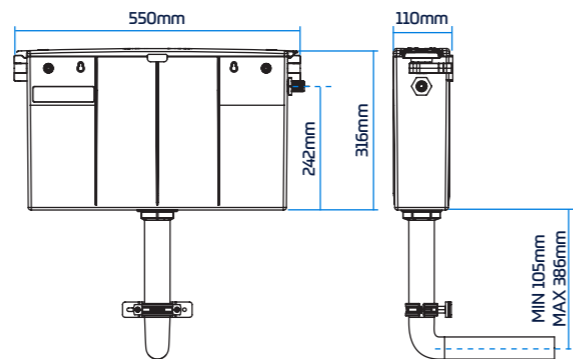
##### Features

Product	Code
OSMO® T1 (2" centre outlet)	377201
OSMO® T1 (2" offset outlet)	377202

- WRAS Approved cistern assembly
- WRAS Approved Dudley Niagara pneumatic flush valve
- WRAS Approved Dudley Victoria cable flush valve
- WRAS Approved Dudley Hydroflo Delay Fill Brass Tail Inlet Valve (Side or Bottom Inlet)
- Easy top access with reversible SnapLock lid™
- Factory Assembled
- Pneumatic push button / plate can be installed up to 250mm away from cistern
- Unique reversible cistern body due to AXIS Technology™ achieving multiple inlet and outlet options
- Flush Pipe Stability System (FPSS™) with SureLock™ Bracket
- Multiple Flushing Volumes: 6/4 – 5/3 – 4/2.6 ltr (Alternative volumes upon request)
- Fluid category 5 cistern; the only way to achieve a water regulations compliant cistern in standard height POD shelves

##### Options

- Centre outlet
- Offset outlet



Technical Data	
Operation	All Thomas Dudley Pushbuttons & Pushplates
Material	Polystyrene
Inlet	Side inlet as standard, bottom inlet available
Outlet	Side
Flush Volume	Dual Flush 6/4, 6/3, 4/2.6 Litre
Flush Pipe	Valve

#### OSMO® T1 Concealed Cistern



Visit our website



## 02 Concealed Cisterns

### Vantage®

#### Vantage® Concealed Cistern

##### CONCEALED CISTERNS // WASHROOM FILL & FLUSH

The Vantage has been designed specifically for use in bathroom furniture. It is ideal for use behind tiles and partitioning and in most other concealed applications.

Available in multiple specifications. Please contact Thomas Dudley for more information.

##### Water Saving

- 6/4 litre dualflush
- Quickly and easily converts before or after installation to 5/3 or 4/2.6 litre dualflush
- 6/5/4 litre single flush also available
- Delay fill Hydroflo inlet valve only allows cistern to start refilling once flushing is complete, saving up to 0.5L of drinking water per flush
- European Water Label Scheme registered
- Supports BREEAM

##### Features

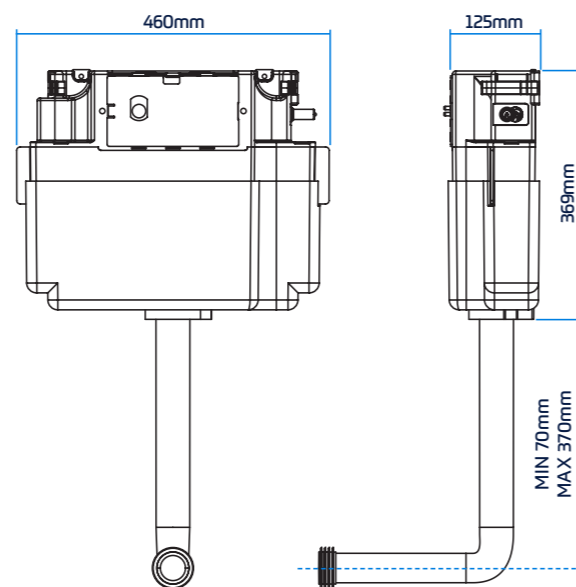
- 460mm [W] x 369mm [H] x 125mm [D]
- Supplied factory assembled
- Fitted with integral isolating valve & internal overflow warning

Product	Code
Vantage® Concealed Cistern [no jacket]	313330
Vantage® Concealed Cistern [with jacket]	320433

- Air tubes enable button, plate or sensor to be installed up to 250mm away from cistern
- Front & Top Access panels
- Compact dimensions enables the Dudley Vantage to fit neatly into furniture units as small as 500mm [W] x 200mm [D] x 800mm [H]
- Cistern assembly is WRAS approved
- Fitted with WRAS approved Hydroflo Side Inlet & Niagara Pneumatic Valve
- Side inlet
- Pushfit flush-bend
- Unique cistern fixing brackets
- Fully compliant with UK Water Regulations

##### Options

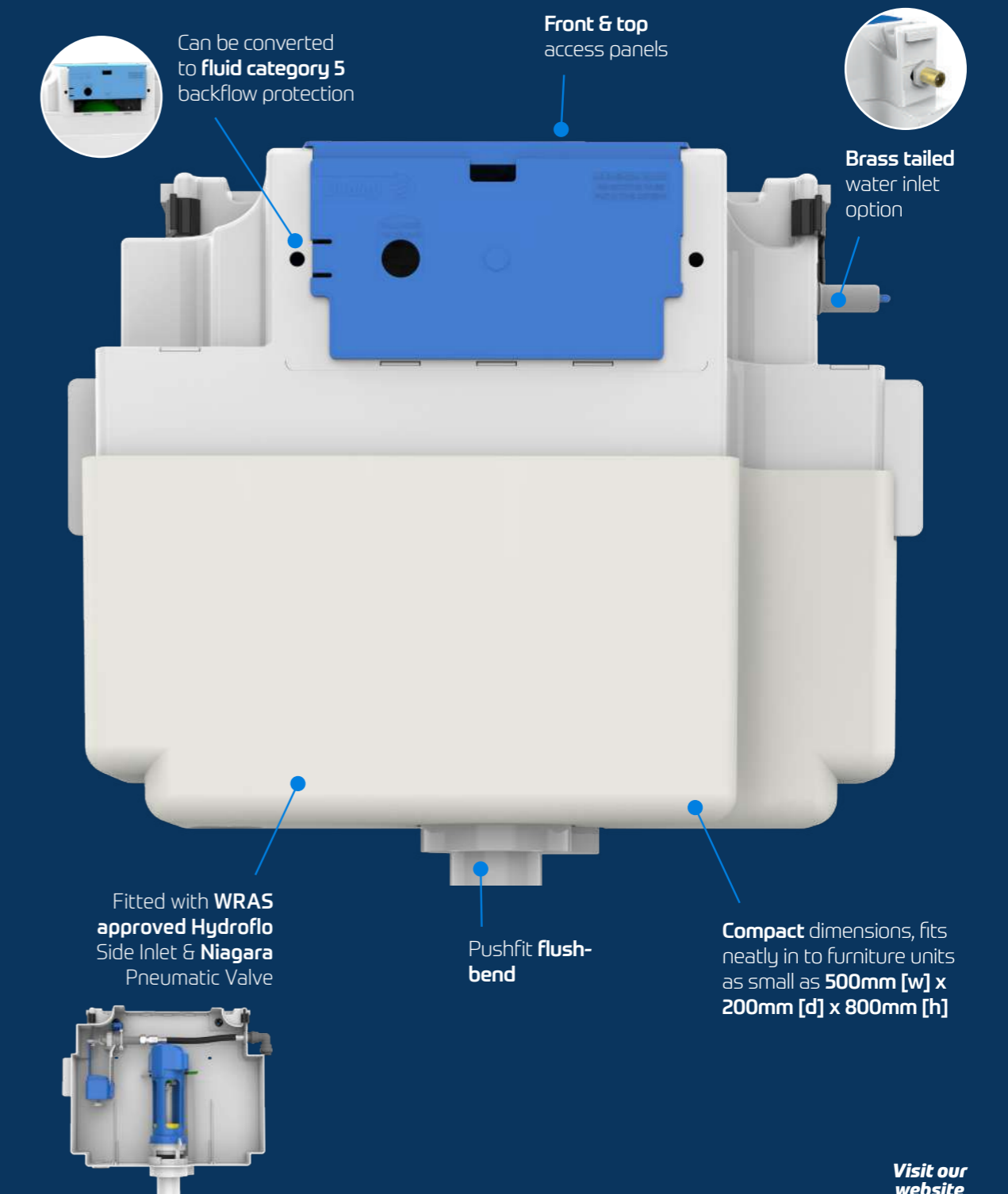
- Multiple specification options
- Polystyrene insulation jacket
- Available with ½" brass tail water supply connection\*
- Single Flush, Geo Button, Piazza Button, Royal Button, Oyster Plate, Reef Plate Coral Plate, Electroflo & more
- Vantage cisterns are available with Cat 3 & Cat 5 backflow prevention



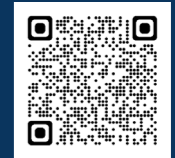
Technical Data	
Operation	Pneumatic
Material (Cistern)	High Density Polystyrene (PS)
Inlet	Hydroflo Compact: Side
Outlet	Niagara: Pneumatic
Flush Volume	Dual Flush 6/4, 5/3, 4/2.6 Litre or Single Flush 6, 5, 4 Litre



#### Vantage® Concealed Cistern



Visit our website



## 02 Concealed Cisterns

### OSMO® F1

#### OSMO® F1 Concealed Cistern

##### CONCEALED CISTERNS // WASHROOM FILL & FLUSH

Thomas Dudley's OSMO® F1 is the World's first front access serviceable syphon cistern, fitted with the New Dudley Turbo Edge® syphon, designed for use with WC furniture and IPS panelling.

Manufactured in the UK by Thomas Dudley, the OSMO® F1 is a new innovative concealed cistern designed to be stylish, versatile and easy to fit and service with minimal disruption to WC furniture or panelling.

We recommend OSMO F1® is only used with a reputable branded manufacturer of WC Pans.

##### Water Saving

- Excellent water saving with 6/4, 6/3 and 4/2.6 litre volume dual flush options
- The Turbo Edge® syphon guarantees a leak free flush mechanism
- Delay fill Hydroflo inlet valve only allows cistern to start refilling once flushing is complete, saving up to 0.5L of drinking water per flush

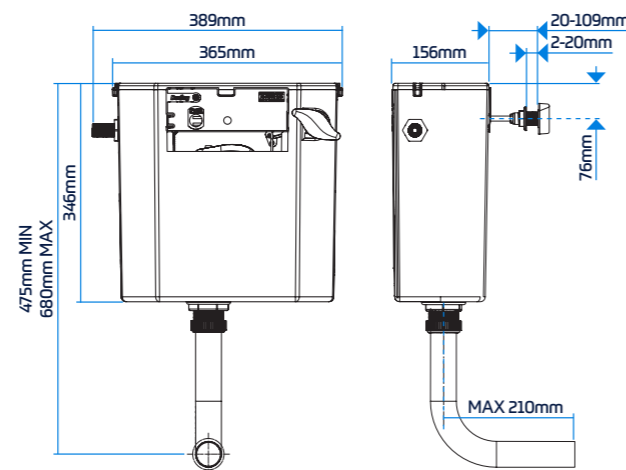
##### Features

Product	Code
OSMO® F1 Right Hand Actuator	371854
OSMO® F1 Left Hand Actuator	371855
OSMO® F1 Right Hand - Chrome Actuator Kit	371874
OSMO® F1 Right Hand - Matt Black Actuator Kit	371876
OSMO® F1 Right Hand - Brushed Brass Actuator Kit	371878
OSMO® F1 Right Hand - Brushed Nickel Actuator Kit	371886
OSMO® F1 Left Hand - Chrome Actuator Kit	371875
OSMO® F1 Left Hand - Matt Black Actuator Kit	371877
OSMO® F1 Left Hand - Brushed Brass Actuator Kit	371879
OSMO® F1 Left Hand - Brushed Nickel Actuator Kit	371887

- WRAS approved cistern assembly
- WRAS approved Dudley Turbo Edge syphon
- WRAS approved Dudley Hydroflo with compact float and brass tail - fully compliant to BS 1212-4
- Fluid category 5 cistern
- Factory assembled
- Available in both left handed and right handed applications, please specify at point of ordering
- Multiple flushing volumes: 6/4, 6/3, 4/2.6 litre
- Front access
- Easily serviceable
- Stylish actuator available in various finishes - actuators sold separately
- 10 year warranty

##### Options

- Left/Right hand actuator
- Chrome Actuator
- Matt Black Actuator
- Brushed Brass Actuator
- Brushed Nickel Actuator



##### Technical Data

Operation	Mechanical
Material	High Density Polystyrene (PS)
Inlet	Dudley Hydroflo Compact: Side Inlet
Outlet	Dudley Turbo Edge Syphon
Flush Volume	Dual Flush 6/4, 6/3, 4/2.6 Litre

#### OSMO® F1 Concealed Cistern

Front access cistern, easily serviceable within WC furniture & IPS panelling

Chrome, Matt Black, Brushed Brass & Brushed Nickel actuator finishes available



Fitted with Turbo Edge®, the world's most compact syphon and guaranteed to be leak-free and Hydroflo® quiet fill type AG inlet valve



Patented front access system, unique registered design actuator available in multiple finishes, ergonomically tested for optimum light touch operation (actuators sold separately)

Compact design; fits neatly in to 500mm furniture units, we recommend installing at a height of no less than 838mm

Visit our website



## 02 Concealed Cisterns Prestige®

### Prestige® Concealed Cistern

#### CONCEALED CISTERNS // WASHROOM FILL & FLUSH

The Prestige is specifically designed for use in bathroom furniture, also ideal for use behind tiles and partitioning and in most other concealed applications.

#### Water Saving

- 6/4 litre dualflush
- 6/5/4 litre single flush also available
- Delay fill Hydroflo inlet valve only allows cistern to start refilling once flushing is complete, saving up to 0.5L of drinking water per flush

#### Features

- 365mm [W] x 346mm [H] x 165mm [D]
- Can be configured to individual requirements and specifications
- Supplied factory assembled for quick and easy installation
- Cistern assembly is WRAS approved
- Fitted with WRAS approved Hydroflo Side Inlet & Niagara

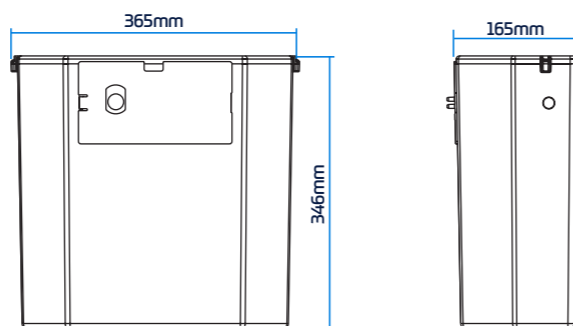
#### Pneumatic Valve

- Air tubes enable button, plate or sensor to be installed up to 250mm away from cistern
- Internal overflow warning
- Top and front access
- Prestige cisterns are available with Cat 3 & Cat 5 backflow prevention
- Fully compliant with UK Water Regulations

#### Options

- Side or Bottom inlet
- Side inlet can be supplied with internal water isolation
- Delay fill Hydroflo inlet valve
- Push fit, Plastic or Brass tail
- Offset outlet for use with a wider range of flush actuators (button or plate actuation)

Product	Code
Prestige® Concealed Cistern	334022



Technical Data	
Operation	Mechanical
Material (Cistern)	High Density Polystyrene (PS)
Inlet	Hydroflo Compact: Side or bottom
Outlet	Niagara: Pneumatic (Offset)
Flush Volume	Dual Flush 6/4, 5/3, 4/2.6 Litre or Single Flush 6, 5, 4 Litre



### Prestige® Concealed Cistern

Can be converted to **fluid category 5** backflow protection



## 02 Concealed Cisterns

### Miniflo™

#### Miniflo™ Concealed Cistern

##### CONCEALED CISTERNS // WASHROOM FILL & FLUSH

The Miniflo is ideal for use behind tiles and partitioning and in most other concealed applications.

Available in multiple specifications. Please contact Thomas Dudley for more information

##### Water Saving

- 6/4 litre dualflush
- Quickly and easily converts before or after installation to 5/3 or 4/2.6 litre dualflush
- 6/5/4 litre single flush also available
- Delay fill Hydroflo inlet valve only allows cistern to start refilling once flushing is complete, saving up to 0.5L of drinking water per flush
- European Water Label Scheme registered
- Supports BREEAM

##### Features

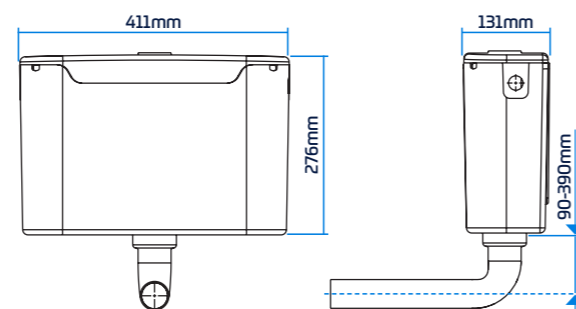
- 411mm [W] x 276mm [H] x 131mm [D]

Product	Code
Miniflo™ Concealed Cistern	333996

- Supplied factory assembled
- Air tubes enable button, plate or sensor to be installed up to 250mm away from cistern
- Compact dimensions enables the Dudley Miniflo to fit neatly into 150mm ducts
- Top Access
- One piece cistern fixing brackets
- Cistern body is high density polyethylene with durable glossy finish
- Internal overflow warning
- Cistern assembly is WRAS approved
- Fitted with WRAS approved Hydroflo Inlet & Niagara Pneumatic Valve
- Pushfit flush-bend
- Fully compliant with UK Water Regulations

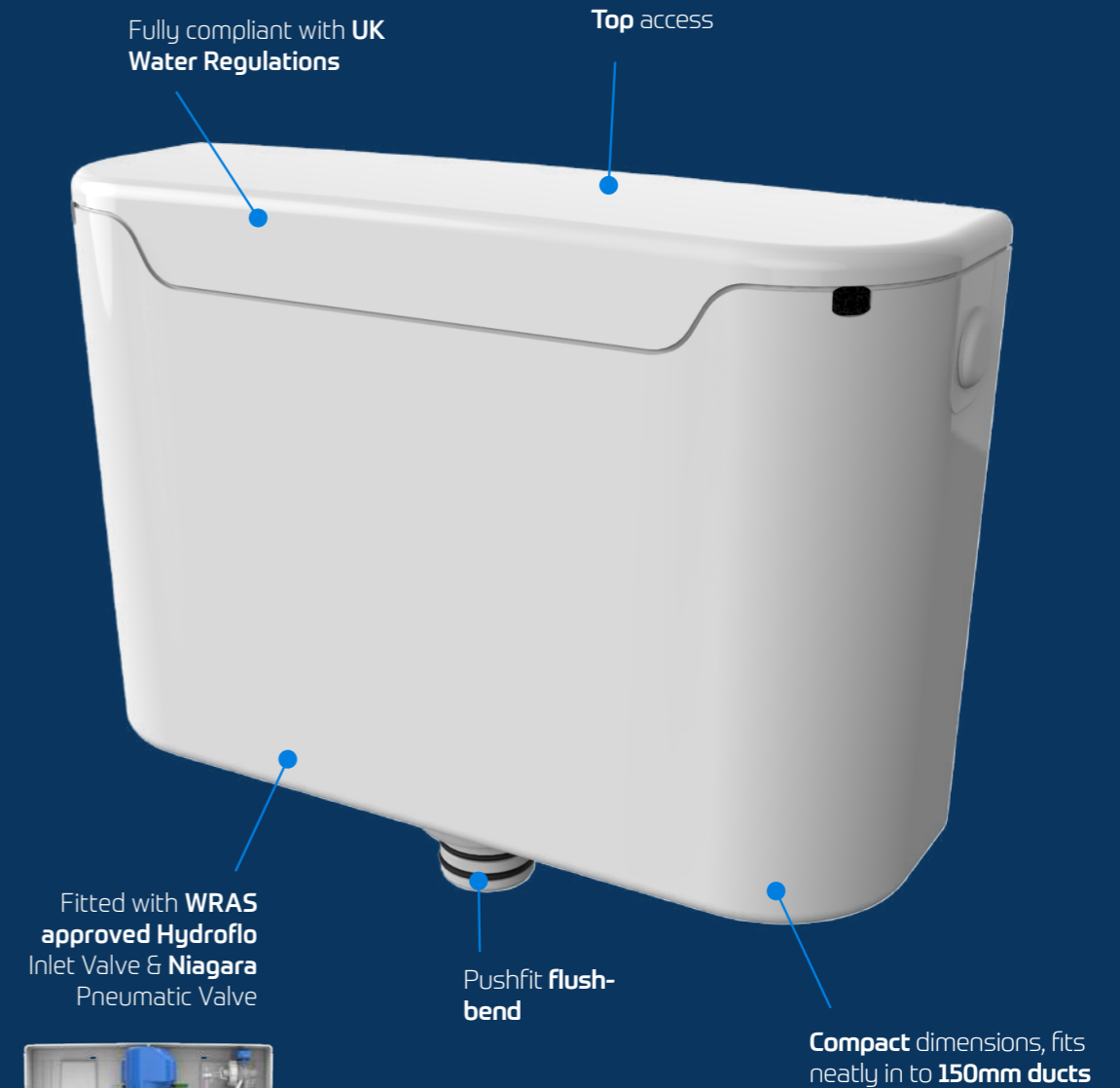
##### Options

- Side or Bottom inlet
- Single Flush, Buttons, Plates & Electroflo



Technical Data	
Operation	Mechanical
Material (Cistern)	High Density Polystyrene (PS)
Inlet	Hydroflo Compact: Side or bottom
Outlet	Niagara: Pneumatic
Flush Volume	Dual Flush 6/4, 5/3, 4/2.6 Litre or Single Flush 6, 5, 4 Litre

#### Miniflo™ Concealed Cistern



Visit our website



## 02 Concealed Cisterns Phantom®

### Phantom® Concealed Cistern

#### CONCEALED CISTERNS // WASHROOM FILL & FLUSH

The Phantom is ideal for use behind tiles and partitioning and in most other concealed applications.

Available in multiple specifications. Please contact Thomas Dudley for more information

#### Water Saving

- Dudley Duoflush delivers water-saving reduced flush when lever is held down and full flush when lever is depressed and released and easily converts to 5/3 or 4/2.6 litre
- 6/5/4 litre single flush also available
- European Water Label Scheme registered

#### Features

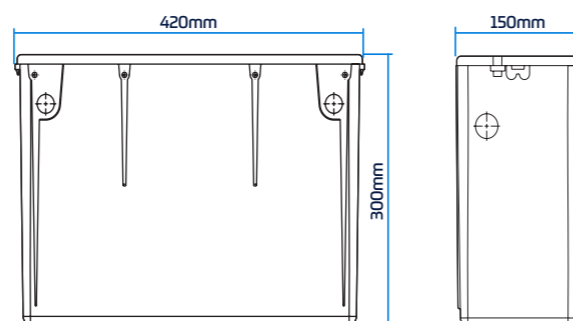
- 420mm [W] x 300mm [H] x 150mm [D]
- Levers are fitted with vandal-resistant stops to prevent them being rotated backwards

- Cistern assembly is WRAS approved
- WRAS approved Dudley syphon
- WRAS approved Dudley Part 3 side inlet valve
- Top access
- Cistern body is high density polyethylene
- Internal/external overflow warning
- Fully compliant with UK Water Regulations

#### Options

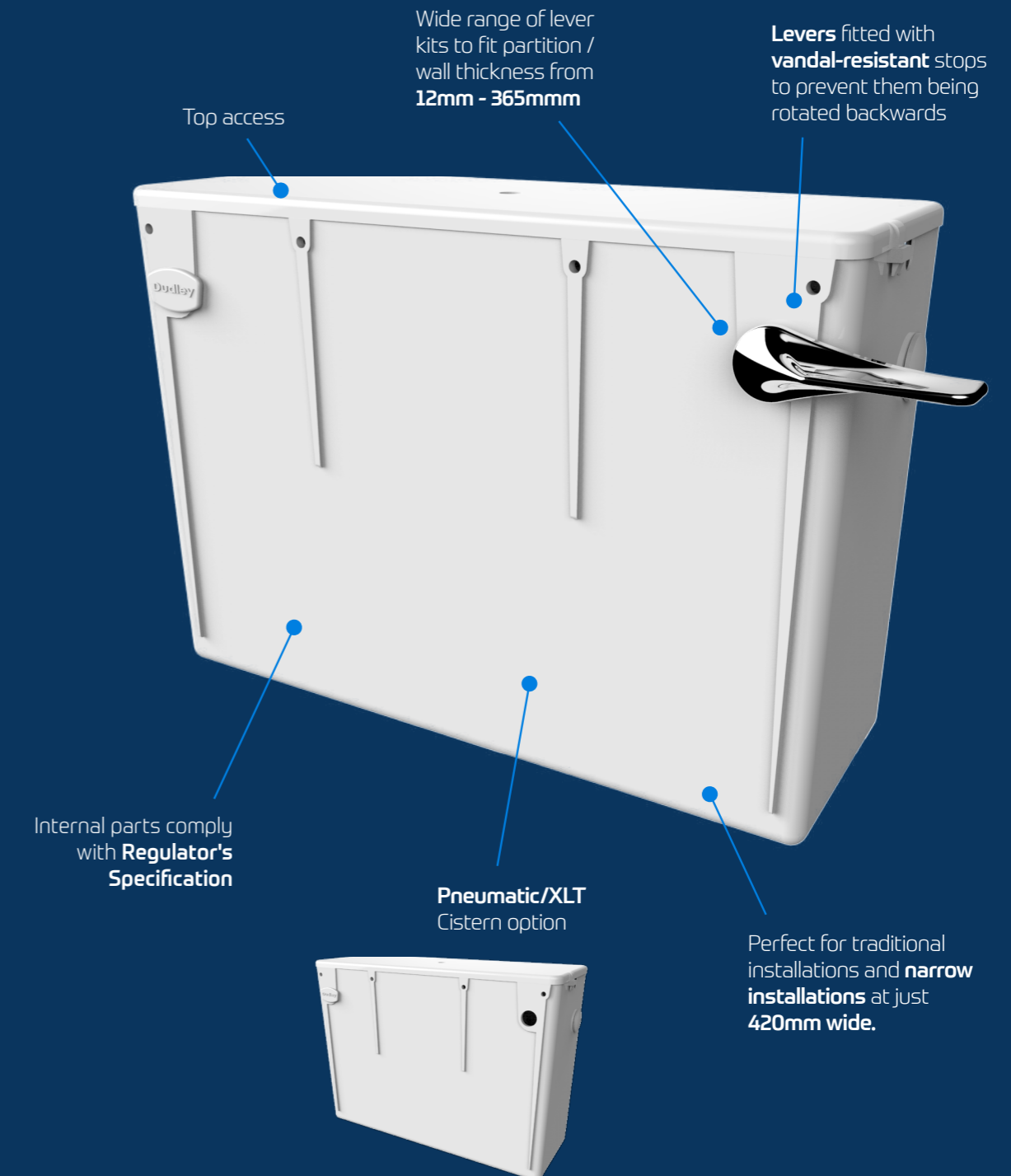
- Pneumatic / XLT Cistern
- Bottom inlet
- Turbo 88 2-part syphon
- Wide range of lever kits to fit partition/wall thickness from 12mm - 365mm
- Can be installed with Illusion A WC support frame

Product	Code
Phantom® Concealed Cistern (lever operated)	315863
Phantom® Pneumatic/XLT Concealed Cistern	327060



Technical Data	
Operation	Mechanical [Lever Operated]
Material (Cistern)	High Density Polystyrene (PS)
Inlet	Part 3 Side or bottom Inlet
Outlet	Turbo 88: Dual Flush Syphon
Flush Volume	Dual Flush 6/4, 5/3, 4/2.6 Litre or Single Flush 6, 5, 4 Litre
Lever Reach	12-365mm

### Phantom™ Concealed Cistern



Visit our website



## 02 Concealed Cisterns

### Pushflo®

### Pushflo® Concealed Cistern

#### CONCEALED CISTERNS // WASHROOM FILL & FLUSH

The Pushflo is ideal for use behind tiles and partitioning and in most other concealed applications.

Available in multiple specifications. Please contact Thomas Dudley for more information

#### Water Saving

- 6 litre single flush
- Delay fill Hydroflo inlet valve only allows cistern to start refilling once flushing is complete, saving up to 0.5L of drinking water per flush

#### Features

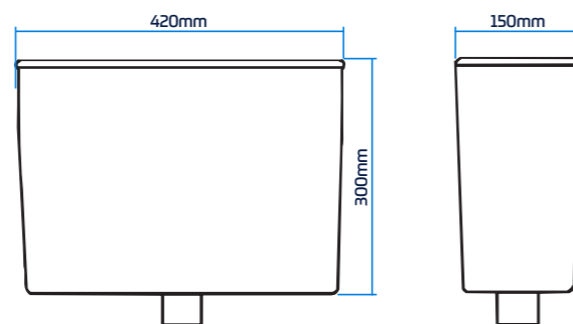
- 420mm [W] x 300mm [H] x 150mm [D]
- WRAS approved single flush valve

Product	Code
Pushflo® Concealed Cistern including Flat Metal Button	313321
Pushflo® Concealed Cistern - No Button	315425
Pushflo® Concealed Cistern including Flat Metal Button (extended)	324836

- WRAS approved inlet valve
- Compact dimensions fits neatly into most ducts
- Air tubes enable button to be installed up to 250mm away from cistern
- Top access
- Vandal-resistant Flat Metal button [see pg 81]
- Internal overflow warning
- Fully compliant with UK Water Regulations

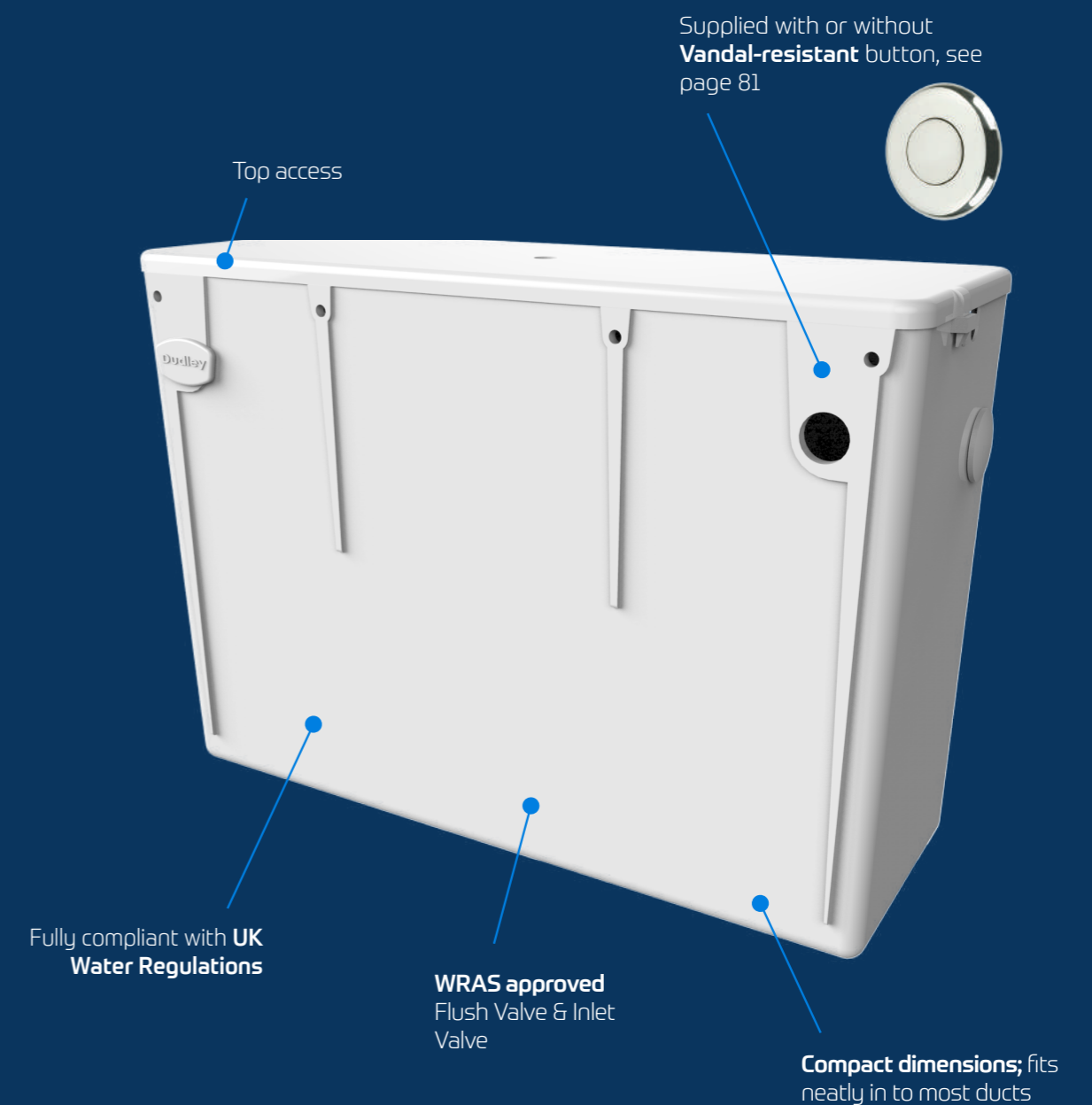
#### Options

- Side or bottom inlet
- Dome, Petite and Cone button also available



Technical Data	
Operation	Pneumatic
Material (Cistern)	High Density Polystyrene (PS)
Inlet	Hydroflo Compact: Side or bottom
Outlet	Flush Valve: Pneumatic
Flush Volume	6 Litre Single Flush

### Pushflo™ Concealed Cistern



Visit our website



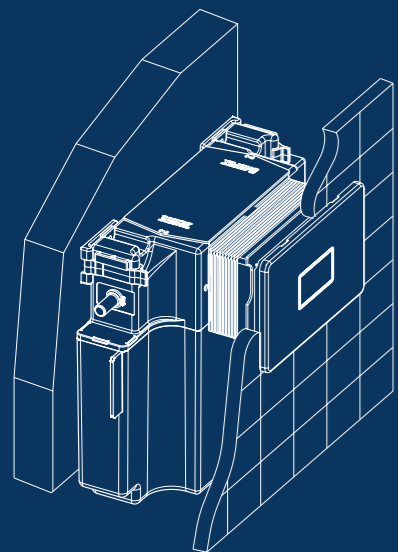
# Buttons & Plates

## ELEGANCE IN THE DETAIL



Thomas Dudley's range of buttons and push plates are designed to add the finishing detail to any bathroom and are available in many styles and finishes.

Discover our full range of available options, whether you require dualflush water saving, hygienic touch-free features or light touch operated products, we offer solutions to suit any specification.



## ELEGANCE IN THE DETAIL

Touch-free flushing has never looked better, with a choice of designs and sizes you can be sure the detail in our range of buttons and push plates will suit any commercial or domestic installation.

Please see Button, Cistern and Frame Compatibility Chart on Pg 96

## 03 Buttons and Plates

### Dualflush Buttons

#### Geo Dualflush Pushbutton



##### BUTTONS & PUSH PLATES // WASHROOM FILL & FLUSH

The NEW Geo pneumatic dualflush button is designed for use with Dudley concealed cisterns and Illusion A and V frames, it is simple yet contemporary in design and will compliment any modern washroom interior.

##### Water Saving

- Dualflush operation provides reduced flush for enhanced water saving

##### Features

- 73.5mm diameter pushbutton

- Dualflush
- Smooth pneumatic operation
- Round chrome plated finish as standard
- Can be positioned up to 250mm from the cistern

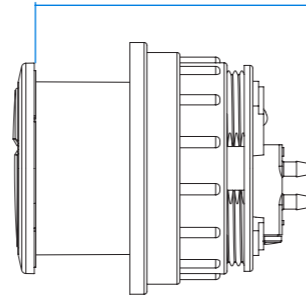
##### Options

- Chrome
- Brushed Nickel
- Matt Black
- Soft Touch Grey
- Satin Brass

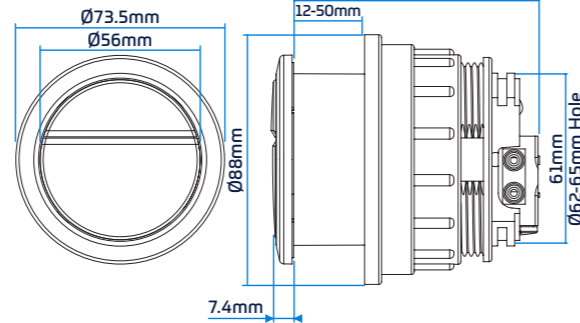
Product	Wall Thickness	Code
Geo Dualflush Pushbutton - Chrome	<50mm	372873
Geo Dualflush Pushbutton - Brushed Nickel	<50mm	372871
Geo Dualflush Pushbutton - Matt Black	<50mm	372938
Geo Dualflush Pushbutton - Soft Touch Grey	<50mm	373557
Geo Dualflush Pushbutton - Satin Brass	<50mm	375056
Geo Dualflush Pushbutton - Chrome	>50mm	375698
Geo Dualflush Pushbutton - Brushed Nickel	>50mm	375701
Geo Dualflush Pushbutton - Matt Black	>50mm	375699
Geo Dualflush Pushbutton - Soft Touch Grey	>50mm	375700
Geo Dualflush Pushbutton - Satin Brass	>50mm	376165
75mm Wall Extension for 73.5mm Pushbutton	>50mm	322500



For wall thickness >50mm  
95mm



For wall thickness <50mm  
87mm

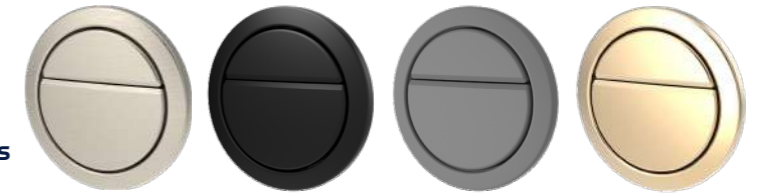


Technical Data	
Wall Thickness	12-50mm [>50mm option also available]
Installation Aperture	ø62-65mm hole
Fixing Type	Locking Collet (Supplied)
Button Operation	Pneumatic
Flush Option	Dual Flush
Mounting Options	IPS Panelling, Furniture, Walls
Material	ABS
RAL Colours*	Brushed Nickel – RAL 9007 Matt Black – RAL 9017 Soft Touch Grey – RAL 7016 Satin Brass – RAL 080 70 50

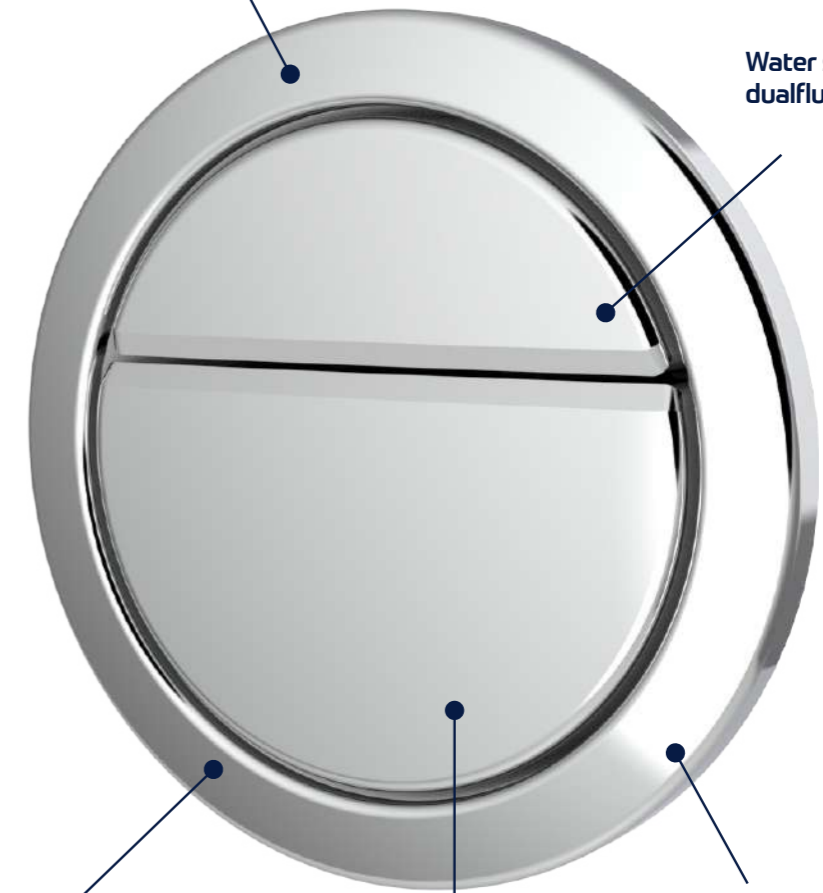
\*Indicative only

#### Geo Dualflush Pushbutton

Chrome finish as standard, Brushed Nickel, Matt Black, Soft Touch Grey & Satin Brass finishes also available



Water saving dualflush operation



73.5mm dia.

Compatible with furniture, tiles, IPS, partitioning and walls

Simple yet contemporary in design

Visit our website



## 03 Buttons and Plates

### Dualflush Buttons

#### Dio Dualflush Pushbutton

##### BUTTONS & PUSH PLATES // WASHROOM FILL & FLUSH

Designed for use with Dudley concealed cisterns and Illusion A and V frames.

##### Water Saving

- Dual flush operation provides reduced flush for enhanced water saving.

##### Features

- 51mm diameter pushbutton
- Dualflush
- Smooth pneumatic operation
- Round chrome plated finish as standard
- Can be positioned up to 250mm from the cistern

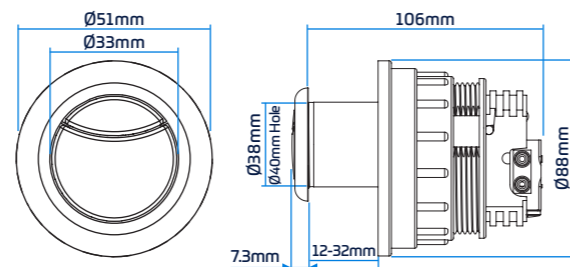
##### Options

- Chrome
- Brushed Nickel
- Matt Black
- Satin Brass

Product	Code
Dio Dualflush Pushbutton - Chrome	322408
Dio Dualflush Pushbutton - Brushed Nickel	374422
Dio Dualflush Pushbutton - Matt Black	371008
Dio Dualflush Pushbutton - Satin Brass	375054



Brushed Nickel, Matt Black & Satin Brass finishes also available



Technical Data	
Wall Thickness	12 - 32mm
Installation Aperture	Ø40mm hole
Fixing Type	Locking Collet (Supplied)
Button Operation	Pneumatic
Flush Option	Dual Flush
Mounting Options	IPS Panelling, Furniture, Walls
Material	ABS
RAL Colours*	Brushed Nickel - RAL 9007 Matt Black - RAL 9017 Satin Brass - RAL 080 70 50

\*Indicative only

Visit our website



#### Miniflo™ Dualflush Pushbutton

##### BUTTONS & PUSH PLATES // WASHROOM FILL & FLUSH

Designed for use with Dudley concealed cisterns and Illusion A and V frames.

##### Water Saving

- Dual flush operation provides reduced flush for enhanced water saving.

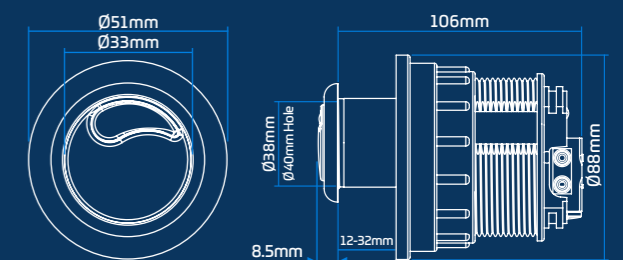
##### Features

- 51mm diameter pushbutton
- Dualflush
- Round chrome plated finish as standard
- Smooth pneumatic operation
- Can be positioned up to 250mm from the cistern

##### Options

- Polished Chrome
- Chrome/Mattel
- Button extension available for larger wall thickness's

Product	Code
Miniflo Dualflush Pushbutton Polished Chrome	322905



Technical Data	
Wall Thickness	12 - 32mm
Installation Aperture	Ø40mm hole
Fixing Type	Locking Collet (Supplied)
Button Operation	Pneumatic
Flush Option	Dualflush
Mounting Options	IPS Panelling, Furniture & Walls
Material	ABS

Visit our website



## 03 Buttons and Plates

### Dualflush Buttons

#### Piazza™ Square Dualflush Pushbutton

##### BUTTONS & PUSH PLATES // WASHROOM FILL & FLUSH

Designed for use with Dudley concealed cisterns and Illusion A and V frames.

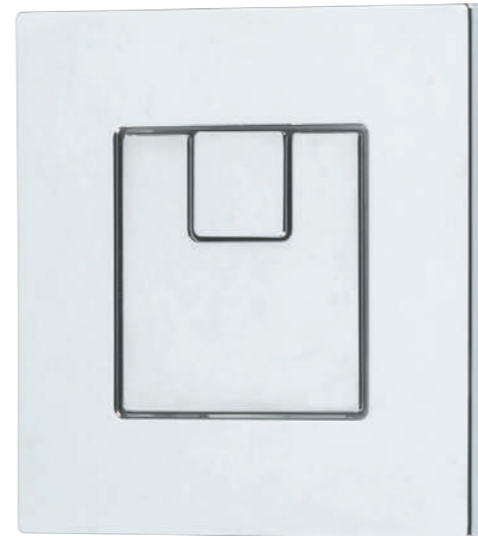
##### Water Saving

- Dual flush operation provides reduced flush for enhanced water saving.

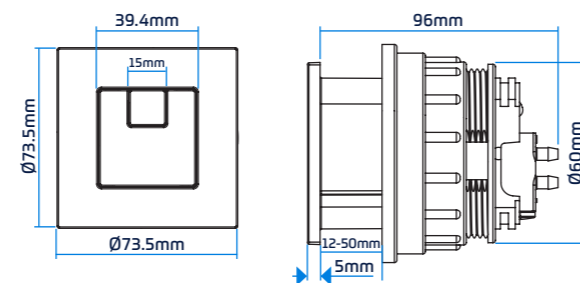
##### Features

- 73.5mm sqr pushbutton
- Dualflush
- Chrome plated finish as standard
- Smooth pneumatic operation
- Can be positioned up to 250mm away from the cistern

Product	Code
Piazza Dualflush Pushbutton - Chrome	327734
Piazza Dualflush Pushbutton - Brushed Nickel	374974
Piazza Dualflush Pushbutton - Matt Black	375286
Piazza Dualflush Pushbutton - Satin Brass	375055



Brushed Nickel, Matt Black & Satin Brass finishes also available



Technical Data	
Wall Thickness	12-32mm
Installation Aperture	ø62-65mm hole
Fixing Type	Back Nut
Button Operation	Pneumatic
Flush Option	Dual Flush
Mounting Options	IPS Panelling, Furniture, Walls
Material	ABS
RAL Colours*	Brushed Nickel – RAL 9007 Matt Black – RAL 9017 Satin Brass - RAL 080 70 50

\*Indicative only

Visit our website



#### Remora™ Twin Dualflush Push Button

##### BUTTONS & PUSH PLATES // WASHROOM FILL & FLUSH

Designed for use with Dudley concealed cisterns and Illusion A and V frames.

##### Water Saving

- Dual flush operation provides reduced flush for enhanced water saving.

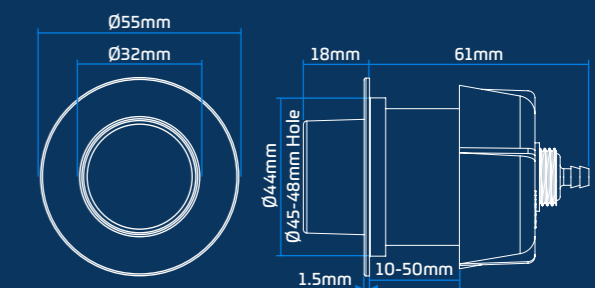
##### Features

- 55mm diameter pushbutton
- Dualflush
- Protruding button design for ease of use
- Smooth pneumatic operation
- 304 stainless steel button and surround
- Integral flush icons indicate full or partial flush operation
- Can be positioned up to 250mm from the cistern

##### Options

- Polished Stainless Steel
- Satin Stainless Steel

Product	Code
Remora™ Twin Dualflush - Polished Stainless Steel	330017
Remora™ Twin Dualflush - Satin Stainless Steel	330018



Technical Data	
Wall Thickness	10 - 50mm
Installation Aperture	2 x ø45-48mm holes
Fixing Type	Back Nut (Reversible)
Button Operation	Pneumatic
Flush Option	Dual Flush
Mounting Options	IPS Panelling, Furniture & Walls
Material	304 Stainless Steel

Visit our website



## 03 Buttons and Plates

### Dualflush Buttons

#### Royal Twin Palm Dualflush Pushbutton

##### BUTTONS & PUSH PLATES // WASHROOM FILL & FLUSH

Designed for use with Dudley concealed cisterns and Illusion A and V frames.

##### Water Saving

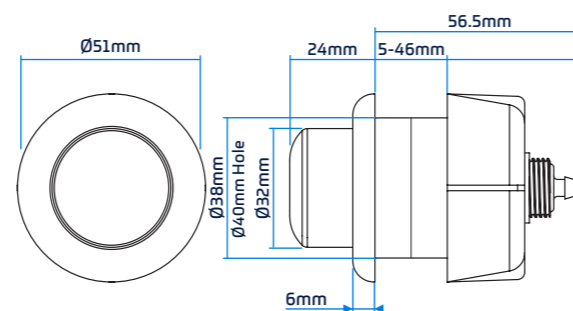
- Dual flush operation provides reduced flush for enhanced water saving.

##### Features

- 51mm diameter pushbutton
- Dualflush
- Protruding button design for ease of use
- Chrome plated finish
- Smooth pneumatic operation
- Can be positioned up to 250mm from the cistern



Product	Code
Royal Twin Palm Dualflush Pushbutton	327655



Technical Data	
Wall Thickness	5 - 46mm
Installation Aperture	2 x Ø40mm holes
Fixing Type	Back Nut (Reversible)
Button Operation	Pneumatic
Flush Option	Dual Flush
Mounting Options	IPS Panelling, Furniture, Walls
Material	ABS

Visit our website



## 03 Buttons and Plates

### Single Flush Buttons

#### Piazza™ Single Flush Pushbutton

##### BUTTONS & PUSH PLATES // WASHROOM FILL & FLUSH

Designed for use with Dudley concealed cisterns and Illusion A and V frames.

##### Water Saving

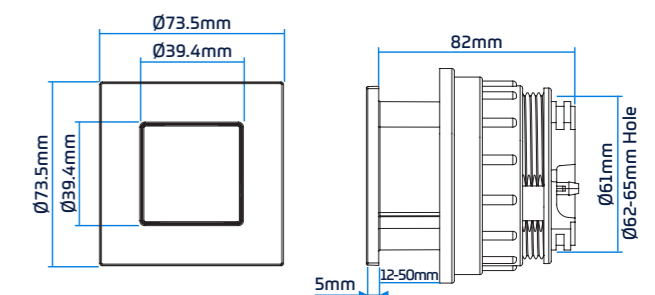
- Works in combination with Niagara Pneumatic valves which can flush as little as 4 litres

##### Features

- 73.5mm sqr pushbutton
- Single flush
- Smooth pneumatic operation
- Chrome plated finish as standard
- Can be positioned up to 250mm from the cistern



Product	Code
Piazza™ Single Flush Pushbutton	325277



Technical Data	
Wall Thickness	12 - 50mm
Installation Aperture	Ø62-65mm hole
Fixing Type	Back Nut
Button Operation	Pneumatic
Mounting Options	IPS Panelling, Furniture, Walls
Material	ABS

Visit our website



## 03 Buttons and Plates

### Single Flush Buttons

#### CP Round Single Flush Pushbutton

##### BUTTONS & PUSH PLATES // WASHROOM FILL & FLUSH

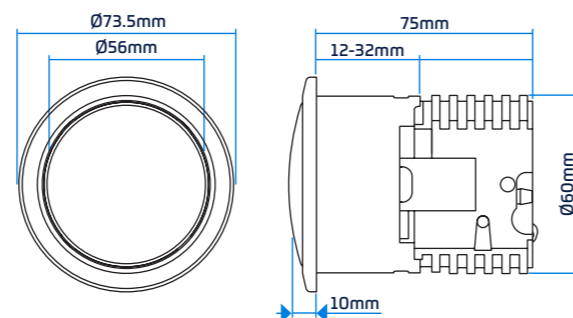
Designed for use with Dudley concealed cisterns and Illusion A and V frames.

##### Features

- 73.5mm diameter pushbutton
- Single flush
- Smooth pneumatic operation
- Round chrome plated finish as standard
- Can be positioned up to 250mm from the cistern



Product	Code
CP Round Single Flush Pushbutton Chrome Round/Round	313085



Technical Data	
Wall Thickness	12 - 32mm
Installation Aperture	ø62-65mm hole
Fixing Type	Locking Collet (Supplied)
Button Operation	Pneumatic
Flush Option	Single Flush
Mounting Options	IPS Panelling, Furniture, Walls
Material	ABS

Visit our website



#### Royal™ Single Flush Pushbutton

##### BUTTONS & PUSH PLATES // WASHROOM FILL & FLUSH

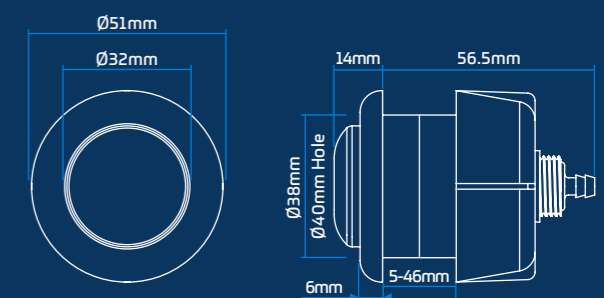
Designed for use with Dudley concealed cisterns and Illusion A and V frames.

##### Features

- 51mm diameter pushbutton
- Single flush
- Chrome plated finish
- Smooth pneumatic operation
- Can be positioned up to 250mm from the cistern



Product	Code
Royal™ Single Flush Pushbutton	313621



Technical Data	
Wall Thickness	5 - 46mm
Installation Aperture	ø38 - 40mm hole
Fixing Type	Back Nut (Reversible)
Button Operation	Pneumatic
Flush Option	Single Flush
Mounting Options	IPS Panelling, Furniture & Walls
Material	ABS

Visit our website



## 03 Buttons and Plates

### Single Flush Buttons

#### Palm Push Royal™ Single Flush Push Button

**BUTTONS & PUSH PLATES // WASHROOM FILL & FLUSH**

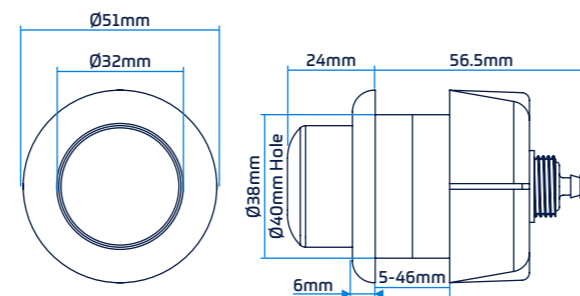
Designed for use with Dudley concealed cisterns and Illusion A and V frames.

##### Features

- 51mm diameter pushbutton
- Single flush
- Protruding button design for ease of use
- Smooth pneumatic operation
- Chrome plated finish
- Can be positioned up to 250mm from the cistern



Product	Code
Palm push Royal™ Single Flush Pushbutton	324379



Technical Data	
Wall Thickness	5 - 46mm
Installation Aperture	38-40mm holes
Fixing Type	Back Nut (Reversible)
Button Operation	Pneumatic
Flush Option	Single Flush
Mounting Options	IPS Panelling, Furniture, Walls
Material	ABS



#### Remora™ Single Flush Pushbutton

**BUTTONS & PUSH PLATES // WASHROOM FILL & FLUSH**

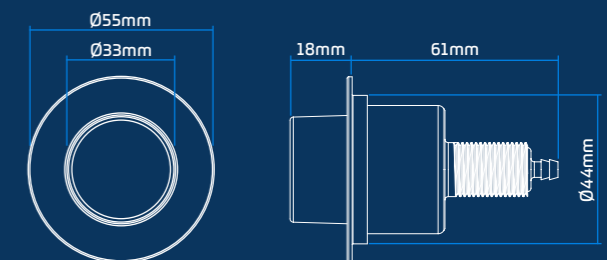
Designed for use with Dudley concealed cisterns and Illusion A and V frames.

##### Features

- 55mm diameter pushbutton
- Single flush
- 304 stainless steel
- Protruding button design for ease of use
- Smooth pneumatic operation
- Can be positioned up to 250mm from the cistern



Product	Code
Remora™ Single Flush Pushbutton - Polished Stainless Steel	328155
Remora™ Single Flush Pushbutton - Satin Stainless Steel	330019



Technical Data	
Wall Thickness	10 - 50mm
Installation Aperture	45 - 48mm hole
Fixing Type	Back Nut (Reversible)
Button Operation	Pneumatic
Flush Option	Single Flush
Mounting Options	IPS Panelling, Furniture & Walls
Material	ABS

Visit our website



## 03 Buttons and Plates

### Dualflush Push Plates

#### Drift™ Pneumatic Push Plate



##### BUTTONS & PUSH PLATES // WASHROOM FILL & FLUSH

The NEW Drift™ pneumatic push plate is designed for use with Dudley concealed cisterns and Illusion A and V frames, its round actuators encased by a rectangular plate - ideal for modern spaces.

##### Water Saving

- Dual flush operation for full and water saving reduced flush

##### Features

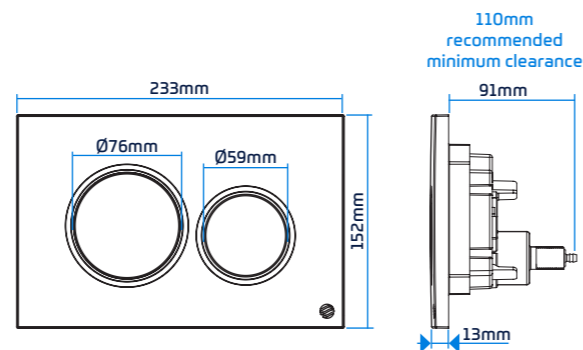
- 233mm [W] x 152mm [H] x 13mm [D]
- Dualflush

- Smooth pneumatic operation
- Chrome plated finish
- Anti-finger trap design
- Can be positioned up to 250mm from the cistern

##### Options

- Brushed Nickel
- Matt Black
- Soft Touch Grey
- Satin Brass
- Bespoke finishes available, please enquire

Product	Code
Drift™ Dualflush Push Plate - Chrome	372565
Drift™ Dualflush Push Plate - Brushed Nickel	372925
Drift™ Dualflush Push Plate - Matt Black	372918
Drift™ Dualflush Push Plate - Soft Touch Grey	373324
Drift™ Dualflush Push Plate - Satin Brass	375049

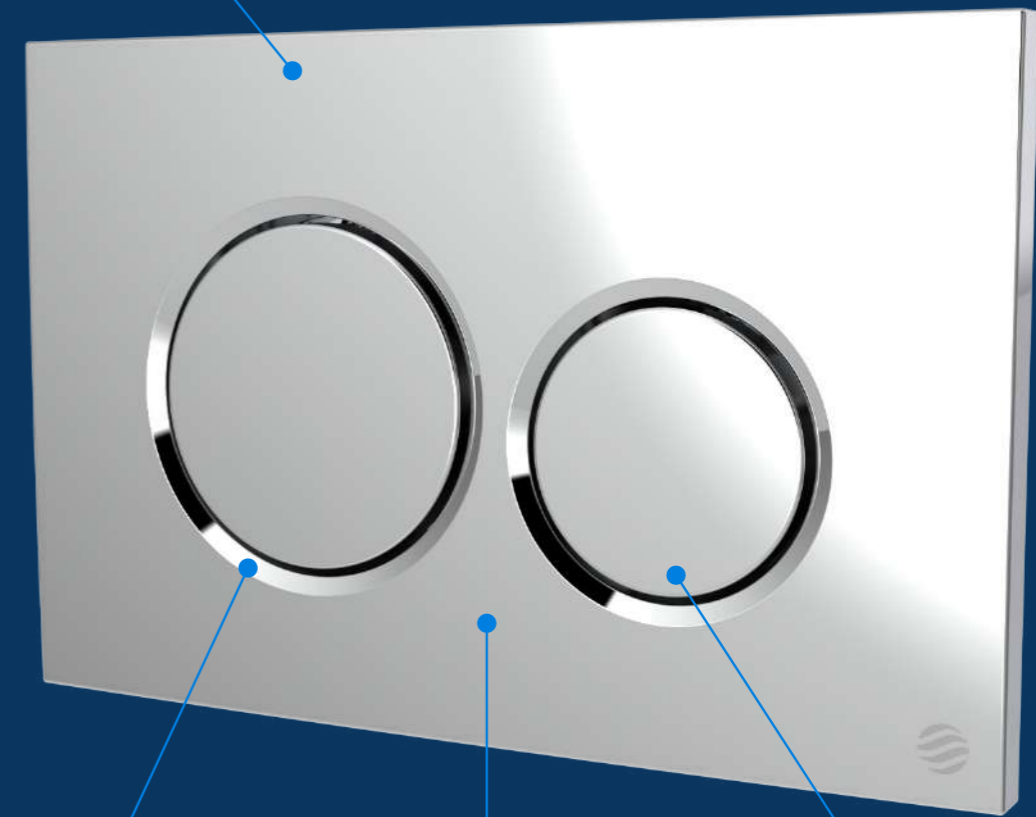


Technical Data	
Wall Thickness	>5mm
Installation Aperture	205mm x 118mm
Fixing Type	Mounted Chassis (Screws Supplied)
Operation	Pneumatic
Flush Option	Dual Flush
Mounting Options	IPS Panelling, Furniture & Walls
Material	ABS
RAL Colours*	Brushed Nickel – RAL 9007 Matt Black – RAL 9017 Soft Touch Grey – RAL 7016 Satin Brass - RAL 080 70 50

\*Indicative only

#### Drift™ Pneumatic Push Plate

Brushed Nickel, Matt Black, Soft Touch Grey & Satin Brass finishes also available



Anti-finger trap design

Smooth pneumatic operation

Modern design rings to enhance any project

Visit our website



## 03 Buttons and Plates

### Dualflush Push Plates

#### Reef™ Pneumatic Push Plate

##### BUTTONS & PUSH PLATES // WASHROOM FILL & FLUSH

Designed for use with Dudley concealed cisterns and Illusion A and V frames.

##### Water Saving

- Dual flush operation for full and water saving reduced flush

##### Features

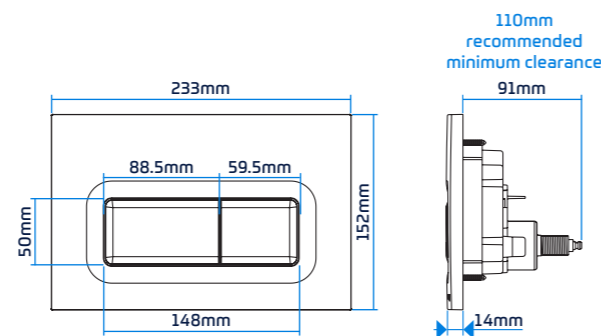
- 233mm [W] x 152mm [H] x 13mm [D]
- Dualflush

- Smooth pneumatic operation
- Chrome plated finish
- Can be positioned up to 250mm from the cistern

##### Options

- Brushed Nickel
- Matt Black
- Soft Touch Grey
- Satin Brass
- Bespoke finishes available, please enquire

Product	Code
Reef™ Dualflush Push Plate - Chrome	326393
Reef™ Dualflush Push Plate - Brushed Nickel	373567
Reef™ Dualflush Push Plate - Matt Black	375775
Reef™ Dualflush Push Plate - Soft Touch Grey	373555
Reef™ Dualflush Push Plate - Satin Brass	375050

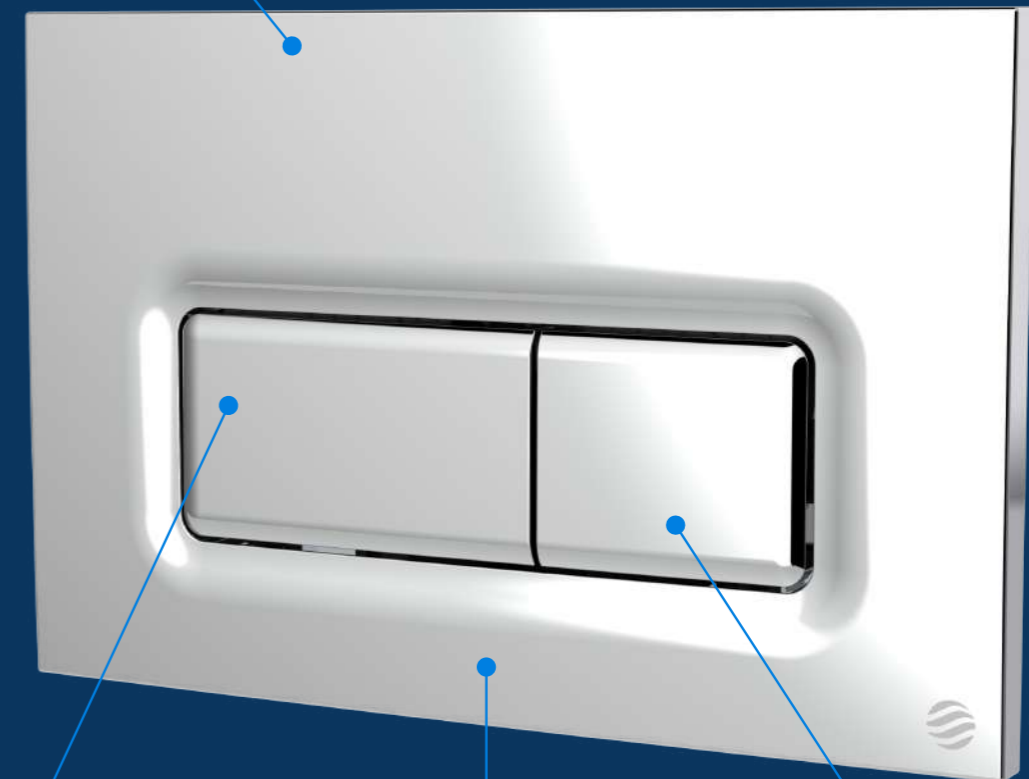


Technical Data	
Wall Thickness	>5mm
Installation Aperture	205mm x 118mm
Fixing Type	Mounted Chassis (Screws Supplied)
Operation	Pneumatic
Flush Option	Dual Flush
Mounting Options	IPS Panelling, Furniture & Walls
Material	ABS
RAL Colours*	Brushed Nickel – RAL 9007 Matt Black – RAL 9017 Soft Touch Grey – RAL 7016 Satin Brass – RAL 080 70 50

\*Indicative only

#### Reef™ Pneumatic Push Plate

Brushed Nickel, Matt Black, Soft Touch Grey & Satin Brass finishes also available



Square flush buttons

Smooth pneumatic operation

Sleek Contemporary design to enhance any project

Visit our website



## 03 Buttons and Plates

### Dualflush Push Plates

#### Coral™ Pneumatic Push Plate

##### BUTTONS & PUSH PLATES // WASHROOM FILL & FLUSH

Designed for use with Dudley concealed cisterns and Illusion A and V frames.

##### Water Saving

- Dual flush operation for full and water saving reduced flush

##### Features

- 233mm [W] x 152mm [H] x 13mm [D]
- Dualflush
- Smooth pneumatic operation
- Chrome plated finish
- Can be positioned up to 250mm from the cistern

##### Options

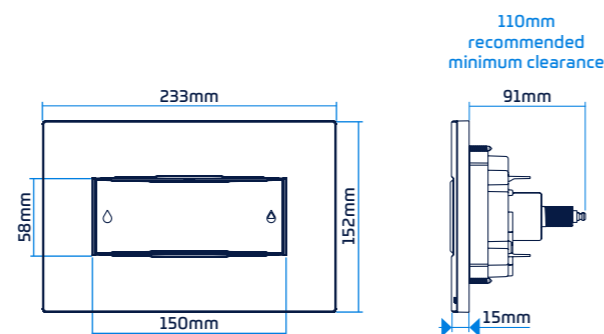
- Brushed Nickel
- Matt Black
- Soft Touch Grey
- Satin Brass
- Bespoke finishes available, please enquire



Brushed Nickel, Matt Black, Soft Touch Grey & Satin Brass finishes also available



Product	Code
Coral™ Dualflush Push Plate, Chrome	326392
Coral™ Dualflush Push Plate, Brushed Nickel	373568
Coral™ Dualflush Push Plate, Matt Black	375774
Coral™ Dualflush Push Plate, Soft Touch Grey	373556
Coral™ Dualflush Push Plate, Satin Brass	375057



Technical Data	
Wall Thickness	>5mm
Installation Aperture	205mm x 118mm
Fixing Type	Mounted Chassis (Screws Supplied)
Operation	Pneumatic
Flush Option	Dual Flush
Mounting Options	IPS Panelling, Furniture & Walls
Material	ABS
RAL Colours*	Brushed Nickel – RAL 9007 Matt Black – RAL 9017 Soft Touch Grey – RAL 7016 Satin Brass – RAL 080 70 50

\*Indicative only

Visit our website



#### Oyster™ Pneumatic Push Plate

##### BUTTONS & PUSH PLATES // WASHROOM FILL & FLUSH

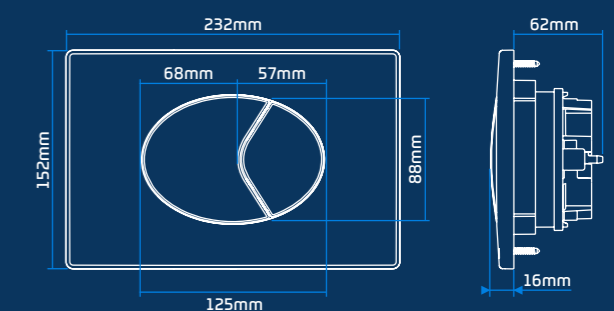
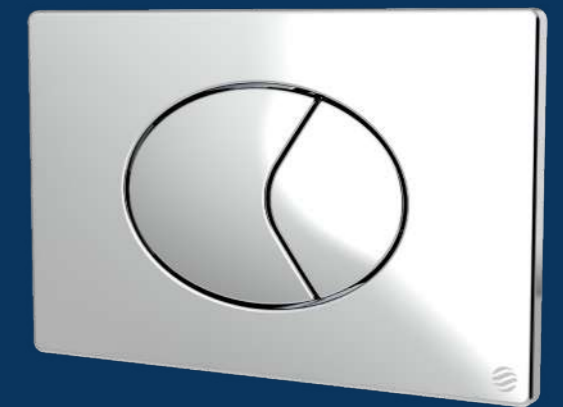
Designed for use with Dudley concealed cisterns and Illusion A and V frames.

##### Water Saving

- Dual flush operation for full and water saving reduced flush

##### Features

- 232mm [W] x 152mm [H] x 16mm [D]
- Dualflush
- Smooth pneumatic operation
- Chrome plated finish
- Can be positioned up to 250mm from the cistern



Technical Data	
Wall Thickness	5 - 46mm
Installation Aperture	205mm x 118mm
Fixing Type	Mounted Chassis (Screws Supplied)
Operation	Pneumatic
Flush Option	Dual Flush
Mounting Options	IPS Panelling, Furniture & Walls
Material	ABS

Visit our website



## 03 Buttons and Plates

### Dualflush Push Plates

#### Pearl™ Pneumatic Push Plate

##### BUTTONS & PUSH PLATES // WASHROOM FILL & FLUSH

Designed for use with Dudley concealed cisterns and Illusion A and V frames.

Compatible with furniture, tiles, partitioning and walls.

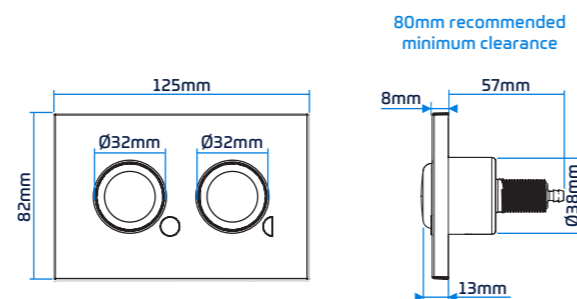
##### Water Saving

- Dual flush operation for full and water saving reduced flush

##### Features

- 125mm [W] x 82mm [H] x 12mm [D]
- Dualflush
- Smooth pneumatic operation
- Chrome plated finish
- Can be positioned up to 250mm from the cistern

Product	Code
Pearl™ Dualflush Push Plate	324697



Technical Data	
Wall Thickness	≥2mm
Installation Aperture	90mm x 40mm 2 x Ø40mm @ 50mm CTRS [buttons]
Fixing Type	Mounted Chassis (Screws Supplied)
Operation	Pneumatic
Flush Option	Dual Flush
Mounting Options	IPS Panelling, Furniture & Walls
Material	ABS

Visit our website



#### Pearl Palm™ Pneumatic Push Plate

##### BUTTONS & PUSH PLATES // WASHROOM FILL & FLUSH

Designed for use with Dudley concealed cisterns and Illusion A and V frames.

Compatible with furniture, tiles, partitioning and walls.

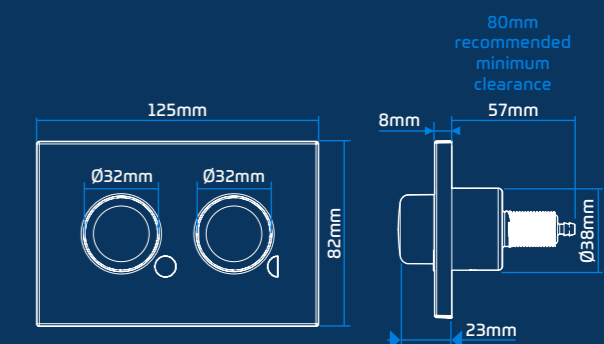
##### Water Saving

- Dual flush operation for full and water saving reduced flush

##### Features

- 125mm [W] x 82mm [H] x 23mm [D]
- Dualflush
- Smooth pneumatic operation
- Chrome plated finish
- Can be positioned up to 250mm from the cistern
- The raised button design on the Pearl Palm™ is particularly beneficial for those who struggle with a shallow button depth, the raised palm push design allows for the user to apply pressure using other appendages (like elbow or back of hand) in order to effectively activate the flush

Product	Code
Pearl Palm™ Dualflush Push Plate	324762



Technical Data	
Wall Thickness	≥2mm
Installation Aperture	90mm x 40mm 2 x Ø40mm @ 50mm CTRS [buttons]
Fixing Type	Mounted Chassis (Screws Supplied)
Operation	Pneumatic
Flush Option	Dual Flush
Mounting Options	IPS Panelling, Furniture & Walls
Material	ABS

Visit our website



## 03 Buttons and Plates

### Infra-red Plates

#### Wave™ S1 Infra-red Plate

##### BUTTONS & PUSH PLATES // WASHROOM FILL & FLUSH

Designed for use with Dudley concealed cisterns and Illusion A and V frames.

##### Water Saving

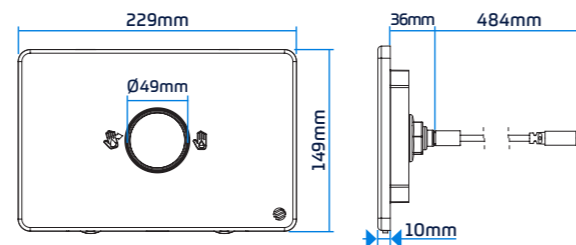
- Dual flush operation for full and water saving reduced flush

##### Features

- 229mm [W] x 149mm [H] x 10mm [D]
- Dualflush
- Brushed 304 stainless steel
- Hygienic touch free operation
- Interactive sensor indicates full or reduced flush activation
- Vandal-resistant design
- Can be positioned up to 250mm from the cistern
- Compatible as a replacement for other Dudley Electroflo™ sensors and flush plates



Product	Code
Wave™ S1 Dualflush Infra-red Push Plate	326394



Technical Data	
Wall Thickness	>5mm [with supplied tunnel]
Installation Aperture	205mm x 118mm
Fixing Type	Mounted Chassis (Screws Supplied)
Operating Voltage	6V DC (Transformer Supplied)
Nominal Voltage	230V AC
Sensor Range	50mm
Fill Delay Time	30secs
Flush Option	Dual Flush
Mounting Options	IPS Panelling, Furniture & Walls
Material	ABS

Visit our website



#### Wave™ S2 Infra-red Plate

##### BUTTONS & PUSH PLATES // WASHROOM FILL & FLUSH

Designed for use with Dudley concealed cisterns and Illusion A and V frames.

##### Water Saving

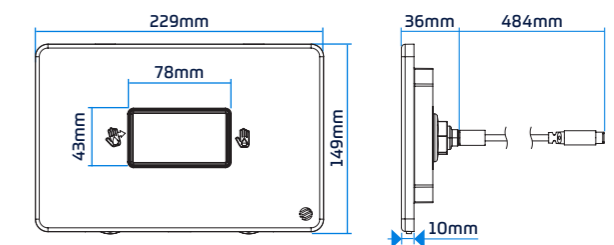
- Dual flush operation for full and water saving reduced flush

##### Features

- 229mm [W] x 149mm [H] x 10mm [D]
- Dualflush
- Brushed 304 stainless steel
- Hygienic touch free operation
- Interactive sensor indicates full or reduced flush activation
- Vandal-resistant design
- Can be positioned up to 250mm from the cistern
- Compatible as a replacement for other Dudley Electroflo™ sensors and flush plates



Product	Code
Wave™ S2 Dualflush Infra-red Push Plate	326395



Technical Data	
Wall Thickness	>5mm [with supplied tunnel]
Installation Aperture	205mm x 118mm
Fixing Type	Mounted Chassis (Screws Supplied)
Operating Voltage	6V DC (Transformer Supplied)
Nominal Voltage	230V AC
Sensor Range	50mm
Fill Delay Time	30secs
Flush Option	Dual Flush
Mounting Options	IPS Panelling, Furniture & Walls
Material	ABS

Visit our website



## 03 Buttons and Plates

### Infra-red Plates

#### Wave S3™ Intelligent Infra-red Plate

##### BUTTONS & PUSH PLATES // WASHROOM FILL & FLUSH

The Wave S3 Intelligent Infra-red Push Plate combines state-of-the-art technology with cutting edge contemporary styling to provide commercial and domestic installations with a high-end flushing solution with a premium designer finish.

##### Water Saving

- Intuitive, touch free operation in conjunction with a Dudley Niagara pneumatic valve provides full and a water saving reduced flush.

##### Features

- 242mm [W] x 156mm [H] x 12mm [D]
- Dualflush
- Hygienic touch free operation

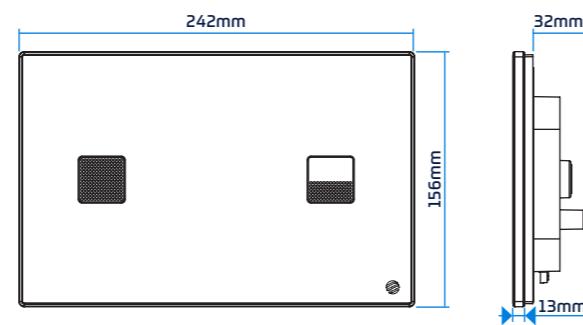
Product	Code
Wave S3™ Dualflush Infra-red Push Plate - Radius Corners	330262
Wave S3™ Dualflush Infra-red Push Plate - Square Corners	330261



- 7cm approx. Flush Sensor Range
- Three sensor range set-up options: Default, Automatic or Manual
- Compatible with Dudley Illusion A Frame
- Compatible with all Dudley Vantage and Miniflo cisterns
- Scratch and graffiti resistant coating reduces the risk of damage to the front window
- Incorporates discrete, tamper resistant, quick release locks for easy service access
- Dedicated branding and custom status icons available [Subject to order quantity]

##### Options

- Square Corners
- Radius Corners



Technical Data	
Wall Thickness	>5mm [with supplied tunnel]
Installation Aperture	205mm x 118mm
Fixing Type	Mounted Chassis (Screws Supplied)
Operating Voltage	6V DC (Transformer Supplied)
Nominal Voltage	230V AC 50Hz
Ingress Protection	IP 45
Detection Sensor Range	1.8m Maximum
Flush Sensor Range	7cm Approx. Maximum
Fill Delay Time	Adjustable 15 - 120secs
Installation Requirement	When raised the WC seat and lid must not obstruct the wave unit in any way
Mounting Options	IPS Panelling, Furniture & Walls
Material	ABS

#### Wave S3™ Intelligent Infra-red Plate

Pre-set illumination sequence changes the colour of flushing icons according to status; **Blue** 'senses a user and is ready to flush', **Green** 'flushing' and **Red** 'refilling'

Each unit is powered by **6V DC** powered through a mains transformer – no need to worry about changing batteries

Protective coated acrylic reduces **risk of scratching**

Available in **geometric (square)** corner and **soft (radius)** corner formats

Comes complete with discrete **quick release locks** for **easy service access**

Delay fill timer can be **easily adjusted** on the back of the flush plate for **differing cistern sizes** and flow rates – **preventing early flushing** before the cistern is completely refilled

Can be **easily installed** in a matter of minutes. Air output buttons make set-up **quick** and **simple** and allow the Wave S3 to be configured to each individual installation

Mounts to **partitioning** and **panelling** materials and onto walls using a Dudley Vantage maintenance tunnel

Visit our website



## 03 Buttons and Plates

### Vandal-Resistant Buttons and Plates

#### Metal Royal™ Push Button

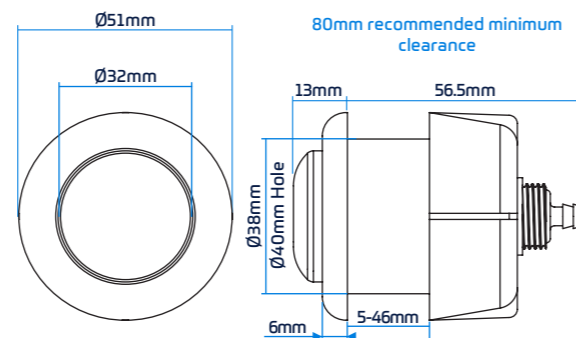
**BUTTONS & PUSH PLATES // WASHROOM FILL & FLUSH**  
Designed for use with Dudley pneumatic cisterns. Ideal for applications where risk of vandalism or misuse is present.

##### Features

- 51mm diameter
- Single flush
- Stainless steel construction
- Smooth pneumatic operation



Product	Code
Metal Royal™ Push Button	321685



Technical Data	
Wall Thickness	5-46mm
Installation Aperture	Ø38-40mm
Fixing Type	Back Nut (Reversible)
Button Operation	Pneumatic
Flush Option	Single Flush
Mounting Options	IPS Panelling, Furniture & Walls
Material	ABS

Visit our website



#### Flat Metal™ Vandal-Resistant Push Button

**BUTTONS & PUSH PLATES // WASHROOM FILL & FLUSH**  
Designed for use with Dudley pneumatic cisterns. Ideal for applications where risk of vandalism or misuse is present.

##### Features

- 63.5mm diameter
- Single flush
- High impact vandal-resistant stainless steel construction
- Only works with Pushflo concealed cistern, see page 52 [with Pinto Valve]
- Flat metal button cannot be unscrewed from the front, providing an anti-ligature solution
- Smooth pneumatic operation

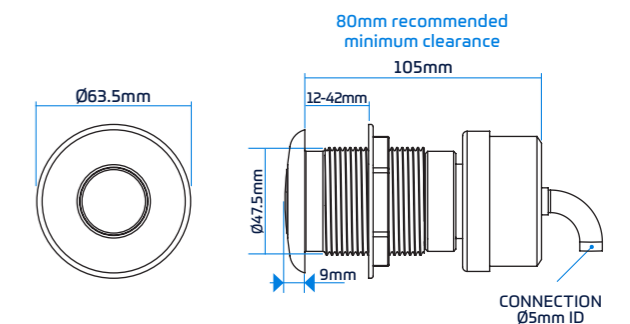
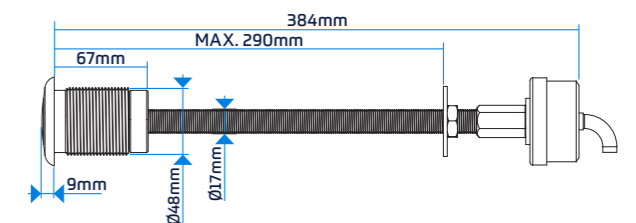
##### Options

- Extended spacer to suit Dudley Niagara Flush Valve

Product	Code
Flat Metal™ Vandal-Resistant Push Button	319473
Flat Metal™ Vandal-Resistant Push Button - Extended	330153



##### Extended Option



Technical Data	
Wall Thickness	12-42mm [extended option available]
Installation Aperture	Ø48mm
Fixing Type	Back Nut
Button Operation	Pneumatic
Flush Option	Single Flush
Mounting Options	IPS Panelling, Furniture & Walls
Material	ABS

Visit our website



## 03 Buttons and Plates

### Vandal-Resistant Buttons and Plates

#### Metal Pearl™ Vandal-Resistant Push Plate

##### BUTTONS & PUSH PLATES // WASHROOM FILL & FLUSH

Designed for use with Dudley pneumatic cisterns. Ideal for applications where risk of vandalism or misuse is present.

##### Water Saving

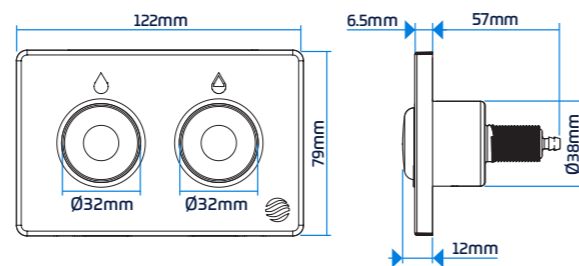
- Dual flush operation provides reduced flush for enhanced water saving

##### Features

- 122mm [W] x 79mm [H] x 12mm [D]
- Dualflush
- High impact vandal-resistant stainless steel construction
- Smooth pneumatic operation
- Brushed steel finish



Product	Code
Metal Pearl™ Vandal-Resistant Push Plate - Brushed Steel	326488



Technical Data	
Wall Thickness	≥2mm
Installation Aperture	90mm x 40mm 2 x Ø40mm @ 50mm CTRS [buttons]
Fixing Type	Mounted Chassis (Screws Supplied)
Operation	Pneumatic
Flush Option	Dual Flush
Mounting Options	IPS Panelling, Furniture & Walls
Material	ABS

Visit our website



#### Remora™ Vandal-Resistant Push Plate

##### BUTTONS & PUSH PLATES // WASHROOM FILL & FLUSH

Designed for use with Dudley pneumatic cisterns. Ideal for applications where risk of vandalism or misuse is present.

##### Water Saving

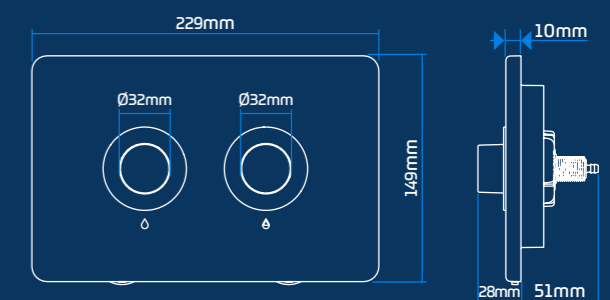
- Dual flush operation provides reduced flush for enhanced water saving

##### Features

- 230mm [W] x 150mm [H] x 10mm [D]
- Dualflush
- High impact vandal-resistant stainless steel construction
- Smooth pneumatic operation
- Stainless Steel AISI 304 finish



Product	Code
Remora™ Vandal-Resistant Push Plate Satin 304G Stainless Steel Button	327227



Technical Data	
Wall Thickness	5-46mm
Installation Aperture	205mm x 118mm
Fixing Type	Mounted Chassis (Screws Supplied)
Operation	Pneumatic
Mounting Options	IPS Panelling, Furniture, Walls
Material	Stainless Steel AISI 304

Visit our website



# Touch-Free

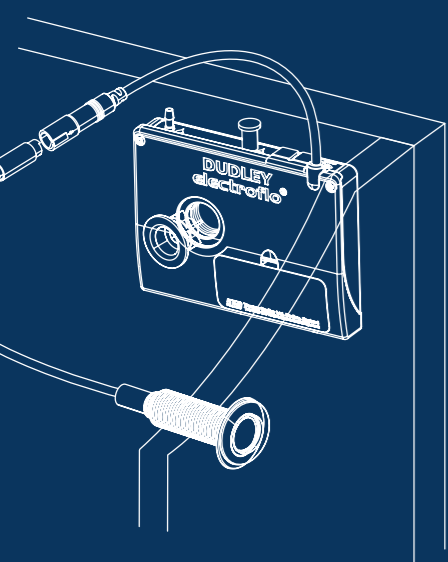
## EFFORTLESS HYGIENE



Whatever the washroom, it's the details in your vision that make the difference.

Thomas Dudley offers a range of touchless solutions which eliminate the need for physical contact and ensures maximum hygiene is maintained.

With a choice of designer led styles and finishes Thomas Dudley is here to meet your design needs and take on your vision with innovation, experience, and confidence.



## EFFORTLESS HYGIENE

Save water and maintain hygiene with our touch-free flushing range.

Thomas Dudley's range of hygienic touch-free taps, controls and dispensers provide cutting-edge aesthetics, state-of-the-art technology, and reliable operation for any commercial project.



Please see Button, Cistern and Frame Compatibility Chart on Pg 96

## 04 Touch-Free Taps

### Electroflo® Contemporary™ Touch Free Infra-red Tap

#### TOUCH FREE // WASHROOM FILL & FLUSH

The Electroflo Contemporary Tap is a vanity top/ basin mounted electronic tap.

Ideal for use in most domestic and commercial applications. Its contemporary design will improve the look of any washroom

#### Water Saving

- Delivering as little as 1 litre of water per visit. Supports BREEAM

#### Features

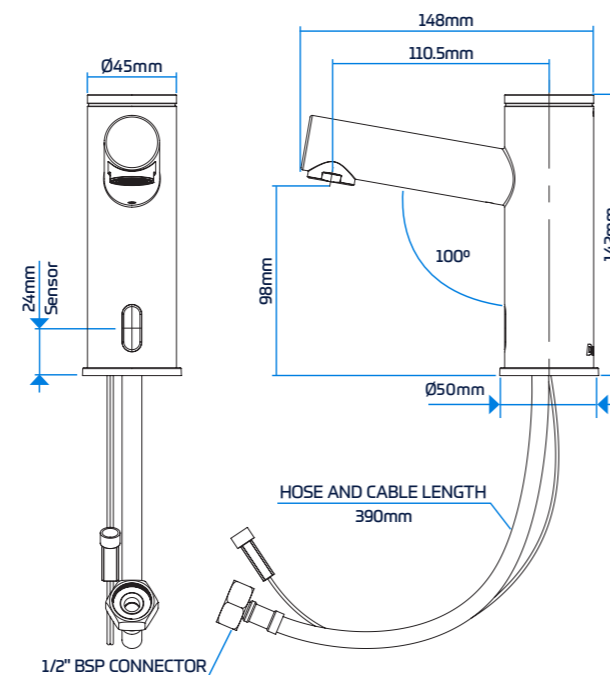
- Stylish tubular design
- Hygienic touch-free operation
- Robust brass body and vandal resistant design
- Attractive chrome plated, stainless steel effect or black finishes are available
- Delivers cold or premixed warm water
- Must be installed with a thermostatic mixing valve for premixed water

- Shuts off when hand is removed from in front of the sensor
- Pre-fitted with 5LPM flow regulator
- ½" BSP connection
- Suitable for pressures of 0.5 - 8.0 bar. 8.0+ with a flow restrictor
- 50mm - 300mm sensor range
- Maximum temperature 70°
- Fail safe feature automatically closes the solenoid when power is cut or power is very low
- Standard 5L - 3.5, 2.5, 1 LPM also available

#### Options

- Polished Chrome
- Stainless Steel Effect
- Matt Black
- 316G stainless steel
- Mains/Battery

Product	Code
Electroflo® Contemporary™ Touch Free Infra-red Tap - Polished Chrome - Mains	323681
Electroflo® Contemporary™ Touch Free Infra-red Tap - Polished Chrome - Battery	323680
Electroflo® Contemporary™ Touch Free Infra-red Tap - Stainless Steel Effect - Mains	327965
Electroflo® Contemporary™ Touch Free Infra-red Tap - Matt Black - Mains	327966



Technical Data	
Operating Voltage	9V DC
Mains supply	230V AC 50Hz
Battery supply	9V PP3
Sensor range	50 - 300mm (220mm preset)
Max. water temperature	70° C
Flow Rate	5L Per Minute Standard*
Connection	15mm Compression
RAL Colours*	Matt Black - RAL 9017

### Electroflo® Contemporary™



Available in **Polished Chrome, Stainless Steel Effect and Matt Black finishes**



Visit our website



## 04 Touch-Free Taps

### Electroflo® Horizon™ Touch-Free Infra-red Tap

TOUCH FREE // WASHROOM FILL & FLUSH

The Horizon Electroflo Tap is a vanity top / basin mounted electronic taps.

Ideal for use in most domestic and commercial applications. Mounted horizontally this tap is a perfect match to our Dudley Horizon Soap Dispenser.

#### Water Saving

- Delivering as little as 1 litre of water per visit for advanced water savings and also supports BREEAM

#### Features

- Minimalistic styling
- Hygienic touch-free operation
- Robust brass body and vandal resistant design
- Delivers cold or premixed warm water (thermostatic mixing valve required for premixed water)
- Shuts off when hand is removed from in front of the sensor
- ½" BSP connection
- Suitable for pressures of 0.5 - 8.0 bar. 8.0+ with a flow restrictor
- 50mm - 300mm sensor range
- Maximum temperature 70°
- Fail safe feature automatically closes the solenoid when power is cut or power is very low
- Pre-fitted with 5LPM flow regulator
- Standard 5L - 3.5, 2.5, 1 LPM also available

#### Options

- Polished Chrome
- Stainless Steel Effect
- Matt Black
- 316G stainless steel
- Mains/Battery

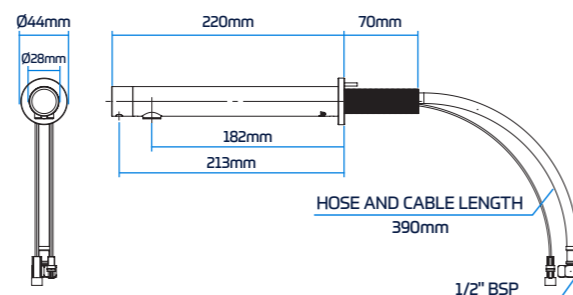


Product	Code
Electroflo® Horizon™ Touch Free Infra-red Tap - Polished Chrome - Mains	324329
Electroflo® Contemporary™ Touch Free Infra-red Tap - Polished Chrome - Battery	324328
Electroflo® Contemporary™ Touch Free Infra-red Tap - Stainless Steel Effect - Mains	327968
Electroflo® Contemporary™ Touch Free Infra-red Tap - Matt Black - Mains	327969

Visit our website



Stainless Steel Effect & Matt Black finishes also available



#### Technical Data

Operating Voltage	6 x 1.5V AA externally mounted batteries or mains/transformer powered
Mains supply	230V AC 50Hz
Battery supply	6 x 1.5V AA externally mounted batteries
Sensor Range	50mm - 300mm
Max. water temperature	70° C
Flow Rate	5L Per Minute Standard (1.9 - 3.5L available)
Water Pressure	0.5 - 8.0 Bar
Connection	15mm Compression
RAL Colours*	Matt Black - RAL 9017

\*Indicative only

### Electroflo® Arc™ Touch Free Infra-red Tap

TOUCH FREE // WASHROOM FILL & FLUSH

The Arc Electroflo Tap is a vanity top / basin mounted electronic tap.

Ideal for use in most domestic and commercial applications. Its curved design makes this tap great for small spaces.

#### Water Saving

- Delivering as little as 1 litre per visit for advanced water saving and also supports BREEAM.

#### Features

- Classic swan neck design
- Hygienic touch free operation
- Delivers cold or premixed water (thermostatic mixing valve required for premixed water)
- Robust brass body and vandal-resistant design
- ½" BSP connection
- Tap shuts off when hand is removed from sensor
- Integrated hygiene mode to cycle the tap automatically every 24 hours
- Optional remote to adjust settings/maintenance
- Fail safe feature automatically closes the solenoid when power is cut or power is very low
- Standard 5L - 3.5, 2.5, 1 LPM also available

#### Options

- Polished Chrome
- Stainless Steel Effect
- Mains/Battery

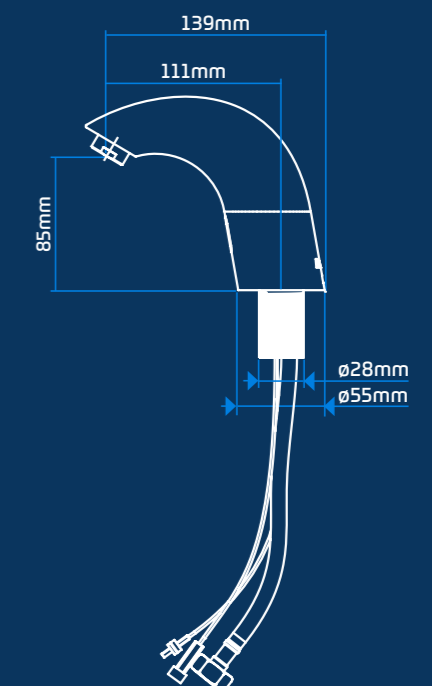


Product	Code
Electroflo® Arc™ Touch Free Infra-red Tap Polished Chrome - Mains	327972
Electroflo® Arc™ Touch Free Infra-red Tap Polished Chrome - Battery	330769
Electroflo® Arc™ Touch Free Infra-red Tap Stainless Steel - Mains	327973

Visit our website



Stainless Steel Effect finish also available



#### Technical Data

Operating Voltage	9V DC
Mains Supply	230V AC 50Hz
Battery Supply	9V PP3
Sensor Range	50MM - 300MM
Max Water Temperature	70°C
Flow Rate	6L Per Minute Standard (1.9 - 3.5L available)
Water Pressure	0.5 - 8.0 Bar
Connection	15mm Compression

## 04 Touch-Free Taps

### Electroflo® Linear™ Touch-Free Infra-red Tap

#### TOUCH FREE // WASHROOM FILL & FLUSH

The Linear Electroflo Tap is a vanity top / basin mounted electronic tap.

Ideal for use in most domestic and commercial applications. Angled to around 45° this tap looks stylish and modern, a perfect combination for modern washrooms.

#### Water Saving

- Delivering as little as 1 litre of water per visit for advanced water savings and also supports BREEAM

#### Features

- Minimalistic styling
- Hygienic touch-free operation
- Robust brass body and vandal resistant design
- Delivers cold or premixed warm water (thermostatic mixing valve required for premixed water)
- Shuts off when hand is removed from in front of the sensor
- Water delivery automatically stops after 90 seconds (can be adjusted)
- ½" BSP connection
- Suitable for pressures of 0.5 - 8.0 bar. 8.0+ with a flow restrictor
- 50mm - 300mm sensor range
- Maximum temperature 70°
- Fail safe feature automatically closes the solenoid when power is cut or power is very low
- 15mm Pushfit connection
- Pre-fitted with 5LPM flow regulator
- Standard 5L - 3.5, 2.5, 1 LPM also available

#### Options

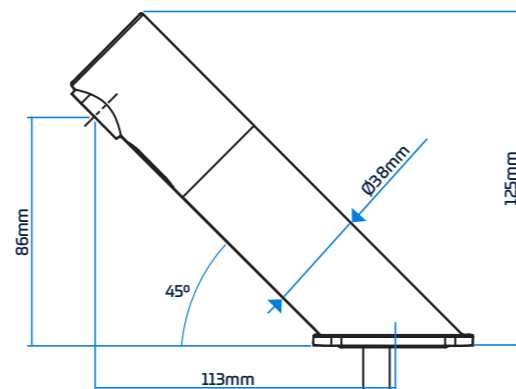
- Polished Chrome
- Stainless Steel Effect
- Mains/Battery



Product	Code
Electroflo® Linear™ Touch Free Infra-red Tap - Polished Chrome - Mains	323685
Electroflo® Linear™ Touch Free Infra-red Tap - Polished Chrome - Battery	323684
Electroflo® Linear™ Touch Free Infra-red Tap - Stainless Steel Effect - Mains	327967



Stainless Steel Effect finish also available



Tail Length: 335mm  
Fixing: 2-42mm

Technical Data	
Operating Voltage	9V DC
Mains supply	230V AC 50Hz
Battery supply	9V PP3
Sensor Range	50 - 300mm (220mm preset)
Max. water temperature	70° C
Flow Rate	5L Per Minute Standard (1.9 - 3.5L available)
Water Pressure	0.5 - 8.0 Bar
Connection	15mm Compression

Visit our website



### Electroflo® Avanti™ Touch Free Infra-red Tap

#### TOUCH FREE // WASHROOM FILL & FLUSH

The Avanti Electroflo Tap is a vanity top / basin mounted electronic tap.

Ideal for use in most domestic and commercial applications. Angled in a pleasing way to ensure that hands can be easily placed in the waterflow while retaining the ability to be mounted in a reduced space area.

#### Water Saving

- Delivering as little as 1 litre per visit for advanced water saving and also supports BREEAM.

#### Features

- Sleek minimalist design
- Hygienic touch free operation
- Delivers cold or premixed water (thermostatic mixing valve required for premixed water)
- Robust brass body and vandal-resistant design
- 15mm push-fit connection
- Tap shuts off when hand is removed from sensor
- Fail safe feature automatically closes the solenoid when power is cut or power is very low
- Standard 5L - 3.5, 2.5, 1 LPM also available

#### Options

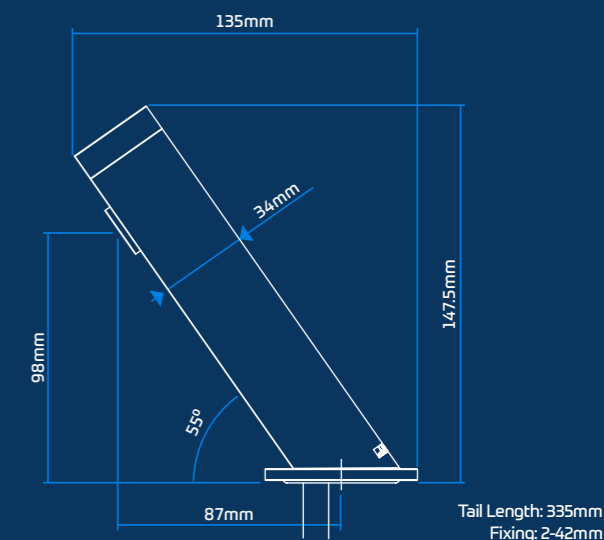
- Polished Chrome
- Stainless Steel Effect
- Mains/Battery



Product	Code
Electroflo® Avanti™ Touch Free Infra-red Tap Polished Chrome - Mains	326400
Electroflo® Avanti™ Touch Free Infra-red Tap Polished Chrome - Battery	326399
Electroflo® Avanti™ Touch Free Infra-red Tap Stainless Steel - Mains	326575
Electroflo® Avanti™ Touch Free Infra-red Tap Stainless Steel - Battery	326574



Stainless Steel Effect finish also available



Tail Length: 335mm  
Fixing: 2-42mm

Technical Data	
Operating Voltage	9V DC
Mains Supply	230V AC 50Hz
Battery Supply	9V PP3
Sensor Range	50MM - 300MM
Max Water Temperature	70° C
Flow Rate	6L Per Minute Standard (1.9 - 3.5L available)
Water Pressure	0.5 - 8.0 Bar
Connection	15mm Push-fit

Visit our website



## 04 Touch-Free Soap Dispensers

### Electroflo® Contemporary™ Touch-Free Infra-red Soap Dispenser

#### TOUCH FREE // WASHROOM FILL & FLUSH

The Electroflo Contemporary Soap Dispenser is a hygienic touch free dispenser suitable for vanity top or basin mounting.

For use with liquid soaps, anti-bacterial gels and ethanol based sanitisers, this contemporary design will improve the look of any washroom.

#### Features

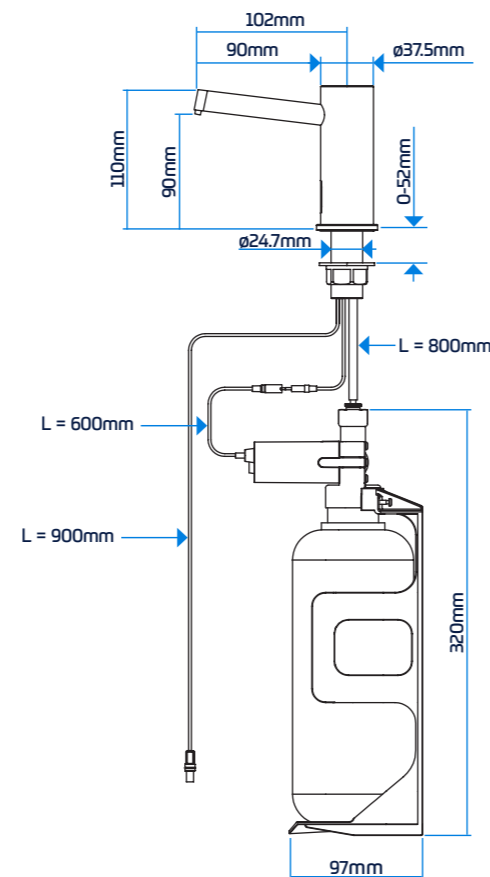
- Stylish tubular design
- Hygienic touch-free operation
- Robust brass body
- ½" BSP connection
- 1 litre capacity
- Can be used with soap viscosity of 0-3800 cps
- 50mm - 300mm sensor range

#### Options

- Polished Chrome
- Stainless Steel Effect
- Matt Black
- Mains/Battery

Product	Code
Electroflo® Contemporary™ Touch Free Infra-red Soap Dispenser - Polished Chrome - Mains	324327
Electroflo® Contemporary™ Touch Free Infra-red Soap Dispenser - Polished Chrome - Battery	326437
Electroflo® Contemporary™ Touch Free Infra-red Soap Dispenser - Stainless Steel - Mains	327974
Electroflo® Contemporary™ Touch Free Infra-red Soap Dispenser - Matt Black - Mains	327975

Stainless Steel Effect & Matt Black finishes also available



Technical Data	
Operating Voltage	9V DC
Mains supply	230V AC 50Hz
Battery supply	6 x 1.5V D Batteries
Sensor Range	50 - 300mm
RAL Colours*	Matt Black - RAL 9017

\*Indicative only

Visit our website



### Electroflo® Horizon™ Touch Free Infra-red Soap Dispenser

#### TOUCH FREE // WASHROOM FILL & FLUSH

The Horizon Soap Dispenser. A wall mounted electronic dispenser for use with liquid soaps, anti-bacterial gels and ethanol based sanitisers.

Stylish and minimal, this touch-free soap dispenser will bring a touch of class to any washroom.

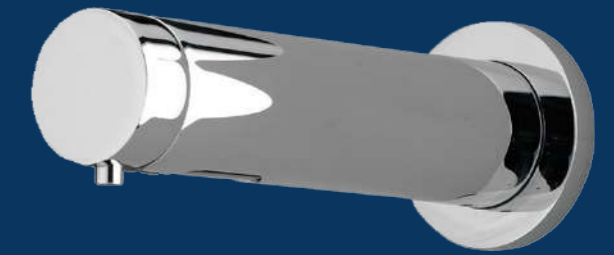
#### Features

- Minimalistic design
- Hygienic touch free operation
- Robust brass body
- ½" BSP connection
- 1 litre capacity
- Can be used with soap viscosity of 0-3800 cps
- 50mm - 300mm sensor range

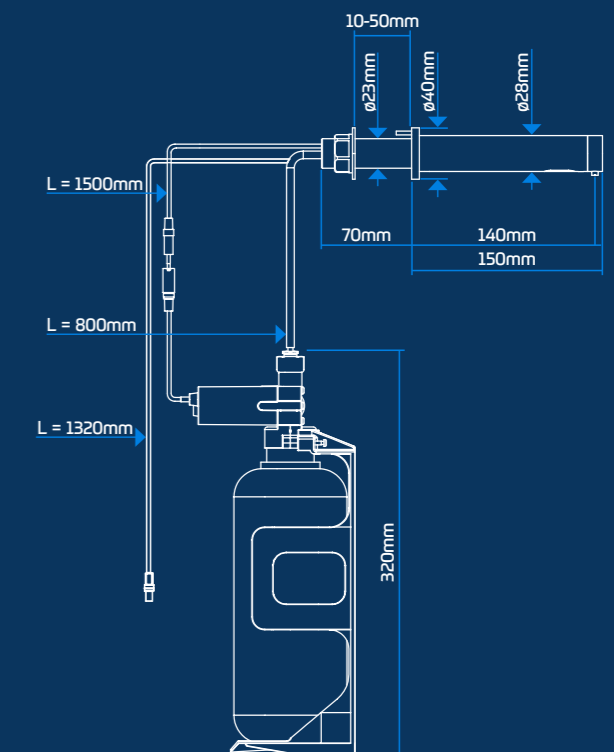
#### Options

- Polished Chrome
- Stainless Steel Effect
- Matt Black
- Mains/Battery

Product	Code
Electroflo® Horizon™ Touch Free Infra-red Soap Dispenser Polished Chrome - Mains	325423
Electroflo® Avanti™ Touch Free Infra-red Soap Dispenser Polished Chrome - Battery	325424
Electroflo® Avanti™ Touch Free Infra-red Soap Dispenser Stainless Steel - Mains	327976
Electroflo® Avanti™ Touch Free Infra-red Soap Dispenser Matt Black - Mains	327977



Stainless Steel Effect & Matt Black finishes also available



Technical Data	
Operating Voltage	9V DC
Mains Supply	230V AC 50Hz
Battery Supply	6 x 1.5V D Batteries
Sensor Range	50MM - 300MM

Visit our website



## 04 Touch-Free WC Controls

### Electroflo® Touch-Free Infra-red WC Flush Sensor

#### TOUCH FREE // WASHROOM FILL & FLUSH

Touch free infra-red WC flushing for use with Dudley Vantage and Miniflo concealed cisterns.

This high quality Touch Free WC Flushing solution is ideal for use in bathroom furniture and behind tiles, partitioning or IPS panelling within domestic or commercial environments.

#### Water Saving

- Dual flush functionality can deliver 6/4, 5/3 or 4/2.6 litre flush volumes

#### Features

- Discreet Ø40mm IR sensor available in chrome and matt black finishes or machined 304 stainless steel
- 100mm IR sensor includes instructional graphics

- Sensor detects a plurality of hand gestures; wave for full flush, hold hand in front of sensor for reduced flush
- LED flush indication
- Post flush sensor delay allows the cistern to refill before another flush can be delivered
- Hygienic touch-free operation
- Control box can be integrally mounted with the sensor at the rear of the panel or independently mounted onto a suitable flat surface

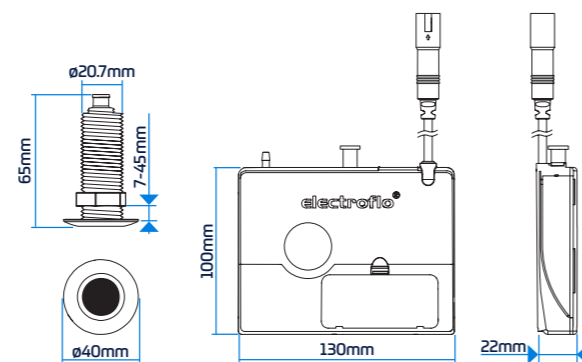
#### Options

- Chrome
- 304 Stainless Steel
- Matt Black
- Brushed Brass
- Single Flush
- Mains/Battery

Product	Code
Electroflo® Touch Free Infra-red WC Flush Sensor – Chrome - Mains - 40mm	333388
Electroflo® Touch Free Infra-red WC Flush Sensor – Chrome - Mains - 100mm	372172
Electroflo® Touch Free Infra-red WC Flush Sensor – Chrome - Battery - 40mm	372173
Electroflo® Touch Free Infra-red WC Flush Sensor – Chrome - Battery - 100mm	372176
Electroflo® Touch Free Infra-red WC Flush Sensor – Stainless Steel - Mains - 40mm	371959
Electroflo® Touch Free Infra-red WC Flush Sensor – Stainless Steel - Battery - 40mm	372175
Electroflo® Touch Free Infra-red WC Flush Sensor – Matt Black - Mains - 40mm	372097
Electroflo® Touch Free Infra-red WC Flush Sensor – Matt Black - Battery - 40mm	372174
Electroflo® Touch Free Infra-red WC Flush Sensor – Satin Brass - Mains - 40mm	Please Enquire
Mains Adapter	323107

Product	Code
Wave™ S1 Touch Free Infra-red Plate	326394
Wave™ S2 Touch Free Infra-red Plate	326395
Wave™ S3 Touch Free Infra-red Plate - Radius Corners	330262
Wave™ S3 Touch Free Infra-red Plate - Square Corners	330261

For touch-free infra-red plates please see pages 76-79



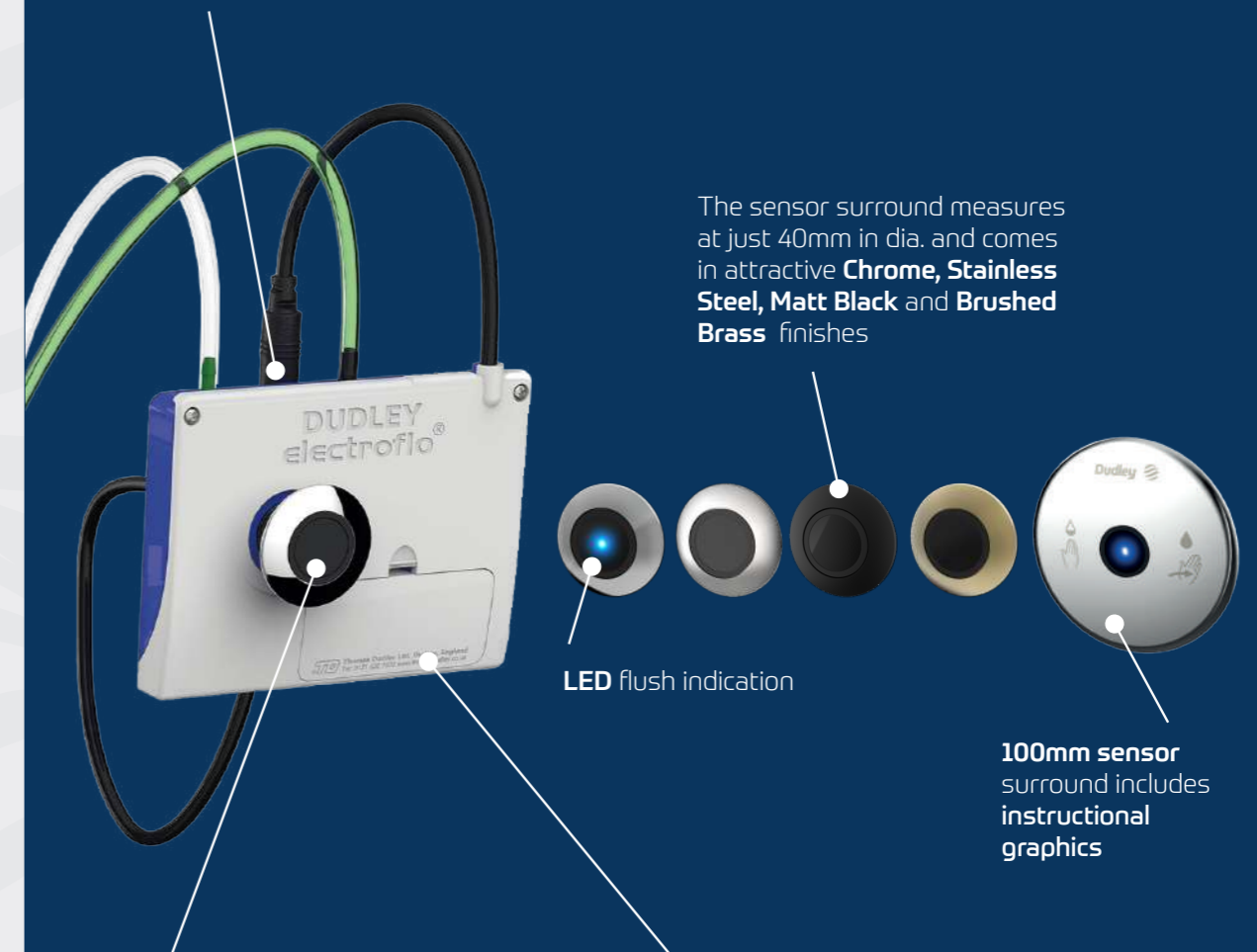
#### Technical Data

Operating Voltage	6V DC
Mains supply	230V AC 50Hz
Battery supply	4 x 1.5V AA
Sensor Cable Length	400mm
Sensor Activation Range	Up to 50mm
Ingress Protection	IP44
Max. Wall Thickness	Up to 45mm (170mm with separate extension kit)
RAL Colours*	Matt Black – RAL 9017 Satin Brass - RAL 080 70 50

\*Indicative only

### Electroflo® Touch Free Infra-red WC Flush Sensor

400mm long sensor cable plugs into the control box via a user-friendly adaptor



The sensor surround measures at just 40mm in dia. and comes in attractive **Chrome, Stainless Steel, Matt Black and Brushed Brass** finishes

LED flush indication

100mm sensor surround includes instructional graphics

Discreet sensor provides water saving **dualflush**. Wave for full flush, hold for reduced flush, this provides a **hygienic touch-free** solution

Powered by **four 1.5V AA** batteries (not inc) or mains via a **240V transformer**

Visit our website



## 05 Compatibility

### Compatibility Table for: Push Buttons, Push Plates and Infra-red/ Touch-free Sensors

Thomas Dudley's push buttons, push plates and touch-free sensors have been specifically designed to work with our cisterns and in-wall frame systems.

The table below summarises the compatibility of each:

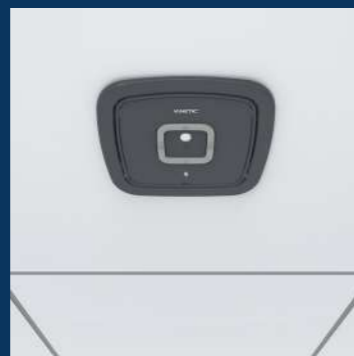
	Concealed Cisterns							
	OSMO F1	OSMO T1	Vantage	Prestige	Miniflo	Phantom (Pneumatic)	Pushflo	eco cistem™
<b>Dualflush Push Buttons</b>								
Geo		✓	✓	✓	✓	✓		
Dio		✓	✓	✓	✓	✓		
Miniflo		✓	✓	✓	✓	✓		
Piazza		✓	✓	✓	✓	✓		
Remora		✓	✓	✓	✓	✓		
Royal Twin Palm		✓	✓	✓	✓	✓		
OSMO F1 Actuator Right Hand	✓							
OSMO F1 Actuator Left Hand	✓							
<b>Single Flush Push Buttons</b>								
Piazza		✓	✓	✓	✓	✓		
CP Round		✓	✓	✓	✓	✓		✓
Royal		✓	✓	✓	✓	✓		✓
Palm Push Royal		✓	✓	✓	✓	✓		✓
Remora		✓	✓	✓	✓	✓		
<b>Plates</b>								
Drift		✓	✓	✓	✓	✓		
Reef		✓	✓	✓	✓	✓		
Coral		✓	✓	✓	✓	✓		
Oyster		✓	✓	✓	✓	✓		
Pebble		✓	✓	✓	✓	✓		
Pearl		✓	✓	✓	✓	✓		
Pearl Palm		✓	✓	✓	✓	✓		
<b>Infra-Red</b>								
Wave S1		✓	✓	✓	✓	✓		
Wave S2		✓	✓	✓	✓	✓		
Wave S3		✓	✓	✓	✓	✓		
<b>Vandal-Resistant</b>								
Metal Royal		✓	✓	✓	✓	✓		✓
Flat Metal							✓	
Metal Pearl Plate		✓	✓	✓	✓	✓		
Remora Plate		✓	✓	✓	✓	✓		
<b>Touch-Free</b>								
Electroflo upgrade kit		✓	✓	✓	✓	✓		✓

Dualflush Push Buttons	Wall-Hung Sanitaryware Frames	
	Illusion A	Illusion v
<b>Dualflush Push Buttons</b>		
Geo	✓	✓
Dio	✓	✓
Miniflo	✓	✓
Piazza	✓	✓
Remora	✓	✓
Royal Twin Palm	✓	✓
OSMO F1 Actuator Right Hand		
OSMO F1 Actuator Left Hand		
<b>Single Flush Push Buttons</b>		
Piazza	✓	✓
CP Round	✓	✓
Royal	✓	✓
Palm Push Royal	✓	✓
Remora	✓	✓
<b>Plates</b>		
Drift	✓	✓
Reef	✓	✓
Coral	✓	✓
Oyster	✓	✓
Pebble	✓	✓
Pearl	✓	✓
Pearl Palm	✓	✓
<b>Infra-Red</b>		
Wave S1	✓	✓
Wave S2	✓	✓
Wave S3 *	✓	✓
<b>Vandal-Resistant</b>		
Metal Royal	✓	✓
Flat Metal		
Metal Pearl Plate	✓	✓
Remora Plate	✓	✓
<b>Touch-Free</b>		
Electroflo for concealed cisterns	✓	✓

Dualflush and single flush buttons must be installed in conjunction with dualflush and single flush cisterns respectively.

# Urinal Flushing

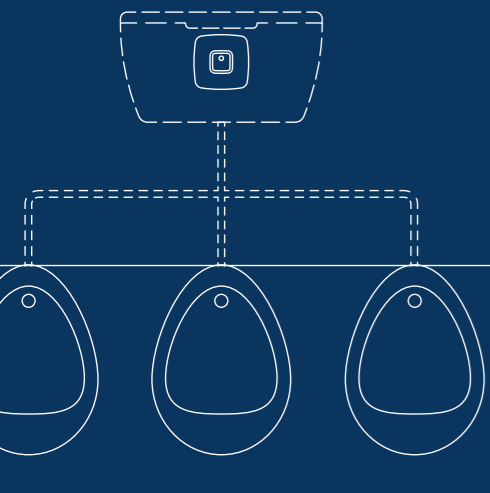
## SIMPLY INTELLIGENT



Intelligent, versatile & multi-functional, urinal flushing made simple.

Thomas Dudley's product range considerably simplifies the set-up, installation and, in particular, offers exceptional reliability to urinal systems.

Thomas Dudley's urinal flushing products are designed to save time, guarantee accurate water-savings, increase hygiene and be installed with confidence in any commercial washroom installation.



## SIMPLY INTELLIGENT

Intelligent urinal flushing made simple.

Designed to reduce water consumption and ensure the highest levels of hygiene are met in commercial washroom installations.



## 06 Urinal Flushing

### Urinal Flush Controls

#### Kinetic® Intelligent Urinal Flush Control

##### TOUCH FREE URINAL CONTROLS // WASHROOM FILL & FLUSH

The Kinetic has been designed to optimise the water management of automatic cisterns and multiple station urinal installations.

Attractively styled and multi-functional, the Kinetic is an "all-in-one" electronic control, designed to save time and guarantee water-savings in commercial washroom installations.

##### Water Saving

- Regulates flushing based on actual wash-room usage to save up to 80% of water when compared to traditional systems

##### Features

- Installation flexibility; pipe, wall, or ceiling mounted
- Supplied with aesthetically pleasing flush mounting kit for neat ceiling installation
- Power options; mains, 4xAA battery, or mains 240V AC direct
- Control box can be installed remotely from solenoid (supplied with 1m cable as standard)
- Quick and easy filter service as the valve set does not need to be dismantled

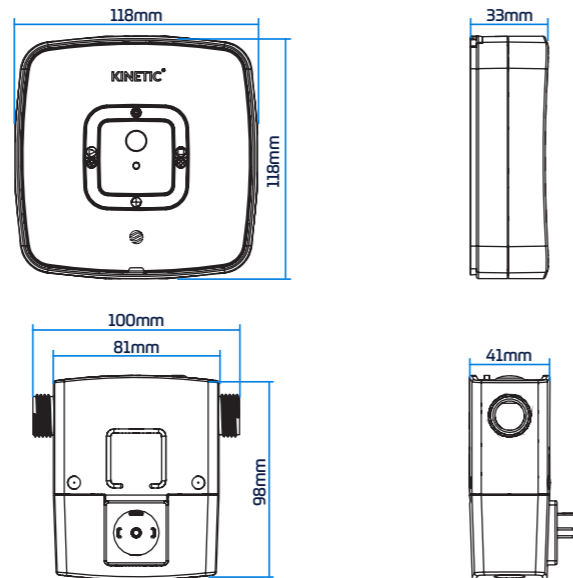
- Passive IR sensor detects user movement to provide an efficient flushing system
- Fast fill reduces scale build up
- Suitable for water pressures ranging from 0.1 bar to 10 bar
- 6 litre per minute flow regulation
- Quick and simple set up via user-friendly buttons and intuitive software without having to continually refill and empty the automatic cistern
- 12 hour hygiene and 24 hour economy flushing modes can also be quickly configured to customer requirements
- Tamper proof design and chrome fittings are conveniently included
- WRAS approved
- Control box dimensions: 118mm(h) x 118mm(w) x 33mm(d)
- Solenoid box dimensions: 98mm(h) x 100mm(w) x 50mm(d)

##### Options

- White/Grey finish
- Mains
- Battery

Finish	
White/White	327877
Grey/Grey	327878

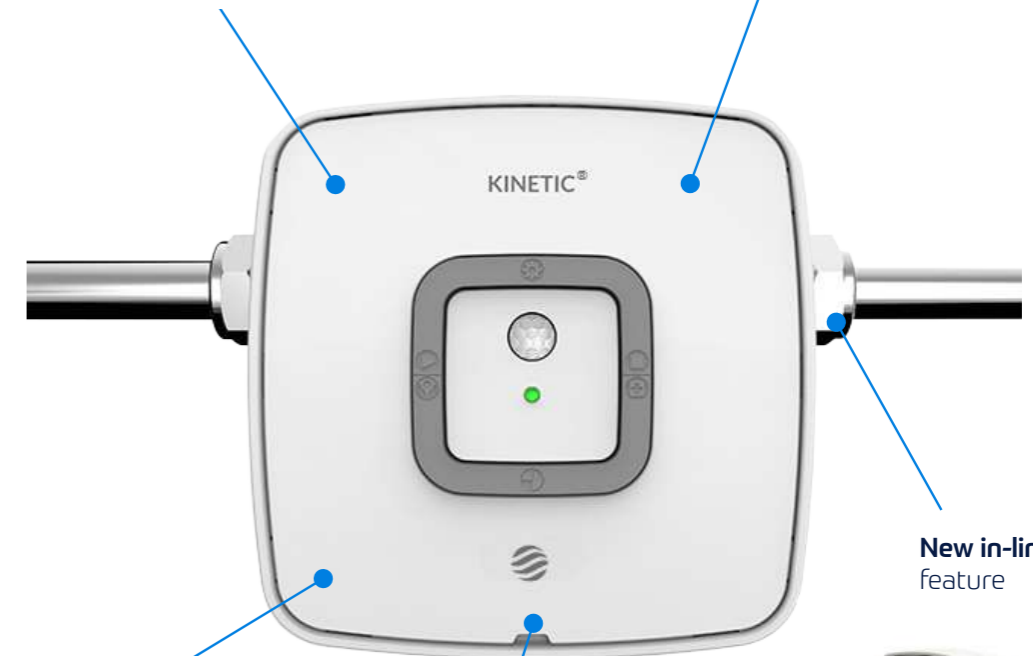
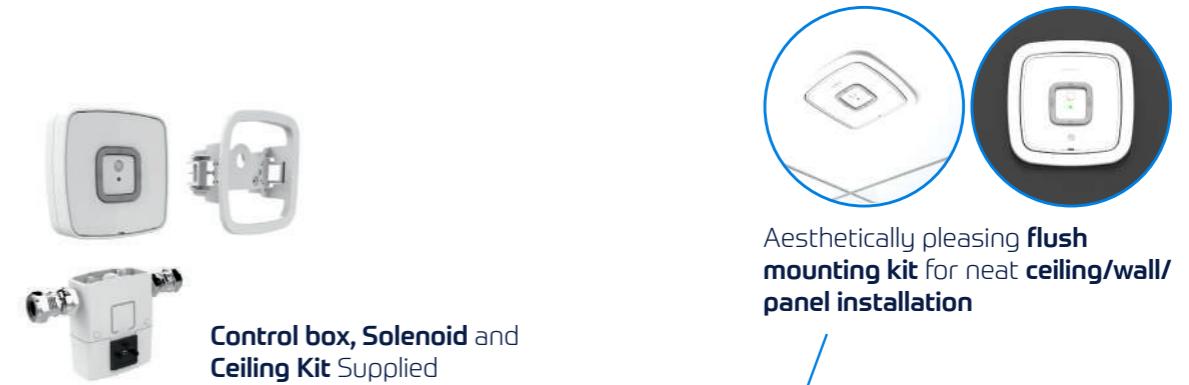
Kinetic Package Options	
Includes: Kinetic in White/White, 9L Dudley 'D' Auto Cistern, 2pc Sparge Pipe Set & Top Inlet Spreaders	330273
Includes: Kinetic in White/White, 13.5L Dudley 'D' Auto Cistern, 3pc Sparge Pipe Set & Top Inlet Spreaders	330274



Technical Data	
Finish	White, Grey
Operating Voltage	6V DC (Integrated transformer)
Mains Supply	230V AC 50Hz
Battery Supply	4 x 1.5V AA
Sensor Range	5m, 80° Cone
Solenoid Valve Type	6V Latching
Solenoid Valve Connection	15mm Compression
Operating Pressure	Min. 0.1 Bar - Max. 10 Bar



#### Kinetic® Intelligent Urinal Flushing Control



Visit our website



## 06 Urinal Flushing

### Urinal Flush Controls

#### Electroflo® Touch-free Urinal Sensor

##### TOUCH FREE URINAL CONTROLS // WASHROOM FILL & FLUSH

The Electroflo urinal sensor provides touch free flushing for direct urinal systems; sitting neatly above the urinal bowl and can be used with confidence in most commercial applications.

This high quality sensor automatically flushes each individual urinal after use, ensuring the highest level of hygiene from the minimum volume of water.

##### Water Saving

- Delivering as little as 1 litre of water per flush to provide significant savings compared with traditional petcocks
- Supports BREEAM

##### Features

- Sensor bezel available in polished chrome, stainless steel effect and matt black finishes

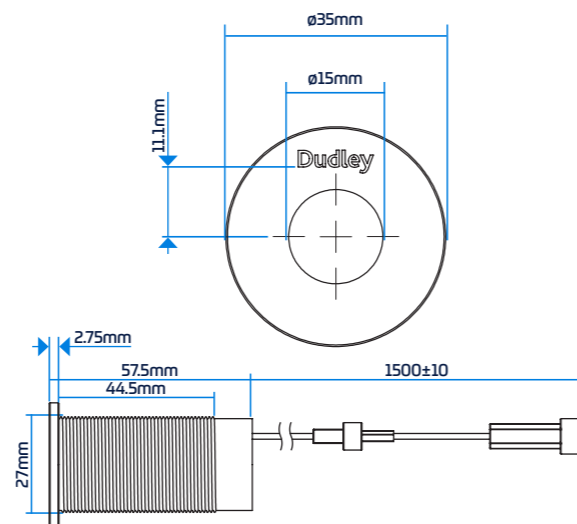
Product	Code
Electroflo™ Touch-free Urinal Sensor Chrome - Mains	323687
Electroflo™ Touch-free Urinal Sensor Chrome - Battery	323686
Electroflo™ Touch-free Urinal Sensor Stainless Steel - Mains	327979
Electroflo™ Touch-free Urinal Sensor Matt Black - Mains	333959
Battery Box for Electroflo™ Urinal	323694



- Flow time is programmable from 1 – 20 seconds, using optional remote control
- Adjustable flow rate and flush time
- Suitable for pressures of 0.3-8.0 bar
- Sensor is supplied with solenoid valve
- Can be supplied with Dudley DC Pipe Interrupter (air gap) to prevent bacteria contaminating the mains water supply and to achieve fluid category 5 back flow prevention
- Can be set to automatic 24 hour hygiene flush
- Reprogrammable with separately supplied remote control

##### Options

- Chrome, Stainless Steel & Matt Black
- 35mm dia sensor surround or choice of sensor plates
- 9V externally mounted battery or mains powered



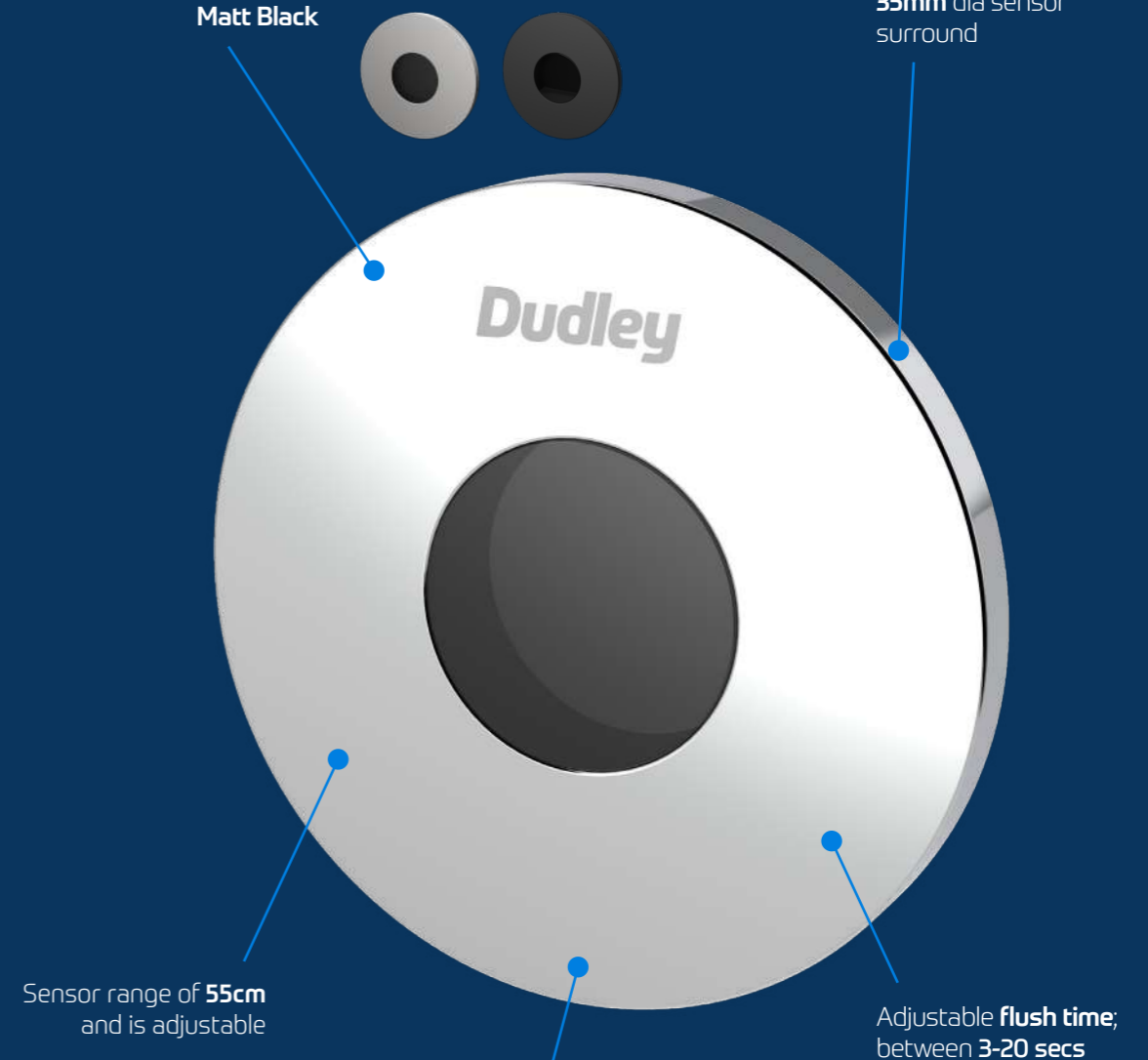
Technical Data	
Finish	Chrome, Stainless Steel or Black
Operating Voltage	9V DC
Mains Supply	230V AC 50Hz
Battery Supply	9V
Sensor Range	300 - 800mm Adjustable
Solenoid Valve Type	Latching
Solenoid Valve Connection	15mm compression
Operating Pressure	0.5-8.0 Bar
Preset Flush Time	6 Seconds
RAL Colours*	Matt Black – RAL 9017

\*Indicative only

#### Electroflo® Touch-free Urinal Sensor

Available in **Chrome, Stainless steel & Matt Black**

35mm dia sensor surround



Solenoid valve comes with **15mm pushfit connector & ½" BSP connectors** respectively & can be easily installed in to partitioning materials & tiles

Visit our website



## 06 Urinal Flushing Auto Cisterns

### "D" Auto™ Automatic Urinal Flushing Cistern

TOUCH FREE URINAL CISTERN // WASHROOM FILL & FLUSH

Automatic urinal flushing cistern for commercial applications.

#### Features

- 498mm [W] x 295mm [H] x 186mm [D]
- Cistern body in high-impact polystyrene
- Outlet centre 93mm from wall
- Supplied with Dudley Auto Syphon and petcock
- For compliance to water regulations, additional flow control measures are required
- Use in combination with Dudley Kinetic® for full regulatory compliance.

#### Options

- 4.5L, 9L & 13.5L
- High Gloss Black Finish



Visit our website



Product	Code
"D" Auto™ - Automatic Urinal Flushing Cistern - White [4.5L]	317960
"D" Auto™ - Automatic Urinal Flushing Cistern - White [9L]	314825
"D" Auto™ - Automatic Urinal Flushing Cistern - White [13.5L]	317622

Technical Data	
Material	High Impact Polystyrene (PS)
Inlet	Petcock
Outlet	Dudley Auto Syphon
Flush Volume	4.5 Litre, 9 Litre, 13.5 Litre

### Tri-Shell® Auto Heavy-duty Automatic Urinal Flushing Cistern

TOUCH FREE URINAL CISTERN // WASHROOM FILL & FLUSH

For commercial applications, especially where risk of vandalism or misuse is present.

#### Features

- 516mm [W] x 287mm [H] x 188mm [D]
- Cistern body manufactured using a unique sandwich foam moulding with a cellular core making it exceptionally strong
- Ideal for areas which may be subject to vandalism
- Outlet centre 90mm from wall
- Supplied with Dudley Auto Syphon and petcock
- For compliance to water regulations, additional flow control measures are required
- Use in combination with Dudley Kinetic® for full regulatory compliance

#### Options

- 4.5L, 9L & 13.5L
- High Gloss Black Finish



Visit our website



Product	Code
Tri-shell® Auto - Heavy-duty Automatic Urinal Flushing Cistern - White [4.5L]	315633
Tri-shell® Auto - Heavy-duty Automatic Urinal Flushing Cistern - White [9L]	315651
Tri-shell® Auto - Heavy-duty Automatic Urinal Flushing Cistern - White [13.5L]	314767

Technical Data	
Material	High Impact Polystyrene (PS)
Inlet	Petcock
Outlet	Dudley Auto Syphon
Flush Volume	4.5 Litre, 9 Litre, 13.5 Litre

### Acclaim® Auto Automatic Urinal Flushing Cistern

TOUCH FREE URINAL CISTERN // WASHROOM FILL & FLUSH

Automatic urinal flushing cistern for commercial applications.

#### Features

- 460mm [W] x 343mm [H] x 155mm [D]
- Cistern body in high-impact polystyrene
- Outlet centre 74mm from wall
- Supplied with Dudley Auto Syphon and petcock
- For compliance to water regulations, additional flow control measures are required
- Use in combination with Dudley Kinetic® for full regulatory compliance.

#### Options

- 4.5L & 9L



Visit our website



Product	Code
Acclaim® - Automatic Urinal Flushing Cistern [4.5L]	314934
Acclaim® - Automatic Urinal Flushing Cistern [9L]	314002

Technical Data	
Material	High Impact Polystyrene (PS)
Inlet	Petcock
Outlet	Dudley Auto Syphon
Flush Volume	4.5 Litre, 9 Litre

### Mirage™ Concealed Auto Automatic Urinal Flushing Cistern

TOUCH FREE URINAL CISTERN // WASHROOM FILL & FLUSH

Concealed automatic urinal flushing cistern for commercial applications.

Perfect for use in modern concealed washrooms.

#### Features

- 505mm [W] x 285mm [H] x 146mm [D]
- Cistern body in high-impact polystyrene
- Outlet centre 73mm from wall
- Supplied with Dudley Auto Syphon and petcock
- For compliance to water regulations, additional flow control measures are required
- Use in combination with Dudley Kinetic® for full regulatory compliance

#### Options

- 4.5L, 9L & 13.5L



Visit our website



Product	Code
Mirage™ Concealed Automatic Urinal Flushing Cistern [4.5L]	314128
Mirage™ Concealed Automatic Urinal Flushing Cistern [9L]	318281
Mirage™ Concealed Automatic Urinal Flushing Cistern [13.5L]	319755

Technical Data	
Material	High Impact Polystyrene (PS)
Inlet	Petcock
Outlet	Dudley Auto Syphon
Flush Volume	4.5 Litre, 9 Litre, 13.5 Litre

## 06 Urinal Flushing Accessories



### Auto Syphons

#### WRAS APPROVED AUTOMATIC SYPHON

When it comes to controlling the flushing of urinals, the Auto Syphon is still the most inexpensive, trouble-free and simple to install product on the market.

The Auto Syphon requires NO electricity supply and with no moving parts it requires virtually no maintenance.

Designed to cater for the varied flushing requirements of large and small urinal W.C installations of all types conform to BS 1876 and are available in two outlet sizes.

All Auto Syphons are supplied complete with two rubber washers & back nut. Each Auto Syphon is fully tested before leaving the factory.

- Easily controlled to minimise water usage
- Requires no electricity supply
- Requires virtually no maintenance
- Simple to install

Size/Flushing Height	Flush Volume	Code
140mm (5½") – 1" BSPT	4.5L [1 Gallon]	364932
140mm (5½") – 1½" BSPT	4.5L [1 Gallon]	325939
159mm (6¼") – 1" BSPT	9L [2 Gallon]	364944
159mm (6¼") – 1½" BSPT	9L [2 Gallon]	364947
191mm (7½") – 1" BSPT	13.5L [3 Gallon]	364948
191mm (7½") – 1½" BSPT	13.5L [3 Gallon]	364953
210mm (8¼") – 1" BSPT	18L [4 Gallon]	364955
210mm (8¼") – 1½" BSPT	18L [4 Gallon]	364958
235mm (9¼") – 1" BSPT	22.5L [5 Gallon]	364959
235mm (9¼") – 1½" BSPT	22.5L [5 Gallon]	364963

### Sparge Pipe Sets

#### STAINLESS STEEL SPARGE PIPE SETS

Manufactured from stainless steel, Thomas Dudley's sparge pipe sets are a great solution for getting the water supply from the cistern to your urinal(s).

Stainless Steel Sparge Pipe Sets include brackets and fixings.

- Stainless Steel
- Includes Brackets & Fixings
- 23mm Bowl Offset
- 90mm Cistern Offset
- Top pipework is 22mm, reducing to 15mm in bowls
- Multiple Bowl set options

Product	Code
1 Bowl Set	330621
2 Bowl Set	330622
3 Bowl Set	330623
4 Bowl Set	330624

### Petcock

#### ADJUSTABLE FLOW CONTROL PETCOCK. FOR USE WITH AUTOMATIC SYPHONS

Adjustable Flow Control Petcock, suitable for use with Automatic Syphons. Once the auto syphon has flushed and emptied the water from the cistern, this product will allow the cistern to slowly fill back up.

- ½" BSP connection
- Fitted to inlet pipe for adjustable flow control
- Can be easily adjusted by removing end cap, & twisting the valve inside to control fill rate to desired flow
- For compliance to Water Regulations, additional flow control measures are required



Item	Code
Petcock (½" BSPT)	364979

### Urinal Spreader

#### URINAL SPREADER

The urinal Spreaders are manufactured from solid brass with a chrome plated finish.

These are a great way of getting water to the urinal bowls

- Top inlet is a push-fit mechanism; easy install
- Mostly used as a replacement in exposed urinal cistern systems
- Back Inlet Tail is made from solid brass and head has a smooth chrome finish



Inlet	Code
Back Inlet	364968
Top Inlet	364969



### DC Pipe Interrupter

#### DC PIPE INTERRUPTER FOR USE WITH URINALS AND DIRECT FLUSH URINAL SENSORS

DC Pipe Interrupters provide Fluid Category 5 back siphonage protection (vacuum on the supply).

- Water regulations specify the use of a fluid category 5 backflow protection device within all direct flush urinal systems
- Factory fitted with an interchangeable 3L p/m flow regulator
- Configurable; supplied with 4L p/m and 5L p/m
- Regulators for use in higher flow rate installations
- 15mm Inlet / 22mm Outlet
- Prevents bacteria contaminating mains water supply
- For use with urinals & direct flush urinal sensors

Item	Code
DC Pipe Interrupter	327995



### Urinal Brackets

#### NARROW URINAL BRACKETS (PAIR)

- Narrow Urinal Brackets
- Supplied in Pairs

Item	Code
Urinal Brackets	367401



### Stainless Steel Urinal Waste

#### STAINLESS STEEL REMOVABLE DOME COVER

Our Urinal Wastes are the perfect addition to your bathroom needs. With a stylish chrome plated threaded brass body and stainless steel domed top, this waste will give a stylish look to your urinals.

- Brass Body
- 3¾" Tail Length
- 2½" Flange Size

Size	Code
1¼"	368205
1½"	368208



### Plastic Urinal Waste

#### WHITE PLASTIC FIXED DOME TOP

Our Urinal Wastes are the perfect addition to your bathroom needs. With a simple plastic threaded body and plastic domed top, this waste will give a traditional look to your urinals.

- Plastic Body
- Short and Long Tail Length Available
- 2½" Flange Size

Size	Code
1¼"	368206
1½" Short Tail	368210



### Basin/Urinal Bracket

#### HEAVY DUTY BASIN/URINAL BRACKET

- Suitable for Basin and Urinal
- Supplied in Pairs

Item	Code
Basin/Urinal Bracket	367398



# Resan Sanitaryware

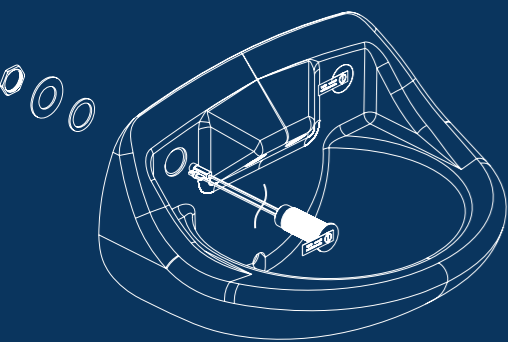
## POWERFULLY STYLED



Our proactive, customer-focused approach enables us to overcome any given installation challenge with a complete end-to-end service.

Resan is naturally suitable in a wide range of commercial applications. It's highly robust, long lasting durable vandal-resistant

sanitaryware places it firmly within high use public washrooms and any bathroom that is likely to see potential vandalism. At the same time, its normalised appearance is conducive towards mental health and general healthcare applications.



## POWERFULLY STYLED

The vandal-resistant sanitaryware that's tougher than stainless steel but styled like ceramic and manufactured in the UK by Thomas Dudley.

Thomas Dudley has successfully worked in partnership with specifiers, architects, contractors & merchants for many years.

## 07 Resan Sanitaryware Pans

### Resan® Pan Standard Height

#### RESAN SANITARYWARE // WASHROOM FILL & FLUSH

Damage Resistant Toilet Pan Standard Height with Polished Resin for Gloss Effect.

Utilising modern styling, our WC pan helps normalising the environment, making use of a fully rimless hygienic flush design, with no ledges or steps within the internal bowl shape, reducing the chances of staining sanitaryware as water is prevented from staying on surfaces where lime scale can build up.

Contrasting colour integral seats are available with a range of Resan WC Pans. These are particularly suitable for some public washrooms that have a requirement to conform to Approved Document M as well as environments such as Care Homes and Disabled Washroom facilities.

All coloured seats are cast of the same material as our WC pans and the colour is throughout the product, therefore if it is scratched, it can simply be refinished on site with minimum fuss or time.

Resan Pan			
Fitting	Finish	Seat	Code
Bolt To Floor	Polished Resin for Gloss Effect	Plain Seat Open Rim	334084
Bolt To Floor	Polished Resin for Gloss Effect	Blue Seat Open Rim	334085
Bolt To Floor	Polished Resin for Gloss Effect	Grey Seat Open Rim	375048
Bolt To Wall	Polished Resin for Gloss Effect	Plain Seat Open Rim	334077
Bolt To Wall	Polished Resin for Gloss Effect	Blue Seat Open Rim	334086
Bolt To Wall	Polished Resin for Gloss Effect	Grey Seat Open Rim	375047

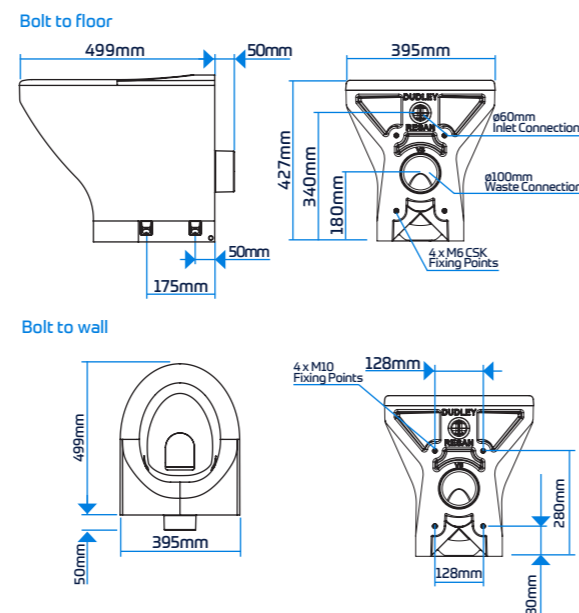


#### Features

- Standard white WC pans are cast in a single piece, reducing join joints which are difficult to clean and enhancing strength
- The waste spigot height is 180mm
- Contrasting colour integral seats are available with a range of Resan WC Pans
- Non-Flammable – BS476 Pt 6 & 7 Class '0' and Class '1'
- ISO EN 19712-3-2007 Rated 5 for durability, stain resistance and cigarette burns
- BS EN 997 6/4 Litre and 5/3 Flush Approval
- BREEAM rated
- CE Marked
- UK Ministry Of Justice Safer Cell Approved [Bolt to wall only]

#### Options

- Bolt to floor
- Bolt to wall
- Plain seat open rim
- Blue seat open rim
- Grey seat open rim

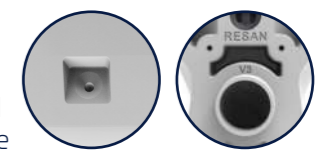


Technical Data	
Material	Polymer Resin
Available finishes	Matt, Gloss
RAL options	Blue - RAL 5003, Grey - RAL 7011
Product Weight	46 kg
Fixing Orientation	Floor Fixed / Wall Fixed
Fixing Size	M6 CSK Floor fixing points / M10
Standard Conformity	BS 476 Pt.6 Fire propagation & surface spread of flame. ISO EN 19712-3-2007 Rated 5 for durability, stain resistance, cigarette burns etc.

### Resan® Pan - Standard Height

Standard white WC pans are cast in a single piece, **reducing join joints** which are difficult to clean and **enhancing strength**

**Bolt to floor and bolt to wall options available**



The **waste spigot height is 180mm**

The **Damage resistant & anti-ligature**



The contrasting colour seat (when specified) is integral to the WC pan. It is **permanently bonded, non-moveable or removable** and is available in both **blue and grey** colours, with other bespoke colours available during project consultation

Visit our website



## 07 Resan Sanitaryware

### WC Pans & Toilets

#### Resan® Pan For Less Aabled

##### RESAN SANITARYWARE // WASHROOM FILL & FLUSH

Damage Resistant Toilet Pan for Less Aabled with Polished Resin for Gloss Effect.

Utilising modern styling, our WC pan helps normalising the environment, making use of a fully rimless hygienic flush design, with no ledges or steps within the internal bowl shape, reducing the chances of staining sanitaryware as water is prevented from staying on surfaces where lime scale can build up.

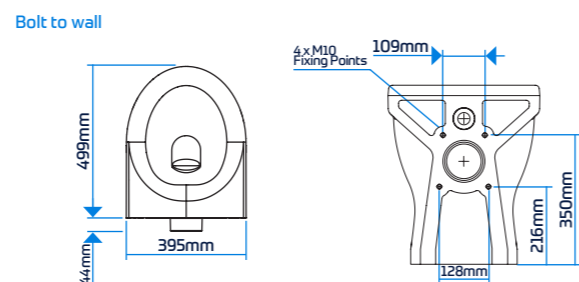
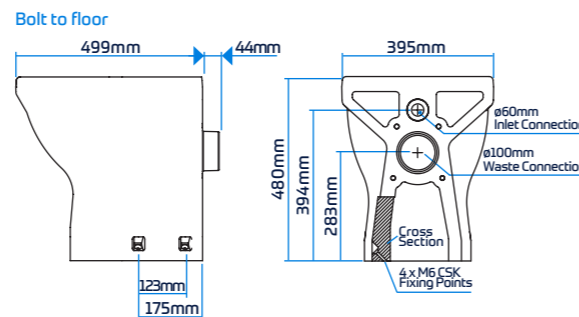
This raised height WC is considered as 'comfort height' being 480mm high rather than the standard 415mm. An extension box is also provided which extends the projection of the pan out from the wall to 750mm from the standard 500mm. This ensures full compliance towards 'Doc M' (Approved Document M). Both these features are particularly useful in care home applications but also in less aabled facilities and washrooms.

Resan Pan			
Fitting	Finish	Seat	Code
Bolt to Floor	Polished Resin for Gloss Effect	Plain	372561
Bolt to Floor	Polished Resin for Gloss Effect	Plain Blue	372562
Bolt to Floor	Polished Resin for Gloss Effect	Plain Grey	372563
Bolt to Wall	Polished Resin for Gloss Effect	Plain	372558
Bolt to Wall	Polished Resin for Gloss Effect	Plain Blue	372559
Bolt to Wall	Polished Resin for Gloss Effect	Plain Grey	372560
Extension Box Only			372564



#### Features

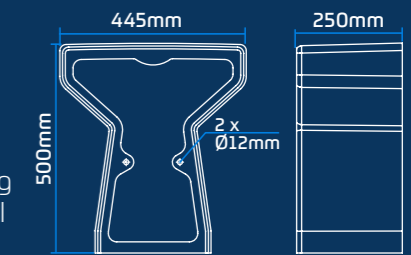
- Standard white WC pans are cast in a single piece, reducing join joints which are difficult to clean and enhancing strength
- The waste spigot height is 283mm
- Contrasting colour integral seats are available with a range of Resan WC Pans
- Extension Box not fitted as standard, an extension box can be provided which extends the projection of the pan out from the wall to 750mm from the standard 500mm
- These are particularly suitable for public washrooms which must conform to Approved Document M as well as environments such as Care Homes and Disabled Washroom facilities
- This raised height WC is considered as 'comfort height' being 480mm high rather than the standard 415mm
- Non-Flammable – BS476 Pt 6 & 7 Class '0' and Class '1'
- ISO EN 19712-3-2007 Rated 5 for durability, stain resistance and cigarette burns
- BS EN 997 6/4 Litre and 5/3 Flush Approval
- BREEAM rated
- CE Marked
- UK Ministry Of Justice Safer Cell Approved [Bolt to wall only]



#### Technical Data

Material	Polymer Resin
Available finishes	Matt, Gloss
RAL options	Blue - RAL 5003, Grey - RAL 7011
Product Weight	52 kg
Fixing Orientation	Floor Fixed / Wall Fixed
Fixing Size	M6 CSK Floor fixing points / M10
Standard Conformity	BS 476 Pt.6 Fire propagation & surface spread of flame. ISO EN 19712-3-2007 Rated 5 for durability, stain resistance, cigarette burns etc.

#### Resan® Pan for Less Aabled



Extension box can be provided, extending the projection of the pan out from the wall to 750mm from the standard 500mm

Damage resistant & anti-ligature



This raised height WC is considered as 'comfort height' being 480mm high rather than the standard 415mm

The waste spigot height is 283mm

Contrasting colour integral seats are available. These are particularly suitable for public washrooms which must conform to **Approved Document M** as well as environments such as **Care Homes** and **Disabled Washroom** facilities.



Visit our website



## 07 Resan Sanitaryware

### WC Pans & Toilets

#### Resan® Pan Standard Height with Seat Fixing Holes

##### RESAN SANITARYWARE // WASHROOM FILL & FLUSH

Damage Resistant Toilet Pan Standard Height with Polished Resin for Gloss Effect - with Seat Fixing Holes.

Utilising modern styling, our WC pan helps normalising the environment, making use of a fully rimless hygienic flush design, with no ledges or steps within the internal bowl shape, reducing the chances of staining sanitaryware as water is prevented from staying on surfaces where lime scale can build up.

A heavy duty ABS plastic seat can be fitted with this version of our WC Pan (Please note, seat is NOT included as standard with this version).

This is particularly useful where specifications ask for a separate seat and lid, rather than our integral seat WC.

This would typically be used in medium duty

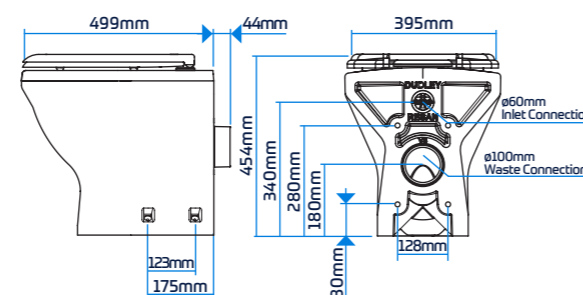
Resan Pan			
Fitting	Finish	Seat	Code
Bolt to Wall	Polished Resin for Gloss Effect	Seat Fixing Holes	334080
Bolt to Floor	Polished Resin for Gloss Effect	Seat Fixing Holes	334082
Seat Option			
Item	Code		
Emerald Standard Close Toilet Seat & Cover with Metal Top Fix Hinge	375059		



applications or where users must be able to use the WC as a seat; typically seen in secure prison environments.

##### Features

- The waste spigot height is 180mm
- Standard white WC pans are cast in a single piece, reducing join joints which are difficult to clean and enhancing strength
- Seat is NOT included with this model
- Contrasting colour integral seats are available with a range of Resan WC Pans.
- Non-Flammable – BS476 Pt 6 & 7 Class '0' and Class '1'
- ISO EN 19712-3-2007 Rated 5 for durability, stain resistance and cigarette burns
- BS EN 997 6/4 Litre and 5/3 Flush Approval
- BREEAM rated
- CE Marked



Technical Data	
Material	Polymer Resin
Available finishes	Matt, Gloss
Product Weight	52 kg
Fixing Orientation	Floor Fixed / Wall Fixed
Fixing Size	M6 CSK Floor fixing points / M10
Standard Conformity	BS 476 Pt.6 Fire propagation & surface spread of flame. ISO EN 19712-3-2007 Rated 5 for durability, stain resistance, cigarette burns etc.

#### Resan® Pan - Standard Height with Seat Fixing Holes

A heavy duty ABS plastic seat can be fitted with this version of our WC Pan (Please note, seat is NOT included as standard with this version)

If the seat is damaged, it is easily replaced and the fixing points to the WC are permanently bonded in



The Damage resistant & anti-ligature

The waste spigot height is 180mm

Standard white WC pans are cast in a single piece, reducing join joints which are difficult to clean and enhancing strength

Visit our website



## 07 Resan Sanitaryware

### WC Pans & Toilets

## Resan® Pan Left | Right Hand WC Corner Pan - Standard Height

#### RESAN SANITARYWARE // WASHROOM FILL & FLUSH

Anti-Ligature and Damage Resistant Left/Right Hand Corner Toilet Pan Standard Height.

Suitable for installation within custodial, healthcare and commercial environments where space is at a premium. The pans are available in both left and right hand orientation, standard height with polished resin for gloss effect.

#### Features

- Anti-Ligature
- Damage resistant
- Designed for seatless use
- Prevents hidden corners
- Concealed through-wall services and fixings

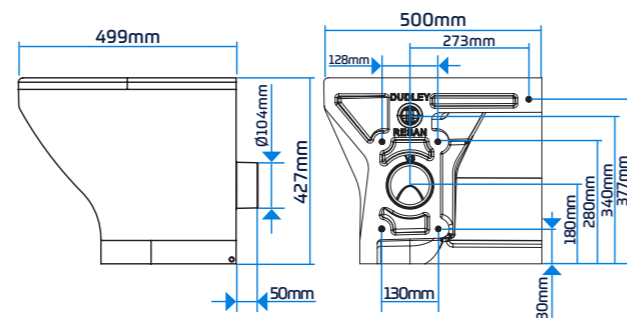
- Standard white WC pans are cast in a single piece, reducing join joints which are difficult to clean and enhancing strength
- The waste spigot height is 180mm (BS EN 33)
- Easily renewable surface - no gel coat
- Other contrasting colour integral seats are available with a range of Resan WC Pans
- Non-Flammable – BS476 Pt 6 & 7 Class '0' and Class '1'
- ISO EN 19712-3-2007 Rated 5 for durability, stain resistance and cigarette burns
- BS EN 997 6/4 Litre and 5/3 Flush Approval
- BS EN 33:2019 WC pans and WC suites- Connecting Dimensions
- Supports requirements of WAT 01 BREEAM
- UKCA/CE Marked
- UK Ministry of Justice Safer Cell Approval Pending

#### Resan Left Hand WC Corner Pan - Standard Height

Fitting	Finish	Seat	Code
Bolt To Wall	Polished Resin for Gloss Effect	Plain Seat Open Rim	374586
Bolt To Wall	Polished Resin for Gloss Effect	Blue Seat Open Rim	375034
Bolt To Wall	Polished Resin for Gloss Effect	Grey Seat Open Rim	375044

#### Resan Right Hand WC Corner Pan - Standard Height

Bolt To Wall	Polished Resin for Gloss Effect	Plain Seat Open Rim	375035
Bolt To Wall	Polished Resin for Gloss Effect	Blue Seat Open Rim	375045
Bolt To Wall	Polished Resin for Gloss Effect	Grey Seat Open Rim	375046



#### Technical Data

Material	Polymer Resin
Available finishes	Polished Resin for Gloss Effect
RAL options	Blue - RAL 5003, Grey - RAL 7011
Product Weight	54 kg
Fixing Orientation	Wall Fixed
Fixing Size	M10 x 300mm Threaded Bar
Standard Conformity	BS 476 Pt.6 Fire propagation & surface spread of flame. ISO EN 19712-3-2007 Rated 5 for durability, stain resistance, cigarette burns etc.

## Resan® Pan - Left | Right Hand WC Corner Pan - Standard Height

Available in both **Left Hand & Right Hand** orientation

Other contrasting **colour** integral seats available



Right Hand orientation



Left-Hand orientation shown

The **Damage resistant & anti-ligature**

The **waste spigot height** is 180mm [BS EN 33]

Prevents **hidden corners**

Visit our website



## 07 Resan Sanitaryware

### Sinks & Basins

# Resan® Anti-Ligature Basin with Nose and Tap Outlet Options

#### RESAN SANITARYWARE // WASHROOM FILL & FLUSH

Anti Ligature Basin with Nose and Tap Outlet Options

Our Anti Ligature Basins Nose are available in various formats. This basin is what we define as a 'Nose and Tap Outlets.' It has an anti-ligature concealed tap arrangement in one single piece cast which provides the highest level of anti-ligature design available; we most frequently deploy this version of the basin in healthcare and mental health environments.

This basin is anti-ligature in design reducing the possibilities of self-harm, anti-vandal highly robust solid surface basin with UK Ministry of Justice Safer Cell Approval. Designed for use in high security and healthcare environments with concealed services and fixings.

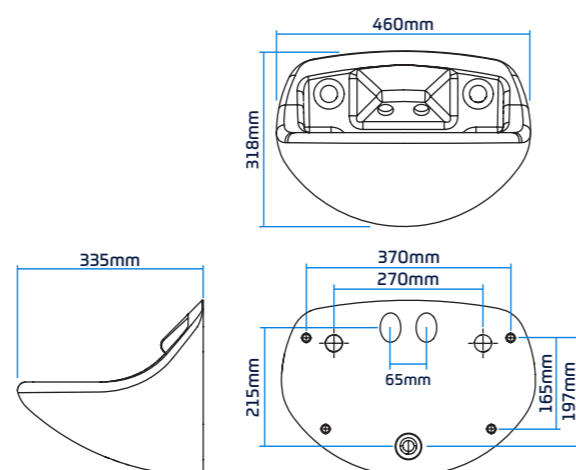
All our solid surface sanitaryware uses a unique blend of polyester resin and aluminium tri-hydrate that creates an incredibly reliable anti-vandal solution while also enhancing a durable long-lasting finish that does not use a gel coat layer, so the surface can be easily renewed on-site, unlike fibreglass composite

alternatives, stainless steel or vitreous china ceramic sanitary ware.

#### Features

- Highest level of anti-ligature design available; we most frequently deploy this version of the basin in healthcare and mental health environments
- Damage resistant basins, ideal for use in all applications where there may be the potential for vandalism, heavy treatment or misuse
- Water flow can be activated using Infra-red, Piezo or Pneumatic controls – Sold Separately
- Back to wall design allows all pipework to be safely concealed
- Sensors | buttons can be used in through-wall applications up to 300mm thick when using extension piece
- Non-Flammable - BS476 Pt 6 & 7 Class '0' and Class '1'
- ISO EN 19712-3-2007 Rated 5 for durability, stain resistance and cigarette burns
- UK Ministry Of Justice Safer Cell Approved
- BS EN 14688:2015 Sanitary appliances. Wash basins. Functional requirements and test methods'
- UKCA/CE Marked

Product	Code
Resan Anti-Ligature Basin for use with: Nose & x2 Tap Outlet for: Infra-red   Piezo Controls [sold separately]	374417
Resan Anti-Ligature Basin for use with: Nose & x1 Tap Outlet for: Right Hand Infra-red   Piezo Controls [sold separately]	374418
Resan Anti-Ligature Basin for use with: Nose & x1 Tap Outlet for: Left Hand Infra-red   Piezo Controls [sold separately]	374419
Resan Anti-Ligature Basin for use with: Nose & x2 Tap Outlet for: Wash Basin Pneumatic Controls [sold separately]	333883
Resan Anti-Ligature Basin for use with: Nose & x1 Tap Outlet for: Right Hand Wash Basin Pneumatic Controls [sold separately]	370950
Resan Anti-Ligature Basin for use with: Nose & x1 Tap Outlet for: Left Hand Infra-red Control [sold separately]	370950



Technical Data	
Material	Polymer Resin
Available finishes	Polished Resin for Gloss Effect
Product Weight	22 kg
Fixing Orientation	Wall Fixed
Fixing Size	M10 x 300mm Threaded Bar
Standard Conformity	BS 476 Pt.6 Fire propagation & surface spread of flame. ISO EN 19712-3-2007 Rated 5 for durability, stain resistance, cigarette burns etc.



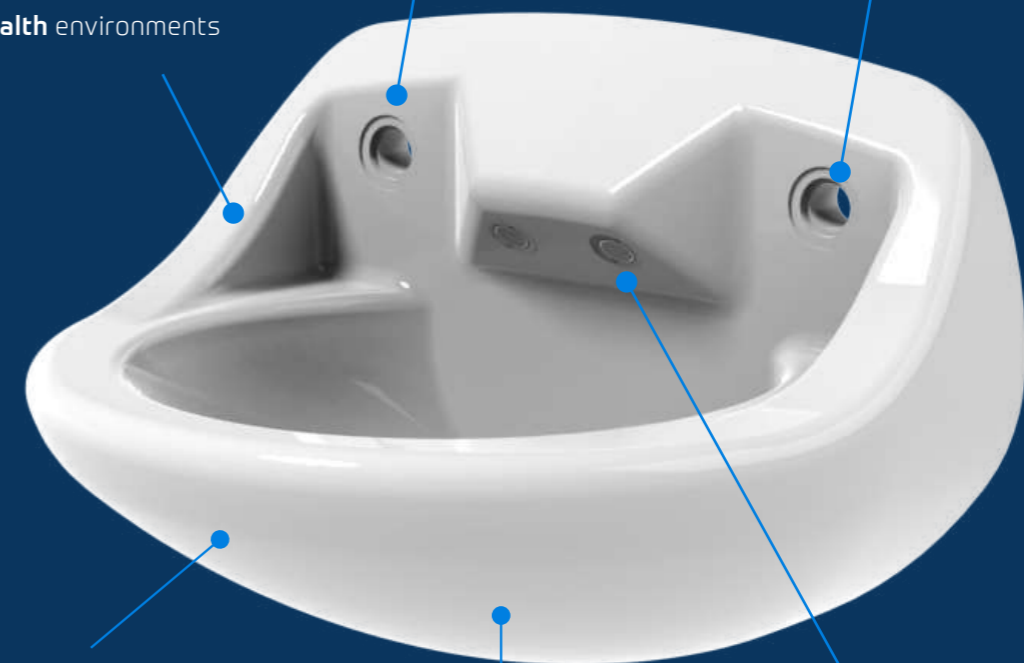
## Resan® Anti-Ligature Basin - 2 Tap Outlet - Pneumatic Controls



Water flow can be activated using **Infra-red, Piezo or Pneumatic** controls – Sold Separately

Highest level of anti-ligature design available; we most frequently deploy this version of the basin in **healthcare and mental health** environments

Controls are **recessed** into the basin to minimise the risk of **ligature**, enhancing safety in sensitive environments



Damage resistant & anti-ligature

Twin and Single tap outlet available

Styled and finished to provide the most **normalised appearance** possible



Visit our website



## 07 Resan Sanitaryware

### Sinks & Basins

#### Resan® Inset Basin

##### RESAN SANITARYWARE // WASHROOM FILL & FLUSH

##### Anti Ligature Inset Basin and Two Tap Outlets.

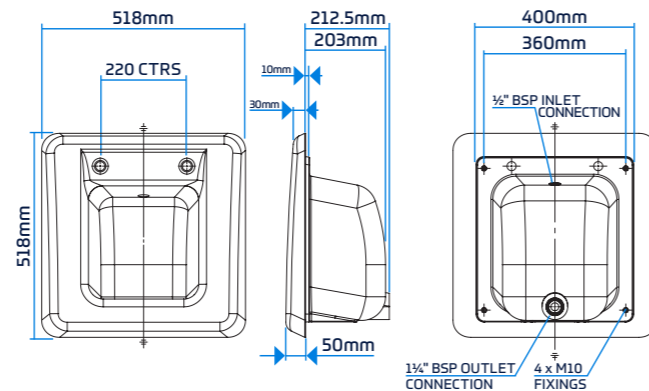
A highly robust inset basin for use in the most demanding anti-ligature applications where space is at premium.

Ideal for use in all applications where there may be the potential for vandalism, heavy treatment or misuse due to the durability of this basin.

##### Features

- Anti-Ligature & damage resistant
- Fits where space is at a premium and where enhance anti-ligature qualities are required
- Durable, easy to maintain and clean
- Modern aesthetics
- Cast in a single piece with no join joints
- Used in combination with our Washroom Control System [374572] which can manage activation run times, purges and lock out management
- Water flow can be activated with touch control or Infra-red controls - sold separately
- Easily renewable surface - no gel coat
- Optional waste grille [375052]
- Non-Flammable – BS476 Pt 6 & 7 Class '0' and Class '1'
- ISO EN 19712-3-2007 Rated 5 for durability, stain resistance and cigarette burns
- BS EN 14688:2015 Sanitary appliances. Wash basins. Functional requirements and test methods
- UKCA/CE Marked

Product	Code
Resan Inset Basin for use with Infra-red   Piezo Controls [sold separately]	374585
Resan Inset Basin for use with Pneumatic Controls [sold separately]	375256
Resan Anti-Ligature Waste Grille	375052



Technical Data	
Material	Polymer Resin
Available Finishes	Polished Resin for Gloss Effect
Available Controls	Infra-red, Piezo or Pneumatic
Product Weight	24 kg
Fixing Orientation	Wall Fixed
Fixing Size	M10 x 300mm Threaded Bar
Standard Conformity	BS 476 Pt.6 Fire propagation & surface spread of flame. ISO EN 19712-3-2007 Rated 5 for durability, stain resistance, cigarette burns etc.



Optional Waste Grille available

#### Resan® Anti-Ligature Inset Basin - 2 Tap Outlet - Infra-Red Controls

Controls are **recessed** into the basin to minimise the risk of **ligature**, enhancing safety in sensitive environments



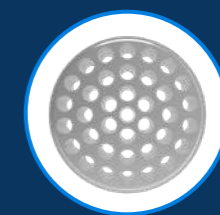
Water flow can be activated using **Infra-red, Piezo or Pneumatic** controls – Sold Separately

Fits where **space** is at a **premium**



Damage resistant & anti-ligature

Optional Waste Grille available



Visit our website



# 07 Resan Sanitaryware

## Sinks & Basins

### Resan® Oval Basin

#### RESAN SANITARYWARE // WASHROOM FILL & FLUSH

Damage Resistant Oval Wall Fixed Wash Basin.

Our oval basin is a wall fixed basin, designed specifically as a straight retrofit to equivalent vitreous china ceramic equivalent basin.

This is particularly advantageous in applications that demand reduced downtime of washrooms, such as prison and other custodial applications, as we have also developed alongside this basin, a cast iron fixing bracket that reduces the likelihood of the bracket cracking during extended product abuse.

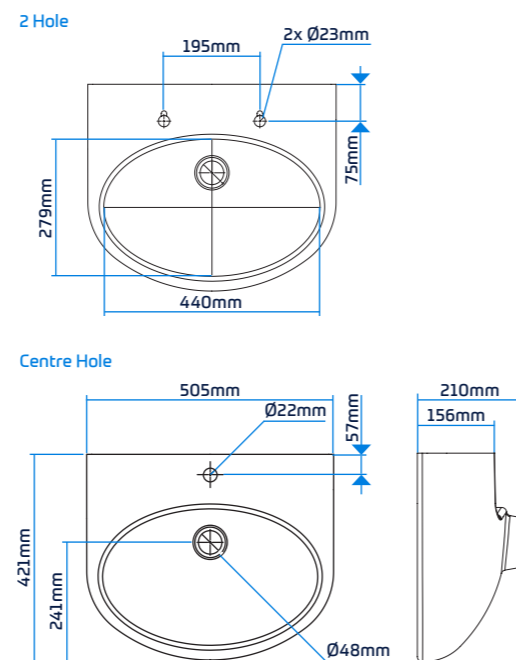
All our solid surface sanitary ware uses a unique blend of polyester resin and aluminium tri-hydrate that creates an incredibly reliable anti-vandal solution while also enhancing a durable long-lasting finish that does not use a gel coat layer, so the surface can be easily renewed on-site, unlike

fibreglass composite alternatives, stainless steel or vitreous china ceramic sanitaryware.

#### Features

- Damage resistant basins, ideal for use in all applications where there may be the potential for vandalism, heavy treatment or misuse
- Back to wall design can be mounted using our bespoke fixing bracket (Basin Waste with extended tail required with this option) See page 137
- Can be installed in conjunction with anti-ligature, water-saving basin controls
- Water flow can be activated with pneumatic or electronic controls – please enquire
- Non-Flammable – BS476 Pt 6 & 7 Class '0' and Class '1'
- ISO EN 19712-3-2007 Rated 5 for durability, stain resistance and cigarette burns

Product	Code
Resan® Centre Hole Oval Basin	333973
Resan® 2 Hole Oval Basin	330813
Cast Iron Fixing Bracket	333413
Oval Basin Waste Extended Tail 1.1/4"	368161



Technical Data	
Material	Polymer Resin
Available finishes	Matt, Gloss
Product Weight	21 kg
Fixing Orientation	Wall Fixed (Bracket Required)
Fixing Size	M6 C Bolts (Using Oval Basin Bracket)
Standard Conformity	BS 476 Pt.6 Fire propagation & surface spread of flame. ISO EN 19712-3-2007 Rated 5 for durability, stain resistance, cigarette burns etc.

### Resan® Oval Basin

Ideal for use in **Prisons** or other **Custodial** applications as Thomas Dudley has developed a **cast iron fixing bracket** that reduced the likelihood of the bracket cracking during **extended product** abuse



Visit our website



## 07 Resan Sanitaryware

### Sinks & Basins

#### Resan® Rectangular Basin

**RESAN SANITARYWARE // WASHROOM FILL & FLUSH**  
 Damage Resistant Rectangular Basin.

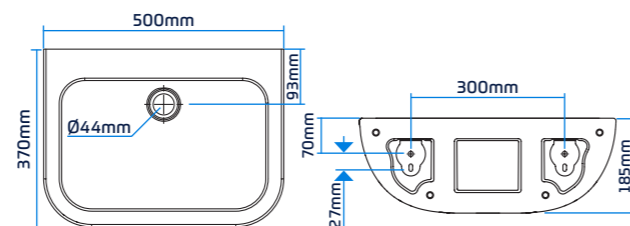
Our Rectangular basin is a wall fixed basin, designed specifically as a straight retrofit to equivalent vitreous china ceramic equivalent basin. This is particularly advantageous in applications that demand reduced downtime of washrooms.

All our solid surface sanitary ware uses a unique blend of polyester resin and aluminium tri-hydrate that creates an incredibly reliable anti-vandal solution while also enhancing a durable long-lasting finish that does not use a gel coat layer, so the surface can be easily renewed on-site, unlike fibreglass composite alternatives, stainless steel or vitreous china ceramic sanitaryware.

#### Features

- Damage resistant basins, ideal for use in all applications where there may be the potential for vandalism, heavy treatment or misuse
- Back to wall design allows all pipework to be safely concealed
- Can be installed in conjunction with water-saving basin controls
- Water flow can be activated with pneumatic or electronic controls – please enquire
- Easy clean matt and gloss finishes
- Bespoke colours and designs can be supplied subject to sufficient demand
- Non-Flammable – BS476 Pt 6 & 7 Class '0' and Class '1'
- ISO EN 19712-3-2007 Rated 5 for durability, stain resistance and cigarette burns

Product	Code
Resan® Rectangular Basin	330812
Chrome Flush Grated Waste 1.3/4" x 2.7/8" Flange   89mm Solid Tail	368187



#### Technical Data

Material	Polymer Resin
Available finishes	Matt, Gloss
Product Weight	22 kg
Fixing Orientation	Wall Fixed
Fixing Size	M10 x 300mm Threaded Bar
Standard Conformity	BS 476 Pt.6 Fire propagation & surface spread of flame. ISO EN 19712-3-2007 Rated 5 for durability, stain resistance, cigarette burns etc.

#### Resan® Rectangular Basin

Water flow can be activated with **pneumatic** or **electronic** controls

Back to wall design allows all **pipework** to be **safely concealed**



Damage resistant & anti-ligature

Can be installed in conjunction with **anti-ligature, water-saving basin controls**

Can be supplied with a **Flush grated waste**



Visit our website



## 07 Resan Sanitaryware Urinal Units

### Resan® Damage Resistant Urinal

#### RESAN SANITARYWARE // WASHROOM FILL & FLUSH

##### Damage Resistant Urinal.

Urinals are perfect for use in high traffic washrooms as they reduce waiting times for WCs and take up less space than a standard cubicle. Combined with the benefits of Resan solid surface sanitaryware, they are a perfect solution for environments that will see challenging use and potential vandal and damage situations.

Resan Urinals are suitable for use with direct flush controls from Resan or automatic urinal flushing with Kinetic® IRC flush controls for managed water supply use [see page 100]. Both flushing systems can be used with concealed pipework and the waste trap is shrouded to further reduce the potential for damage and expensive flood repairs.

It is important when using a direct flush system that a DC Pipe Interrupter [see page 107] is fitted to comply with Water Regulations. Resan manufactures and supplies these as part of all specifications.

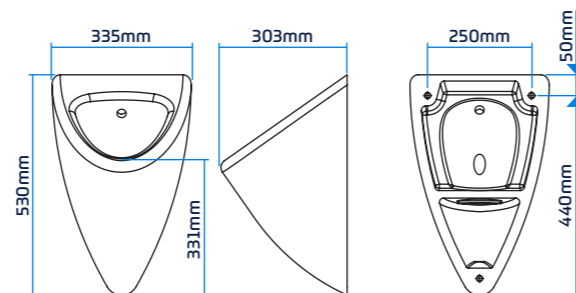
Resan Urinals are installed in back to wall applications so are for use where access to services is behind the wall. This is typically in IPS panelling situations or where service risers are available.

Cast as a single piece, the urinal is an extremely robust alternative and thanks to our unique mix of polyester resin and aluminium tri-hydrate, we achieve a long lasting finish which is easily refinished on site, unlike other alternatives such as fibreglass composites which have a gel coat layer.

#### Features

- Damage resistant sanitaryware which is ideal for use in all applications where there may be the potential for vandalism, heavy treatment or misuse
- Damage-resistant and anti-ligature
- Back to wall design allows all pipework to be safely concealed
- Can be teamed with water-saving electronic urinal controls that support BREEAM and other initiatives
- Easy clean matt and gloss finishes
- Bespoke colours and designs can be supplied subject to sufficient demand
- Non-Flammable – BS476 Pt 6 & 7 Class '0' and Class '1'
- ISO EN 19712-3-2007 Rated 5 for durability, stain resistance and cigarette burns
- BREEAM rated
- CE Marked

Product	Code
Resan® Urinal	325601
Accessories (Waste/Spreader & Trap Kit)	327395



#### Technical Data

Material	Polymer Resin
Available finishes	Matt, Gloss
Product Weight	17 kg
Fixing Orientation	Through Wall
Fixing Size	M10 x 300mm Threaded Bar
Standard Conformity	BS 476 Pt.6 Fire propagation & surface spread of flame. ISO EN 19712-3-2007 Rated 5 for durability, stain resistance, cigarette burns etc.

### Resan® Damage - Resistant Urinal

Suitable for use with **direct flush controls** or **automatic urinal flushing with Kinetic®** [see page 100]

It is important when using a **direct flush system** that a **DC Pipe Interrupter** [see page 107] is fitted to comply with **Water Regulations**.



Damage resistant & anti-ligature

Can be teamed with **water-saving electronic urinal controls** that support **BREEAM** and other initiatives

Comprehensive range of accessories available;  
**Waste/Spreader & Trap Kit**



Visit our website



## 07 Resan Sanitaryware Mirror Frames & Shelving

### Resan® Mirror Frame

#### RESAN SANITARYWARE // WASHROOM FILL & FLUSH

##### Resan Mirror Frame System

Our mirror frame systems make use of a 3mm thick tough polycarbonate that is vandal and scratch resistant while also not flexing easily. This is particularly important for dementia sufferers as well as custodial applications where weaponising of a broken product must be avoided.

It also offers a great solution for vandal proof rest room mirror, industrial and other high footfall requirements where the unit is subject to damage and vandalism.

We offer two frame sizes manufactured as a single piece as standard but are able to manufacture bespoke sizes subject to request and consultation with our Specification Team.

#### Features

- Ideal for use alongside Resan sanitaryware where there may be the potential for vandalism, heavy treatment or misuse
- Damage resistant and anti-ligature
- Bespoke colours and designs can be supplied subject to sufficient demand
- 350mm x 450mm
- 600mm x 500mm
- UK Ministry Of Justice Safe Cell Approved
- Non-Flammable – BS476 Pt 6 & 7 Class '0' and Class '1'
- ISO EN 19712-3-2007 Rated 5 for durability, stain resistance and cigarette burns

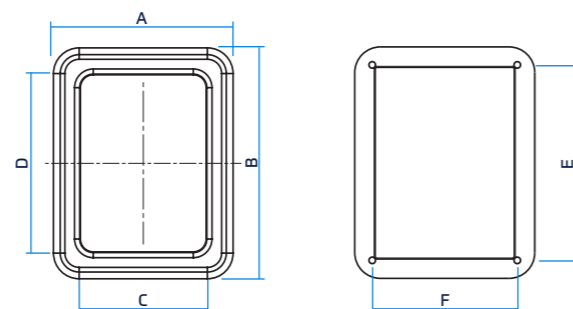
#### Options

- Stone Cast

Product	Code
Standard Resan Mirror 350 x 450mm [rear fixed]	326147
Large Resan Mirror 500 x 600mm [rear fixed]	334297
Standard Resan Mirror 350 x 450mm [front fixed]	371636
Large Resan Mirror 500 x 600mm [front fixed]	374414



Mirror	A	B	C	D	E	F
Standard	350mm	450mm	245mm	345mm	380mm	282mm
Large	500mm	600mm	395mm	495mm	531mm	431mm

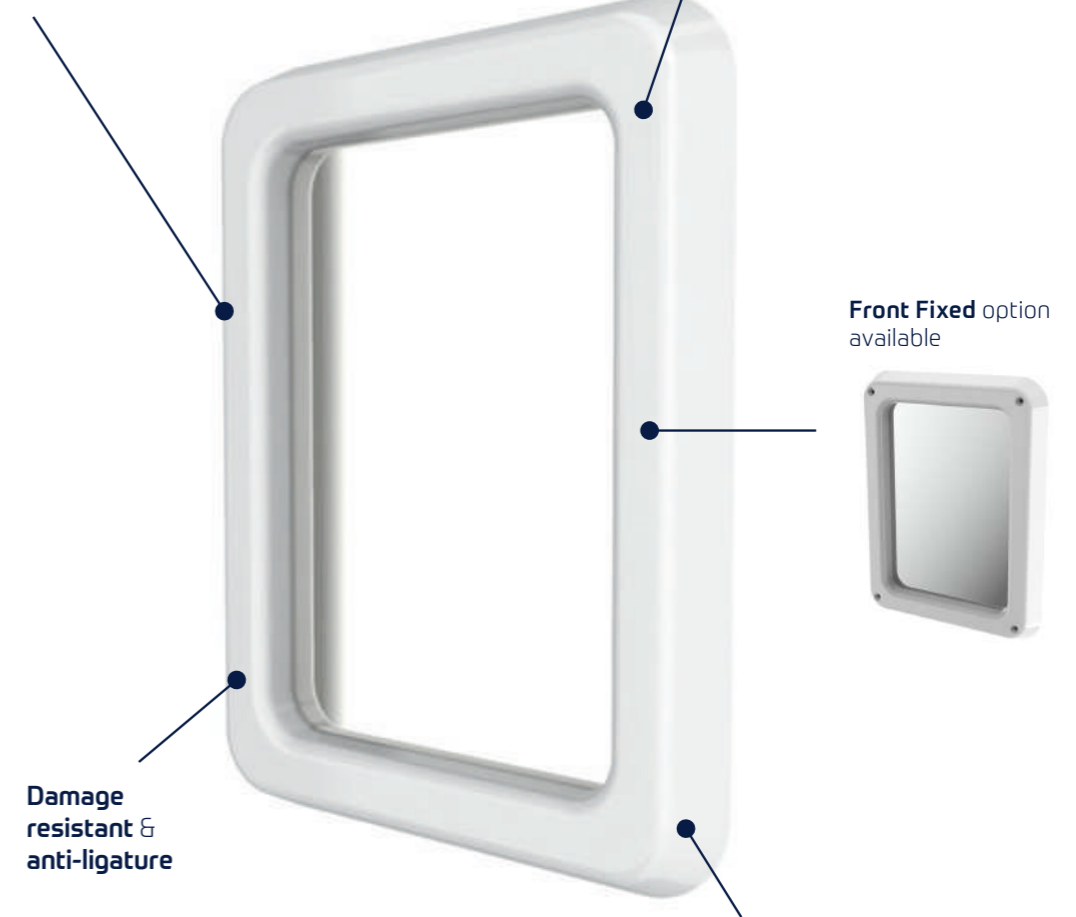


Technical Data	
Material	Polymer Resin
Available finishes	Stone Cast, Gloss
Product Weight	3.1kg for 450x300mm. 7kg for 600x500
Fixing Orientation	Wall Fixed
Fixing Size	M10
Standard Conformity	BS 476 Pt.6 Fire propagation & surface spread of flame. ISO EN 19712-3-2007 Rated 5 for durability, stain resistance, cigarette burns etc.

### Resan® Mirror Frame

3mm thick tough polycarbonate that is **vandal** and **scratch resistant** while also not flexing easily. Important for **dementia sufferers** as well as **custodial applications** where **weaponising** of a broken product must be avoided

Solution for **vandal proof** restroom mirror, industrial and other **high footfall** requirements where the unit is subject to damage and vandalism



Available in 2 sizes  
[350 x 450mm] and  
[500 x 600mm]

Visit our website



## 07 Resan Sanitaryware

### Mirror Frames & Shelving

#### Resan® Anti-Ligature Shelf

##### RESAN SANITARYWARE // WASHROOM FILL & FLUSH

##### Anti Ligature Shelf.

We offer a range of anti-ligature, durable and tough solid surface shelves that are available in a range of sizes and can be both in rear or front fixed.

Our Resan shelves do not have a gel coat layer, so the surface can be refreshed on-site through simple on-site refinishing of the product, which is particularly advantageous when compared to fibreglass composite alternatives.

Resan shelves are anti-ligature in design and cast as a single piece, avoiding unnecessary joints lines which are difficult to clean and potential weak spots.

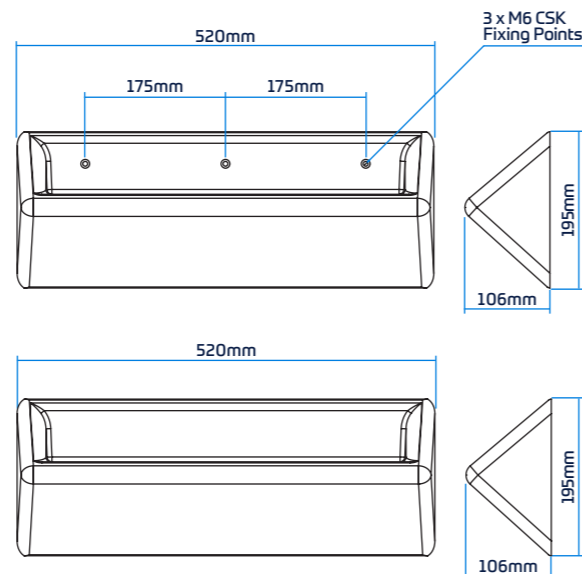
We offer a highly polished finish which helps ease cleaning and all Resan product has an easily renewable surface.

We can manufacture alternative sizes upon project consultation and would typically recommend bolt to wall fixing when used in healthcare and mental health applications.

##### Features

- Ideal for use in conjunction with Resan sanitaryware to create damage resistant installations in all commercial applications
- Damage resistant and anti-ligature
- Bespoke colours and designs can be supplied subject to sufficient demand

Product	Code
Resan® Shelf - Rear Fixed	326144
Resan® Shelf - Front Fixed	331493



Technical Data	
Material	Polymer Resin
Available finishes	Matt, Gloss
Product Weight	7.5 kg
Fixing Orientation	Front Fixed
Fixing Size	M10 Fixing Points
Standard Conformity	BS 476 Pt.6 Fire propagation & surface spread of flame. ISO EN 19712-3-2007 Rated 5 for durability, stain resistance, cigarette burns etc.

#### Resan® Anti-Ligature Shelf

Alternative sizes can be manufactured upon project consultation

Highly polished finish; eases cleaning and has an easily renewable surface

Damage resistant & anti-ligature

Can be both rear and front fixed



Visit our website



## 07 Resan Sanitaryware Intelligent Controls

### Resan® Washroom Control System

#### RESAN SANITARYWARE // WASHROOM FILL & FLUSH

Introducing the **NEW Dudley Resan® Washroom Control System** with 4 channels, intended primarily to control a single washroom's water outlets for use in specialist custodial and healthcare applications.

#### Features

- A complete washroom water management system that allows control of any combination of hot and cold taps, shower outlet and WC
- Activation of all controls using either infra-red sensors

- or piezo buttons
- Visual display for easy programming with tactile program buttons
- Programmable run time of hot & cold taps and showers
- Programmable lock out to prevent misuse of all outlets
- Programmable manual and automatic purge and chlorination cycle
- Remote key switch option available for out of room washroom shut off [374579]
- UKCA/CE Marked

Product	Code
Washroom Control System only	374572

#### Washroom Control Kit 1 - Piezo Controls

##### supplied complete with:

- > Washroom Control System
- > Input and Output Extension Cables
- > x1 Blue Piezo Touch Control, x2 Red Piezo Touch Control, x1 Silver Piezo Touch Control
- > WC Cistern Interface Control
- > x3 Solenoid Valves

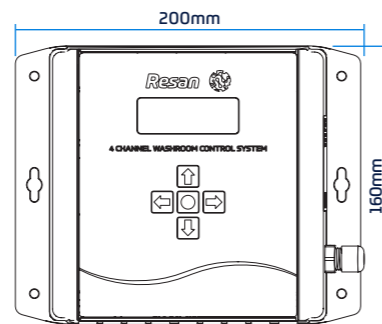
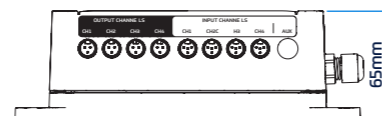
374980

#### Washroom Control Kit 2 - Infra-red Sensor

##### Controls supplied complete with:

- > Washroom Control System
- > Input and Output Extension Cables
- > x1 Blue Infra-red Sensor, x2 Red Infra-red Sensor, x1 Silver Infra-red Sensor
- > WC Cistern Interface Control
- > x3 Solenoid Valves

374981



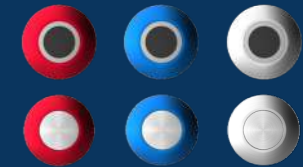
#### Technical Data

Model No.	RWC - 4C
Unit Weight	0.75 Kg
Mains Supply	220 - 240V AC 50Hz Single Phase
Power Output	12V DC 30W Max.
IP Rating	IP44
Battery	C2032 3V

### Resan® Washroom Control System

Visual display for **easy programming** with tactile program buttons

Activation of all controls using either **infra-red sensors** or **piezo buttons**



Programmable run time of hot & cold taps and showers



Remote key switch option available for out of room washroom **shut off**

Visit our website



## 07 Resan Sanitaryware Intelligent Controls



### Resan® Piezo Control Kit

TOUCH CONTROLS DESIGNED FOR USE WITH TAPS, SHOWER & WC

- Used in combination with our Washroom Control System
- 2 buttons for use with taps, Hot [red] Cold [blue]
- 1 button for use with taps, shower & WC
- Colour coded surrounds: Hot [red] Cold [blue] for taps, Pre-mixed [red as standard] for single tap or shower and Silver for WC
- Anti-ligature design
- Programmable run time and lock-out function available

Item	Code
Piezo Controls - 1 Button [Blue]	384594
Piezo Controls - 1 Button [Red]	374593
Piezo Controls - 1 Button [Silver]	374595



### Resan® Infra-Red Sensor Control Kit

TOUCH-FREE INFRARED CONTROLS DESIGNED FOR USE WITH TAPS, SHOWER & WC

- Used in combination with our Washroom Control System
- 2 Sensors for use with taps, Hot [red] Cold [blue]
- 1 Sensor for use with taps, shower & WC
- Colour coded surrounds: Hot [red] Cold [blue] for taps, Pre-mixed [red as standard] for single tap or shower and Silver for WC
- Anti-ligature design
- Hygienic touch-free operation
- Programmable run time, sensor range and lock-out function available

Item	Code
Infra-red Controls - 1 Sensor [Blue]	374613
Infra-red Controls - 1 Sensor [Red]	374596
Infra-red Controls - 1 Sensor [Silver]	374614



### Resan® Wash Basin Control Set

PNEUMATIC ANTI-VANDAL BASIN CONTROLS

- Through-the-wall control set for vandal resistant wash basins. For use in healthcare and secure sectors
- 3 sizes available to suit a range of wall thickness's [Wall thickness to be checked by installer]
- Vandal-resistant robust construction
- Anti-ligature design
- Stainless steel surround
- Anodised colour coded push buttons
- Supplied with pneumatic solenoid valve (½" BSP)
- Adjustable automatic shut-off

Item	Code
Resan Pneumatic Control for walls <20mm [hot & cold pair]	332825
Resan Pneumatic Control for walls <115mm [hot & cold pair]	326185
Resan Pneumatic Control for walls <240mm [hot & cold pair]	327822

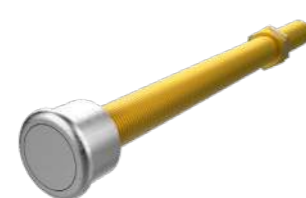


### Resan® WC Cistern Interface Control

WC FLUSH INTERFACE UNIT

- Used in combination with our Washroom Control System
- Converts the 12V DC output from the Resan Control Via the designated button or sensor into a Pneumatic output controlling the 6L single flush of our Miniflo or Pushflo Phantom VR concealed cisterns, please see pg 17
- No additional power supply required

Item	Code
Resan WC Cistern Control	374580



### Resan® Shower Control

VANDAL RESISTANT PNEUMATIC THROUGH THE WALL CONTROL

- Through-wall control set for vandal resistant shower systems. For use in healthcare & secure sectors
- Vandal resistant robust construction
- Anti-ligature design
- Stainless steel surround
- Supplied with solenoid valve (½" BSP)

Item	Code
Resan Shower Control	326186



### Resan® Basin & Shower Solenoid Valve Kit

12VDC

- Used for controlling the water supplies to the Shower and Hot & Cold taps
- Activation via Piezo touch button or infrared sensor
- Supplied with FI to 15mm compression fittings and includes 4m Output Cable
- Fasten Electrical Terminal connections for ease of installation
- No polarity on Electrical Terminal connections
- It is recommended that the in-line filter supplied is fitted to the inlet of the valve. Please note direction of flow

Item	Code
Resan Basin & Shower Solenoid Valve Kit	374578



### Resan® WC Direct Flush Valve Kit

CONTROLLING WATER SUPPLY TO THE WC PAN

- Used in combination with our Washroom Control System to provide complete control over the flush operation without the need for a concealed cistern
- Activation via Piezo touch button or infrared sensor
- Dual flush or single flush programmable
- Supplied with pipe interrupter for compliance to Water Regulations, all fittings & accessories and includes 4m Output Cable
- Fasten Electrical Terminal connections for ease of installation
- No polarity on Electrical Terminal connections
- Recommended min required flow rate is 100LPM (Litres Per Minute) & a flow regulator is pre fitted to govern flow rates exceeding this

Item	Code
Resan WC Direct Flush Valve Kit	374577



### Resan® Flush-pipe

PVC

- For use in combination with Dudley Direct Flush Valve for WC
- 610mm (24") x 610mm (24")x 38mm
- Can be cut down to length on the horizontal length
- The cutting of the vertical length is not recommended

Item	Code
Resan Flush-pipe	363703



### Resan® Remote Key Switch

BRUSHED STAINLESS STEEL FINISH

- Available if required for isolation of all functionality of the washroom control system - can be operated remotely & securely
- This Key operated switch is mounted into a flat Stainless steel plate which is printed 'ON and OFF' and is suitable for installation to a standard 1 Gang Metal, Dry-line or Patress box
- Comes with a 1 gang x 35mm deep metal clad patress box, with two switch plate mounting screws and two keys
- The auxiliary input cable is 4M long
- Keys are universal across all switches

Item	Code
Resan Remote Key Switch	374579



### Resan® Control Extension Kit

STEEL WITH A BRASS CONNECTING COLLAR

- To suit installation up to 200mm and 300mm thick

Item	Code
Resan Control Extension Kit 100mm	374575
Resan Control Extension Kit 200mm	374576



### Resan® Input Extension Cable

4M

- All IR sensors and Piezo touch buttons come with a 500mm long cable and a 4M input extension cable, this is so that the IR sensor or Button can be replaced without having to trace back and remove the whole cable back to the control unit
- It is recommended that any cabling either input or output does not exceed 8M

Item	Code
Resan Input Extension Cable [white]	374581



### Resan® Output Extension Cable

4M

- All IR sensors and Piezo touch buttons come with a 500mm long cable and a 4M input extension cable, this is so that the IR sensor or Button can be replaced without having to trace back and remove the whole cable back to the control unit
- It is recommended that any cabling either input or output does not exceed 8M

Item	Code
Resan Output Extension Cable [black]	374582

# 07 Resan Sanitaryware Options

## Resan® Anti-Vandal Taps

RESAN SANITARYWARE // WASHROOM FILL & FLUSH

Designed for use with Resan Oval Basin, the pair of non-concussive anti-vandal taps

### Water Saving

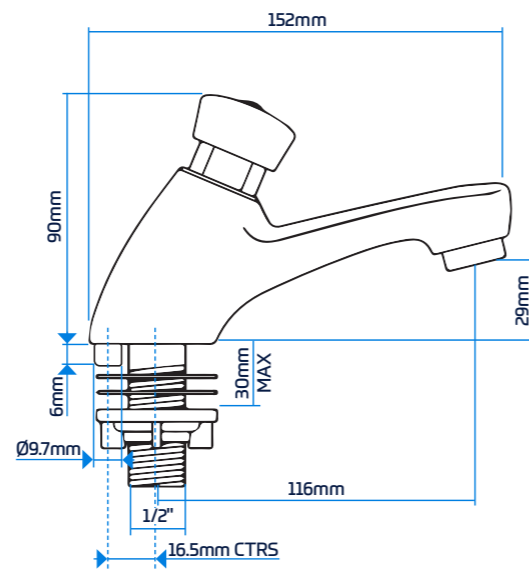
- Automatic shut off

### Features

- For prison and custodial applications
- Pair of non-concussive self-closing basin push button taps
- Deck mounted
- For use with Resan Oval basin
- Automatic shut off
- Supplied with hot and cold indices with water flow aerator
- Cartridge PRO-167/C+H/VALVE-C/P
- ½" x 50mm threaded tail connections
- Deck mount drill hole diameter 22mm
- Anti-vandal anti-swivel lug feature
- Minimum operating pressure 0.2 bar LP



Product	Code
Resan® Anti-Vandal Taps	332920



Technical Data	
Finish	Chrome
Flow Regulator	FR-100/5-PLA
Minimum Operating Pressure	0.2 bar LP
Flow Rate at 3.0 Bar Flow Pressure	15 l/min

Visit our website



### Resan® Wall Shower Head

VANDAL RESISTANT ANTI-LIGATURE WALL MOUNTED SHOWER HEAD

- Fixed wall mounted shower head for use with walls up to 230mm thick
- Automatic flow rate regulation
- Anti-ligature design
- Scale-resistant
- Adjustable spray nozzle with locking feature
- Concealed fixings
- Systematically drains after use (no water retention or impurity deposits)
- 10 year warranty
- Anti swivel lug

Item	Code
Resan Wall Shower	330798



### Resan® Ceiling Shower Head

VANDAL RESISTANT ANTI-LIGATURE CEILING MOUNTED SHOWER HEAD

- Vandal proof, anti-ligature shower for use in the healthcare & secure sector
- Vandal resistant robust construction
- Anti-ligature design
- Stainless steel finish
- Chrome plated brass body
- Other sized tails are available, please enquire

Item	Code
Resan Ceiling Shower	326184

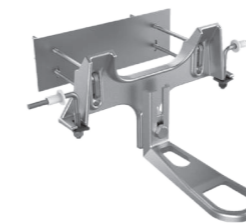


### Resan® Oval Basin Waste

1 ¼" BSP WASTE FOR RESAN OVAL BASIN

- For use with the Resan® Oval Basin
- Chrome plated
- 2 x plugs included
- 2 x back nuts included; chrome plated brass and nylon
- Sealing washer included

Item	Code
Resan 1 ¼" BSP Waste Extended Tail - Unslotted	332344
Resan 1 ¼" BSP Waste Extended Tail - Slotted	368161



### Resan® Oval Basin Bracket

HEAVY-DUTY CAST IRON BASIN BRACKET

- Heavy-duty mounting bracket for use with the Resan Oval Basin
- Highly robust ductile cast iron construction
- Damage resistant
- Suitable for use with Resan Oval Basin for direct retrofit purposes
- Supplied with through wall fixing kit (Max. Wall Thickness 155mm)
- Galvanised finish
- Height adjustable waste support

Item	Code
Resan Oval Basin Bracket	333413



### Waste / Spreader & Trap Kit for Resan® Urinal

COMPREHENSIVE RANGE OF ACCESSORIES

- Urinal waste 1½" brass body and stainless steel removable dome cover
- Urinal spreader back inlet tail is made from solid brass and head has a smooth chrome finish
- L10 1½" x 75mm seal trap
- Items available to purchase separately please enquire

Item	Code
Waste/Spreader & Trap Kit for Resan Urinal	327395



### Concealed Cisterns

IDEAL FOR USE BEHIND TILES & PARTITIONING

- Miniflo Concealed Cistern
- 411mm [W] x 276mm [H] x 131mm [D]
- Pneumatic 6L Single flush
- Range of vandal resistant buttons
- Pushflo VR Phantom Concealed Cistern
- 420mm [W] x 300mm [H] x 150mm [D]
- Pneumatic 6L Single flush valve
- C/W metal vandal resistant flat metal button

Item	Code
Miniflo Concealed Cistern	322950
Phantom VR Concealed Cistern	313321
Pushflo VR Concealed Cistern [Extended Spindle - 269mm]	324836

# Index

## A

Acclaim Urinal Flushing Cistern...105  
Anti-Vandal Taps .....136  
Arc Infra-Red Tap.....89  
Auto Cisterns ..... 104-105  
Auto Syphons .....106  
Avanti Infra-Red Tap..... 91

## B

Basin Support .....34  
Basin/Urinal Bracket.....107  
Bidet Frame ..... 33  
Buttons & Plates..... 54-83

## C

Compact Universal Frame .....30  
Compatibility Table ..... 96-97  
Concealed Cisterns ..... 36-53  
Contemporary Infra-Red Tap.....86  
Contemporary Infra-Red Soap  
Dispenser.....92  
Coral Dualflush Push Plate..... 72  
CP Round Single Flush Button.....64

## D

D Auto Urinal Flushing Cistern ... 104  
DC Pipe Interrupter .....107  
Dio Dualflush Button..... 58  
Drift Dualflush Push Plate .....68  
Dualflush Buttons ..... 54-62  
Dualflush Push Plates ..... 68-79

## E

eco-cistem™ .....18/38  
Electroflo ..... 86-95  
Electroflo WC Flush Sensor.....94  
Electroflo Urinal Sensor .....102

## F

Flat Metal Vandal-Resistant Push  
Button ..... 81  
Frames ..... 24-34  
Freestanda Frame.....32

## G

Geo Dualflush Button.....56

## H

Horizon Infra-Red Soap Dispenser...93  
Horizon Infra-Red Tap .....88  
Hydroflo Compact Float Valve.....23

## I

Illusion A Frame .....26  
Illusion Basin Frame .....34

Illusion Bidet Frame .....33  
Illusion Compact Universal Frame ...30  
Illusion Freestanda Frame .....32  
Illusion Sentinel .....35  
Illusion Universal Frame .....30  
Illusion V Frame.....28  
Infra-Red Plates .....76-79  
Inlet Valve.....23  
Intelligent Urinal Flush Control...100

## K

Kinetic ..... 21/100

## L

Linear Infra-Red Tap.....90

## M

Metal Pearl Vandal-Resistant Push  
Plate .....82  
Metal Royal Push Button .....80  
Miniflo Concealed Cistern .....48  
Miniflo Dualflush Button .....59  
Mirage Urinal Flushing Cistern...105

## O

OSMO F1 Concealed Cistern .....44  
OSMO T1 Concealed Cistern .....40  
Oyster Dualflush Push Plate.....73  
Oval Basin Waste .....137  
Outlet Valve.....23

## P

Palm Push Royal Dual Flush Button... 62  
Palm Push Royal Single Flush  
Button..... 66  
Pearl Dualflush Push Plate..... 74  
Pearl Palm Dualflush Push Plate... 75  
Petcock .....106  
Phantom Concealed Cistern .....50  
Piazza Dualflush Button .....60  
Piazza Single Flush Button .....63  
Plates & Buttons..... 54-83  
Prestige Concealed Cistern .....46  
Pushflo Concealed Cistern.....52

## Q

Quantum Push Button Syphon.14/22

## R

Reef Dualflush Push Plate .....70  
Remora Single Flush Button .....67  
Remora Twin Dualflush Buttons ... 61  
Remora Vandal-Resistant Push  
Plate ..... 83  
Resan Basins .....118-125  
Resan Basin Sensor Sleeve  
Extension .....135  
Resan Basin Waste .....137

Resan Ceiling Shower.....137  
Resan Infra-Red Controls.....134  
Resan Intelligent Controls ...132-135  
Resan Mirror..... 128-129  
Resan Options ..... 136-137  
Resan Oval Basin Waste.....137  
Resan Pans .....110-117  
Resan Piezo Controls.....134  
Resan Sanitaryware..... 108-137  
Resan Shelf .....130  
Resan Shower Control.....134  
Resan Tap .....136  
Resan Urinal ..... 126-127  
Resan Wall Shower .....137  
Resan Wash Basin Controls .....134  
Resan Washroom Control Unit...132  
Resan Waste/Spreader & Trap Kit for  
Resan Oval Basin Bracket ..... 137  
Royal Single Flush Button .....65  
Royal Twin Palm Push Button..... 62

## S

Sanitaryware Frames..... 24-35  
Single Flush Buttons..... 63-67  
Soap Dispensers..... 92-93  
Support Brackets.....35  
Spurge Pipes .....106  
Syphon .....22

## T

Taps .....86-91  
Touch-Free ..... 84-95  
Touch-Free Urinal Sensor .....102  
Tri-Shell Urinal Flushing Cistern ..104  
Turbo Edge Syphon .....22

## U

Universal Bracket.....107  
Universal Frame .....30  
Urinal Flush Controls .....21, 100-103  
Urinal Flushing ..... 96-103  
Urinal Flushing Accessories .104-105  
Urinal Flushing Cisterns ..... 100-101  
Urinal Sensor .....102  
Urinal Spreader.....106  
Urinal Waste .....107

## V

Vandal-Resistant Buttons &  
Plates..... 80-83  
Vantage Concealed Cistern.....42  
Victoria Outlet Valve.....23

## W

Wall-Hung Sanitaryware Frames...24  
Washroom Control System ...20/132  
Wave S1 Infra-Red Plate .....76  
Wave S2 Infra-Red Plate .....77  
Wave S3 Infra-Red Plate .....78  
WC Controls..... 94-95  
WC Flush Sensor..... 94-95  
WC Pan Support ..... 24-35

## Terms & Conditions of Sale

For full terms and conditions of sale please visit our website



## Warranty Registration

Dudley products are engineered to deliver quality, durability and reliability as standard.



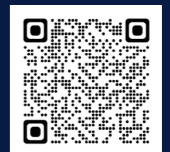
## Product Compliance

Thomas Dudley ensures compliance of its products to the Relevant national standards and the UK water supply (Water fittings) Regulations 1999, some of this testing is completed in our own independent UKAS accredited, WRAS recognised in-house test facility.



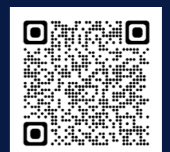
## Thomas Dudley is proud to support Made in Britain

For more information please visit the Made in Britain Website



## Committed to the Environment

Thomas Dudley has a commitment to comply with all relevant Environmental Policies, associated statutory legislation and approved codes of practice. For more information please visit our website



## When Quality & Commitment Counts

Thomas Dudley is committed to manufacturing high quality products that are both innovative and extremely reliable. We hold a number of accreditations including ISO 9001, ISO14001 and OHSAS18001



T H O M A S  
D U D L E Y



The source of **clever plumbing products and people**



**SPECIFICATION SALES MANAGER**

**p** +44 (0) 7717 200699

**NORTH  
PUBLIC SECTOR**

**p** +44 (0) 7747 446146

**NORTH  
PRIVATE SECTOR**

**p** +44 (0) 07468 474 245

**SOUTH  
PUBLIC SECTOR**

**p** +44 (0) 7803 890796

**SOUTH  
PRIVATE SECTOR**

**p** +44 (0) 7867 170142

**CUSTOMER SERVICE**

**e** [sales@thomasdudley.co.uk](mailto:sales@thomasdudley.co.uk)

**p** +44(0) 121 557 5411

**CREDIT CONTROL**

**e** [accounts@thomasdudley.co.uk](mailto:accounts@thomasdudley.co.uk)

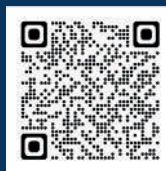
**MARKETING**

**e** [info@thomasdudley.co.uk](mailto:info@thomasdudley.co.uk)

**UK ENQUIRIES**

**t** +44 (0)121 530 7000

**or e** [sales@thomasdudley.co.uk](mailto:sales@thomasdudley.co.uk)



PSPSPL373751