



Applications

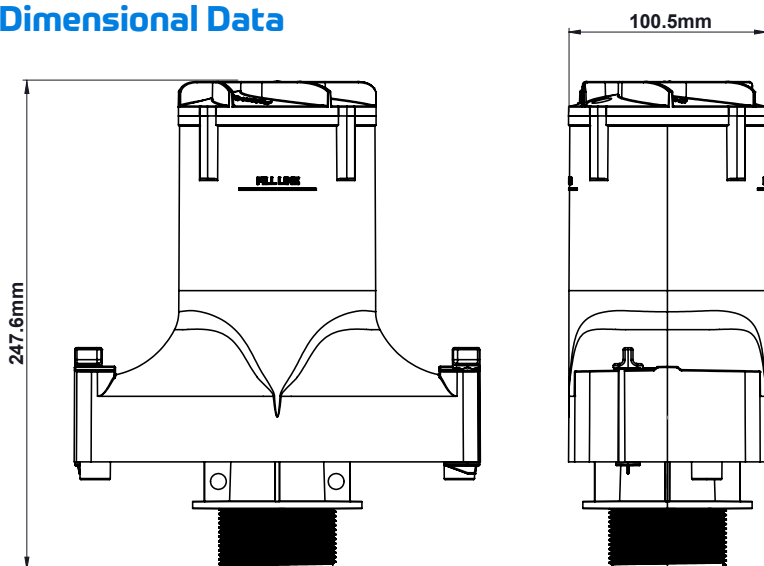
All new Pushbutton Operated Leak-Free Syphonic Toilet Flush Valve. This state-of-the-art product represents a significant leap forward in toilet flushing technology, offering unparalleled efficiency, reliability, and water conservation.

Features

- ~ Innovative pushbutton operation with a mechanically activated syphon, comes equipped with a user-friendly pushbutton mechanism
- ~ Choice of three button caps: 1. Flush design, 2. 5mm Protruding design, 3. Palm push button
- ~ Leak-Free syphonic technology designed and engineered in the UK in order to eliminate leaks and minimise water wastage; 10,000 hours of product development with leading Fluid Dynamics (CFD) experts
- ~ The leak-free design enhances the durability of the valve and contributes to Thomas Dudley's water conservation efforts
- ~ Optimises water usage by eliminating leaks without compromising performance, no dynamic joints beneath the water
- ~ Superior flow rate of 2.2L/sec (compared to standard syphons)
- ~ Easy installation and maintenance
- ~ Crafted from high-quality materials
- ~ Reliable & cost-effective choice for residential and commercial applications
- ~ BS EN 997 compatible with specified WC pans



Dimensional Data



Technical Data

Outlet	2"
Flush Volume	4L
Sizes	Fixed Height
Cistern type	Close Coupled