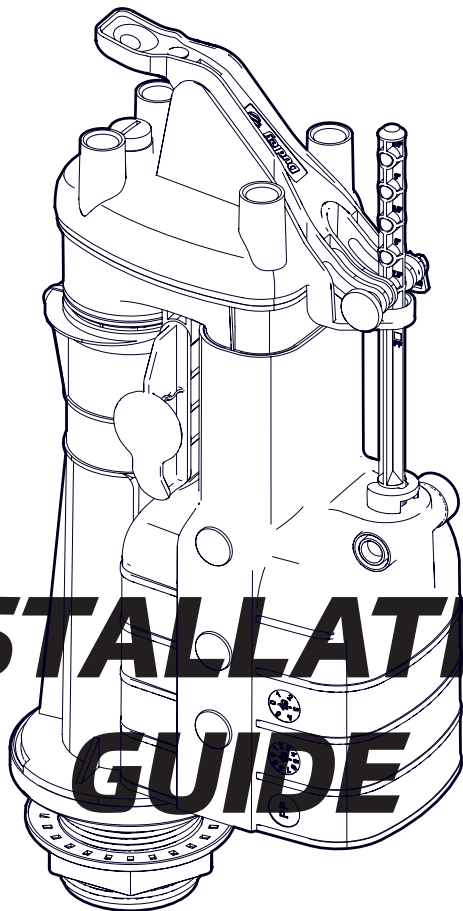


Dudley



TURBO EDGE QUANTUM
PUSH BUTTON SYPHON



INSTALLATION GUIDE

THOMAS 
DUDLEY 

IMPORTANT NOTES

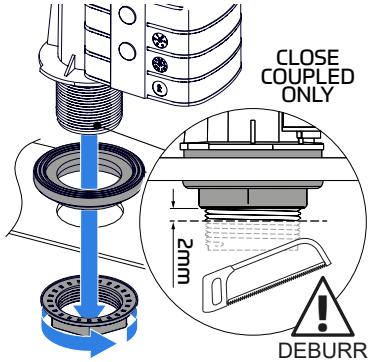
Before installation flush supply pipes and ensure cistern is clean and free from debris.

No sealing compound, paste, flux or solvent to be used in contact with plastic or rubber surfaces to avoid damage. Rubber washers will provide adequate seal. PTFE tape may be used on threads. No chemical block/additive to be used in this cistern.

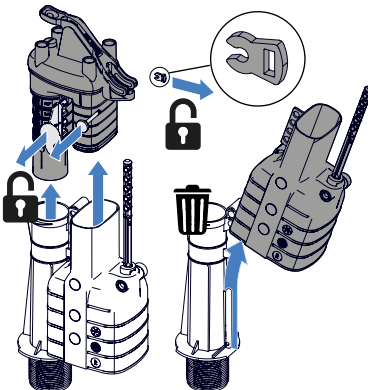
Do not over-tighten plastic fasteners. Hand tight + $\frac{1}{4}$ turn should provide an adequate seal (8Nm recommended).

All syphons have an internal overflow.

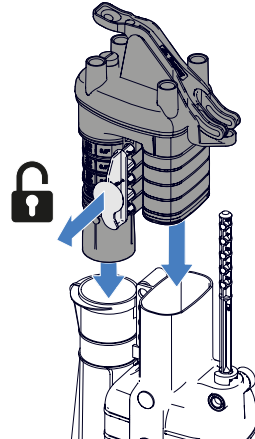
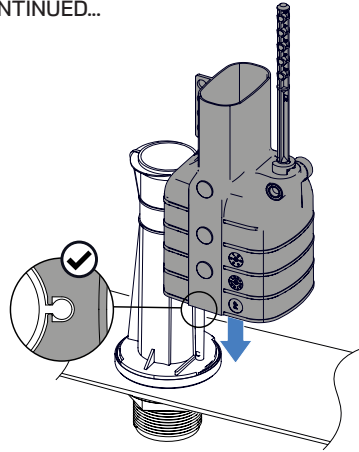
1a NEW INSTALL



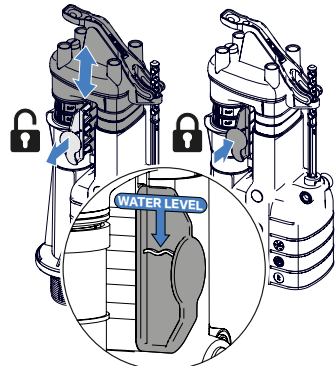
1b RETRO-FIT



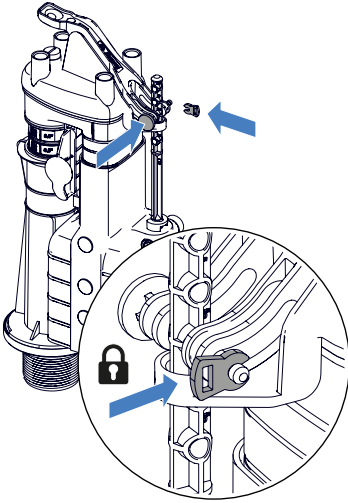
CONTINUED...



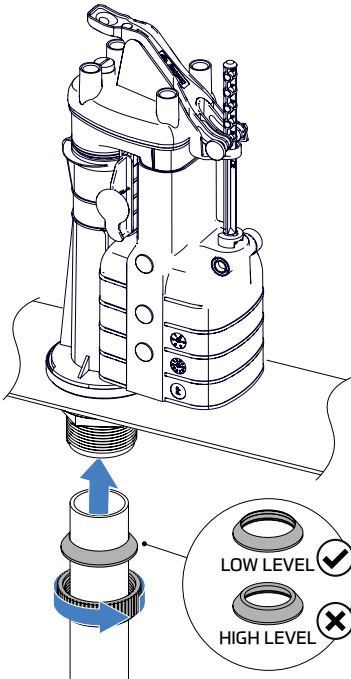
2



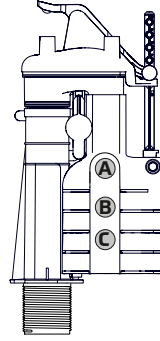
CONTINUED...



3

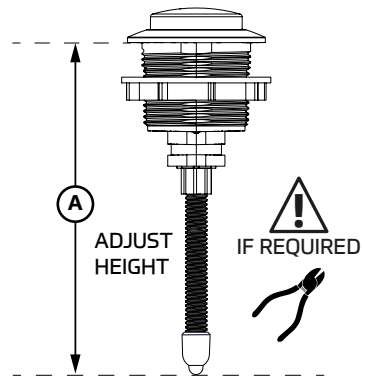
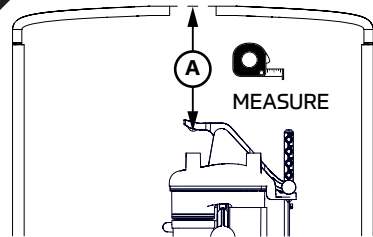


4

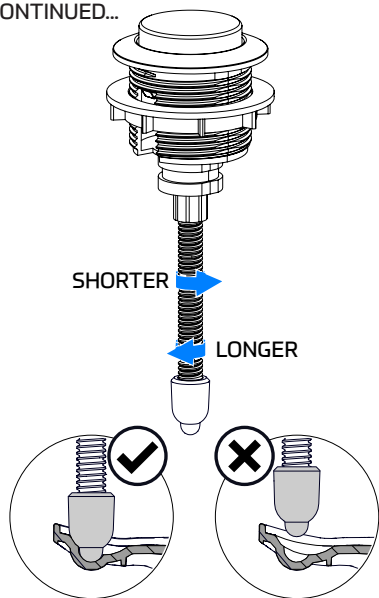


FLUSH VOLUME	CONFIGURATION
MIN.	Only 'A' OPEN
LOW	Only 'B' OPEN
HIGH	Only 'C' OPEN
MAX.	All positions CLOSED

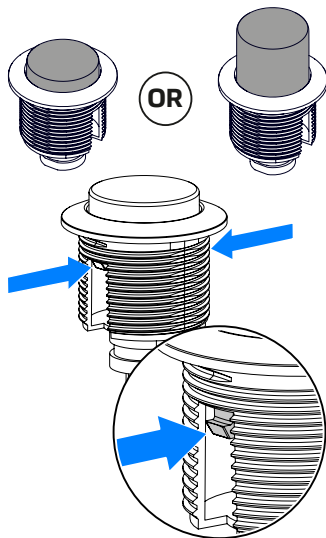
5



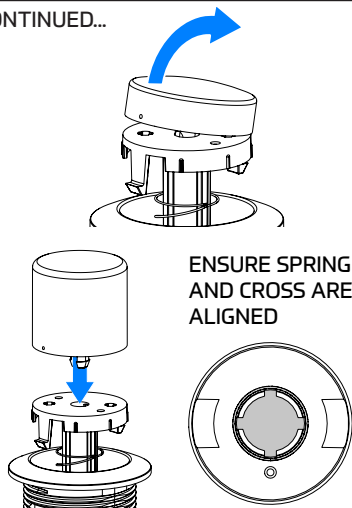
CONTINUED...



6



CONTINUED...



7

Final Installation Checklist

- ~ Check moving components are not obstructed and move freely.
- ~ Ensure push button foot connection is not in tension and allows syphon piston to fully return when at rest.
- ~ Check connections are secure and fixed correctly.
- ~ Connect and turn on water supply.
- ~ Check installation for leaks.
- ~ Check water level aligns to that marked on cistern and is as close as adjustment allows to water level marked on syphon snap pin.
- ~ Hold the valve open (float down) to check internal overflow operation is sufficient.
- ~ Installer to ensure cistern complies with UK water regulations.
- ~ Visit thomasdudley.co.uk/plumbing for service & maintenance information.