



Applications

Kinetic has been designed to optimise the water management of automatic cisterns and multiple station urinal installations.

Water Saving

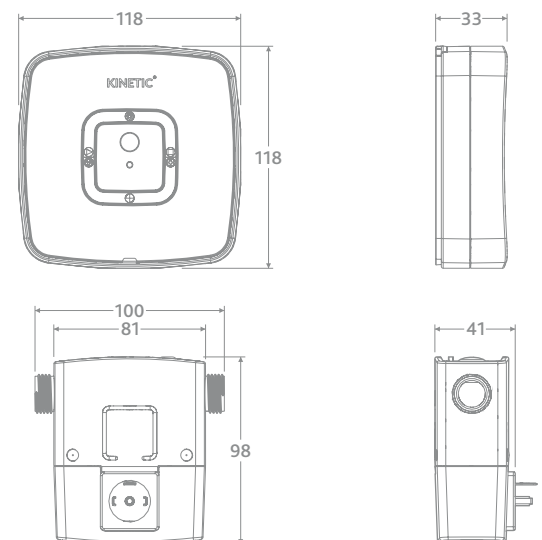
Regulates flushing based on actual wash-room usage to save up to 80% of water when compared to traditional systems.

Features

- ~ Installation flexibility; pipe, wall, or ceiling mounted
- ~ Supplied with flush mounting kit for neat ceiling installation
- ~ Power options; mains, 4xAA battery, or mains 240V AC direct
- ~ Control box can be installed remotely from solenoid (supplied with 1m cable as standard)
- ~ Passive IR sensor detects user movement to provide an efficient flushing system
- ~ 6 litre per minute flow regulation
- ~ Quick and intuitive set up interface and software
- ~ Hygiene and economy flushing modes can be quickly configured to customer requirements
- ~ Easy servicing without disassembly
- ~ Tamper proof design
- ~ Includes chrome fittings
- ~ WRAS approved.



Dimensional Data



Technical Data

Finish	White, Grey
Operating Voltage	6V DC (Integrated transformer)
Mains Supply	230V AC 50Hz
Battery Supply	4 x 1.5V AA
Sensor Range	5m, 80° Cone
Solenoid Valve Type	6V Latching
Solenoid Valve Connection	15mm Compression
Operating Pressure	Min. 0.1 Bar - Max. 10 Bar

