



### Applications

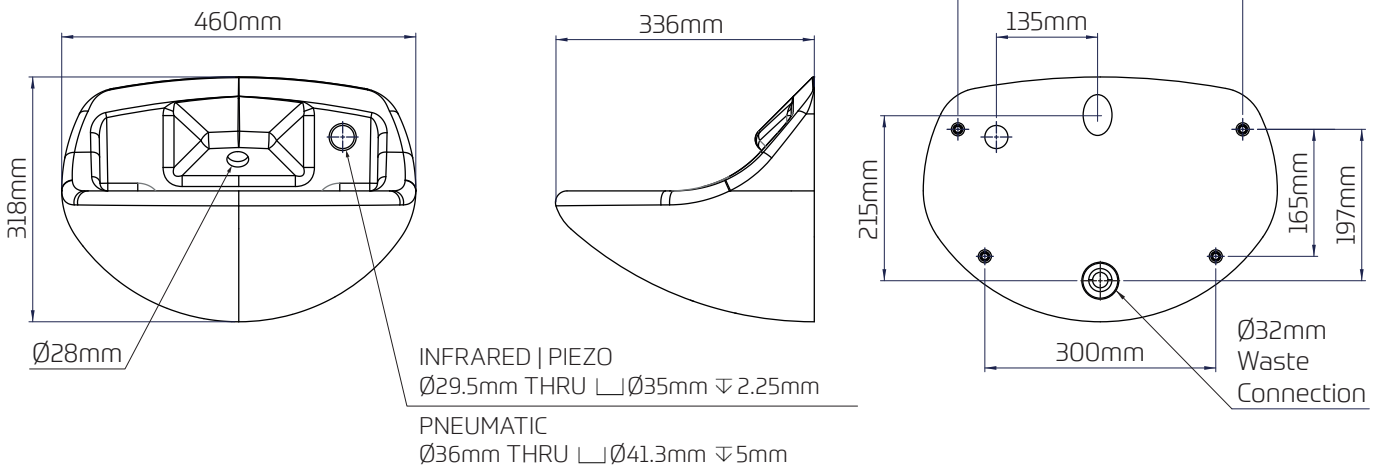
Suitable for installation within custodial, healthcare and commercial environments.

### Features

- ~ Right-hand or left-hand control
- ~ Central tap outlet
- ~ Anti-ligature
- ~ Damage resistant
- ~ Water flow can be activated using Infra-red, Piezo or Pneumatic controls – Sold Separately
- ~ Back to wall design allows all pipework to be safely concealed
- ~ Back to wall design allows all pipework to be safely concealed
- ~ Sensors | buttons can be used in through-wall applications up to 300mm thick when using extension piece
- ~ UKCA/CE Marked



### Dimensional Data



### Technical Data

Material	Polymer Resin
Available Finishes	Matt, Gloss
Fixing Orientation	Wall Fixed
Standard Conformity	BS 476 Pt.6 Fire propagation & surface spread of flame. ISO EN 19712-3-2007 Rated 5 for durability, stain resistance, Cigarette burns etc. Compliant with MoJ Estates Directorate Specification for use in safer cells BS EN 14688:2015 Sanitary appliances. Wash basins. Functional requirements & test methods
Product Code	370950 Resan Anti-Ligature Basin, Single Tap, Gloss Finish, RH Pneumatic Control. 374418 Resan Anti-Ligature Basin, Single Tap, Gloss Finish, RH Infrared   Piezo Control.



Twin Tap, Infrared | Piezo or  
Pneumatic Control

## Applications

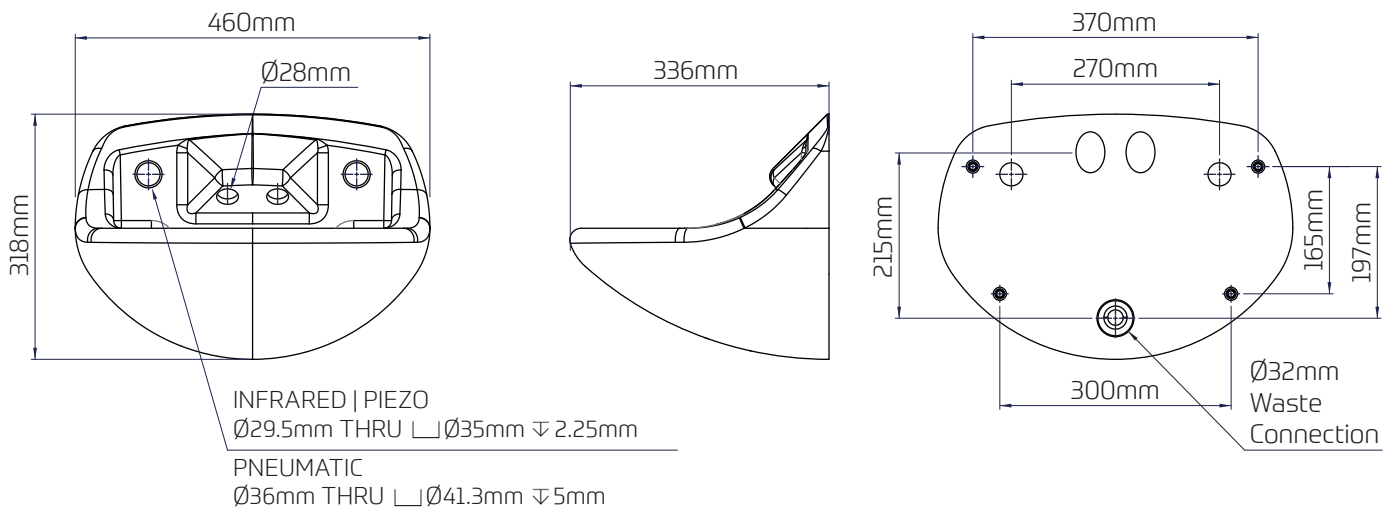
Suitable for installation within custodial, healthcare and commercial environments.

## Features

- ~ Twin control
- ~ Twin tap outlet
- ~ Anti-ligature
- ~ Damage resistant
- ~ Water flow can be activated using Infra-red, Piezo or Pneumatic controls – Sold Separately
- ~ Back to wall design allows all pipework to be safely concealed
- ~ Back to wall design allows all pipework to be safely concealed
- ~ Sensors | buttons can be used in through-wall applications up to 300mm thick when using extension piece
- ~ UKCA/CE Marked



## Dimensional Data



## Technical Data

Material	Polymer Resin
Available Finishes	Matt, Gloss
Fixing Orientation	Wall Fixed
Standard Conformity	BS 476 Pt.6 Fire propagation & surface spread of flame. ISO EN 19712-3-2007 Rated 5 for durability, stain resistance, Cigarette burns etc. Compliant with MoJ Estates Directorate Specification for use in safer cells BS EN 14688:2015 Sanitary appliances. Wash basins. Functional requirements & test methods
Product Code	333883 Resan Anti-Ligature Basin, Twin Tap, Gloss Finish, Pneumatic Control. 374417 Resan Anti-Ligature Basin, Twin Tap, Gloss Finish, Infra-red   Pneumatic Control.