



Applications

Ideal for use behind tiles and partitioning and in most other concealed applications.

Water Saving

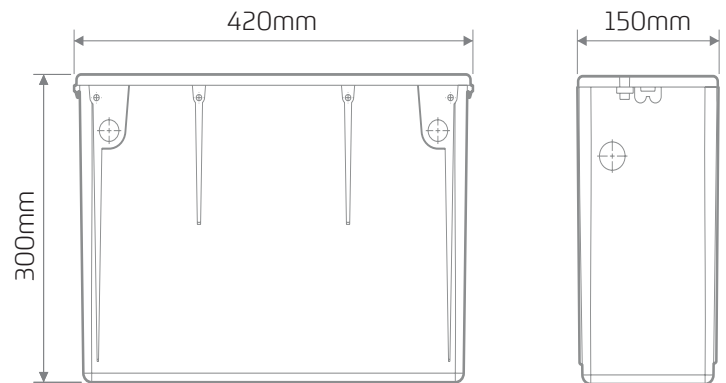
- ~ 6/7/9 Litre convertible
- ~ Dudley Duoflush delivers water-saving reduced flush when lever is held down and full flush when lever is depressed and released
- ~ 6/5/4 litre single flush also available
- ~ Approved by the European Water Label Scheme

Features

- ~ Levers are fitted with vandal-resistant stops to prevent them being rotated backwards
- ~ Supplied with WRAS approved Dudley Cascade+
- ~ Available with WRAS approved Turbo syphon please enquire
- ~ Available with WRAS approved Dudley Part 3 or Part 4 inlet valve
- ~ Top access
- ~ Internal/external overflow warning
- ~ Internal parts comply with the Regulator's Specification
- ~ Wide range of lever kits to fit partition/wall thickness from 12mm - 365mm
- ~ Can be installed with Illusion A WC support frame



Dimensional Data



Technical Data

Material	High Density Polystyrene (PS)
Inlet	Dudley Hydroflo Compact: Side or Bottom
Outlet	Dudley Cascade+: Dual Flush Syphon
Flush Volume	Dual Flush 6/4, 5/3, 4/2.6 Litre or Single Flush 6, 5, 4 Litre
Lever Reach	12-365mm
Product Code	315863 (side inlet) 317985 (bottom inlet)