



Applications

Designed to minimise the effect of changing water pressures. Smoothly controlled closure ensures a fast quiet shut off.

Features

- ~ Full Flow
- ~ Available in 1/2" to 4"
- ~ BSP or Flanged inlets
- ~ One size of seat & one size of ball float suits any working pressure up to the maximum recommended of 5.0 bar [72 psi]



Recommended Float Sizes for BS1212 Ballvalves and EBCO Equilibrium Ballvalves

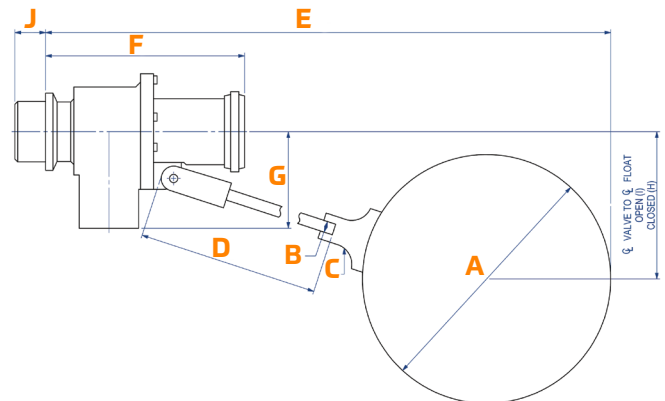
BS1212 Ballvalves						Equalilibrium Ballvalves	
BV Size	Float & Stud Size Copper or Plastic Floats Recommended	HP	MP	MP	LP	Float & Stud Size Copper or Plastic Floats Recommended	
1/2"	4 1/2" x 5/16"	1/8"	3/16"	1/4"	3/8"	4 1/2" x 5/16"	
3/4"	6" x 5/16"	1/4"			1/2"	6" x 5/16"	
1"	8" x 7/16"	3/8"			5/8"	8" x 7/16"	
1 1/4"	10" x 9/16"	3/4"			15/16"	8" x 7/16"	
1 1/2"	10" x 9/16"	3/4"			15/16"	10" x 9/16"	
2"	12" x 5/8"	1"			1 1/4"	12" x 5/8"	
2 1/2"						15" x 3/4"	
3"	15" x 3/4"					15" x 3/4"	
4"	16" x 7/8"					16" x 7/8"	

Flow Rate Charts for EBCO Equilibrium Ballvalves Only

Mark 1 Pressure (Bar)	Flowrate (Ltrs / min)				
	1/2" Valve	3/4" Valve	1 1/4 Valve	2" Valve	4" Valve
0.5	29.8	53.90	205	497	2227
1	41.2	75	292	694	3124
1.5	50	92.34	355	852	3812
2	57.5	107.40	412	976	4380
2.5	64.2	119.50	461	1098	4879
3	70.6	130.00	502	1192	5328
3.5	76.6	138.80	544	1276	5738
4	82.2	146.90	582	1359	6117
4.5	87.6	154.60	616	1430	6478
5	92.6	163.30	649	1501	6841

EBCO Equilibrium Ballvalves

	1/2	3/4"	1"	1 1/4"	1 1/2"	2"	2 1/2"	3"	4"
A	4 1/2"	6"	8"	8"	10"	12"	15"	15"	16"
B	5/16"	5/16"	7/16"	7/16"	9/16"	5/8"	3/4"	3/4"	7/8"
C	Stud	Stud	Stud	Stud	Stud	Stud	Stud	Stud	Stud
D	10"	13"	16"	17"	18"	19"	20"	21"	23"
E	17"	22"	25"	27"	30"	36"	39"	42"	47"
F	3 1/2"	4 1/2"	5"	5 1/2"	6 3/4"	8"	9 1/4"	10 1/4"	12"
G	1"	1 1/2"	2"	2 1/4"	2 1/2"	3"	3 1/4"	3 3/4"	4 3/4"
H	5"	5"	6"	6"	8"	9"	9"	9"	10"
I	8"	10"	12"	14"	16"	17"	17"	17"	21"
J	1 1/4"	1 1/2"	2"	2 1/4"	2 1/2"	3"	3 1/4"	3 3/4"	4 3/4"



For product codes please see website