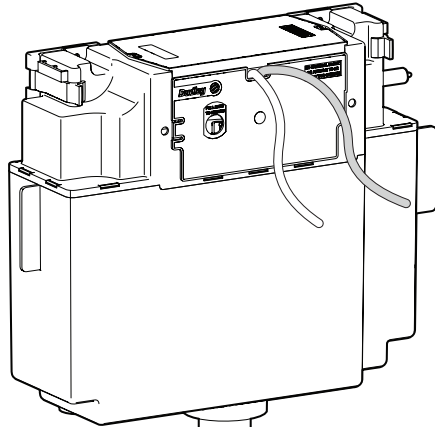


Dudley

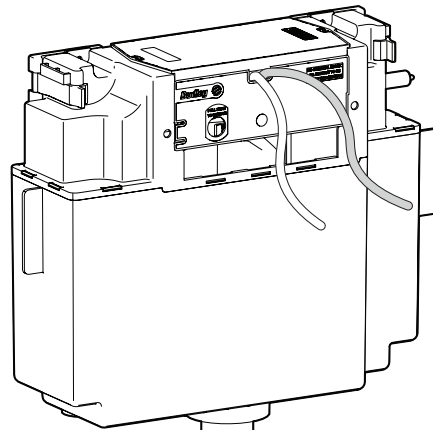


VANTAGE 2

CONCEALED PNEUMATIC CISTERN



FLUID CATEGORY 3



FLUID CATEGORY 5

INSTALLATION GUIDE



T H O M A S
D U D L E Y



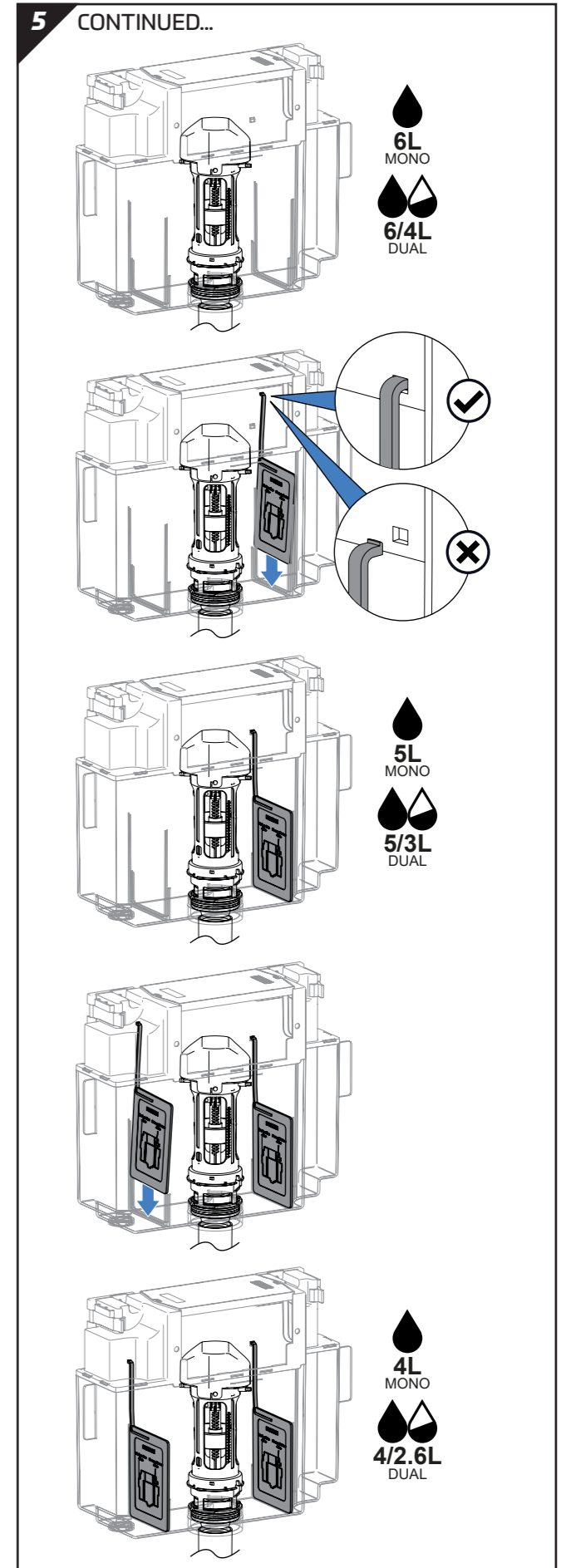
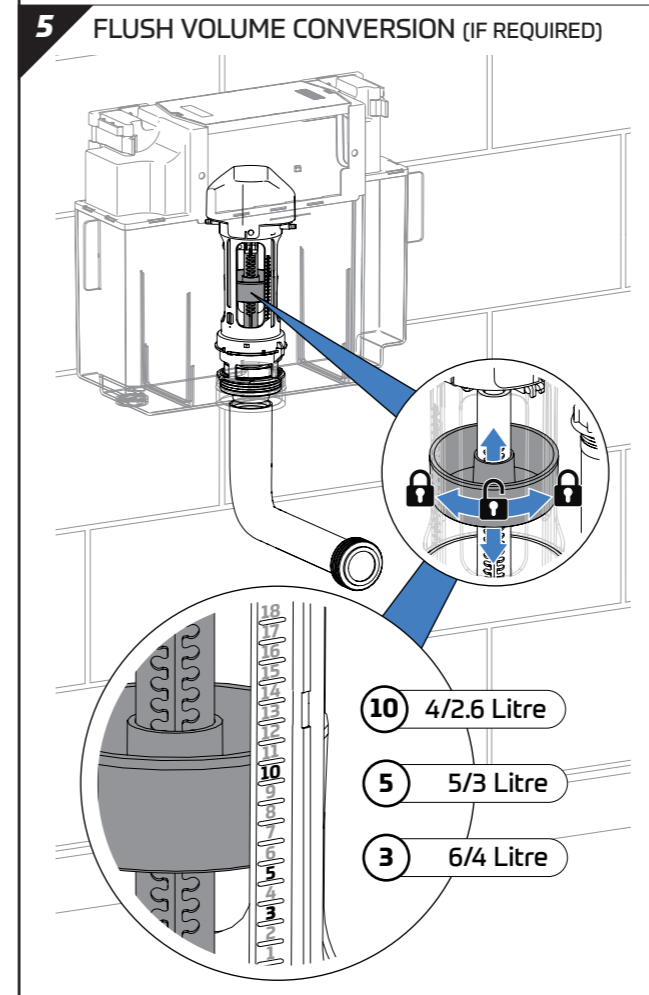
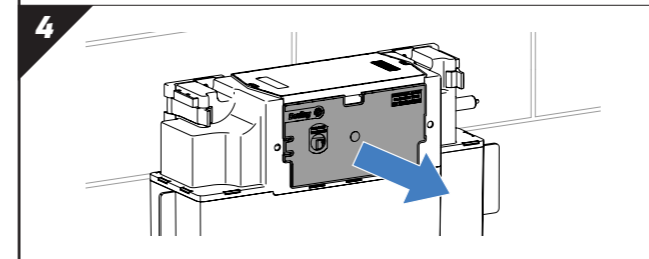
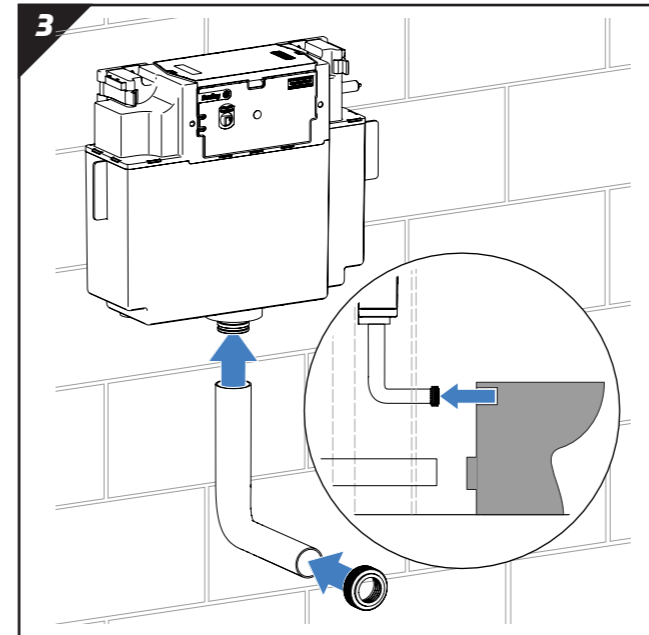
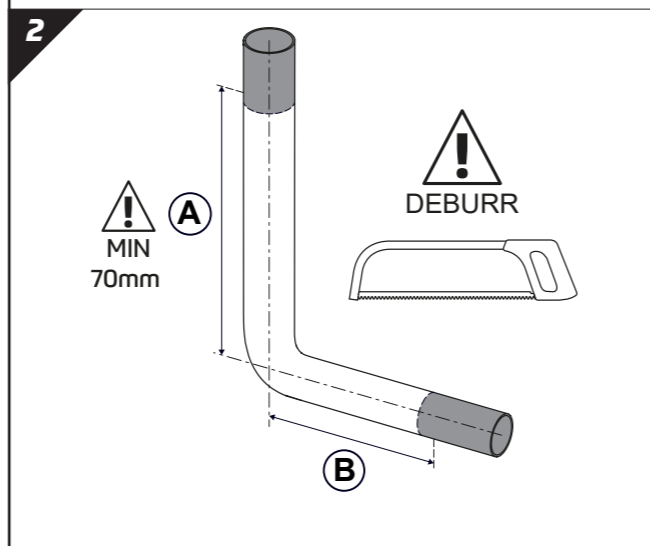
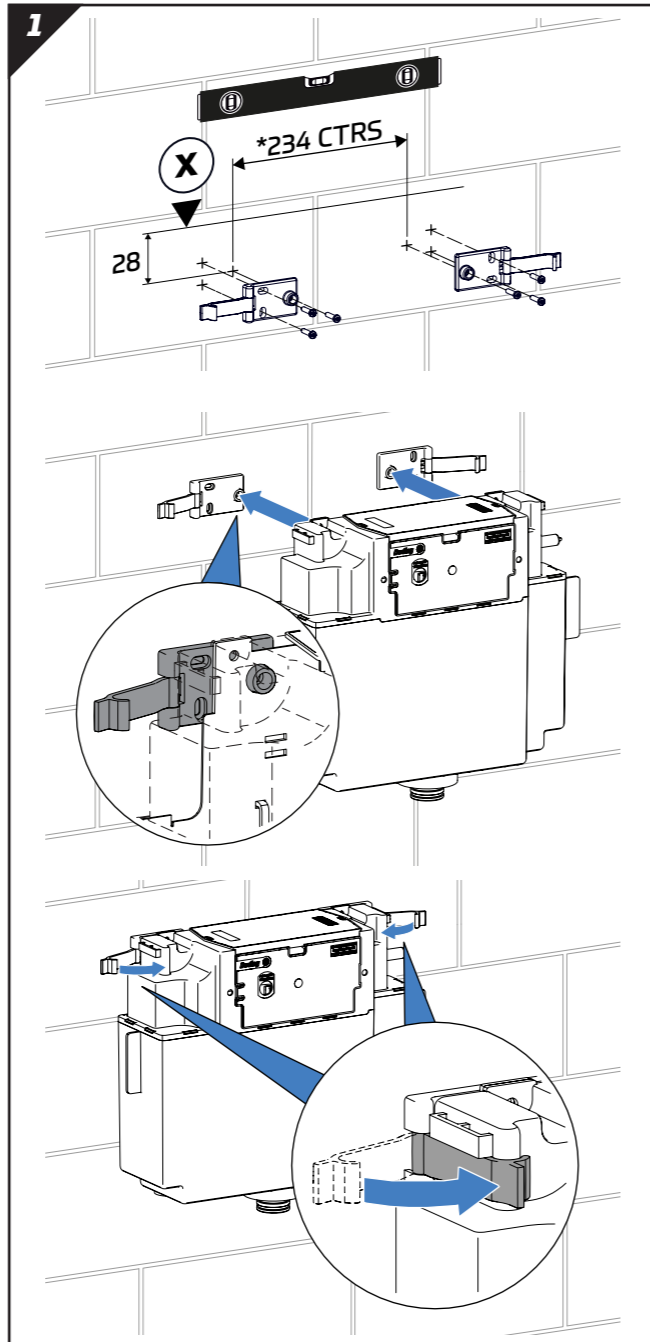
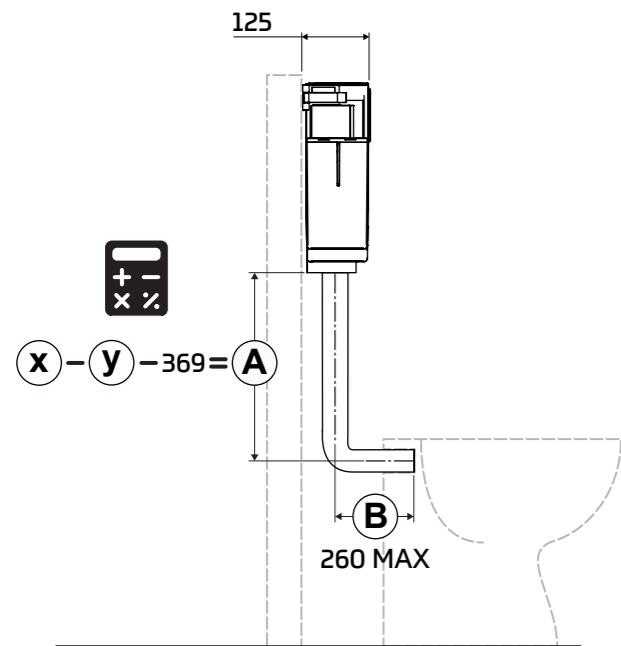
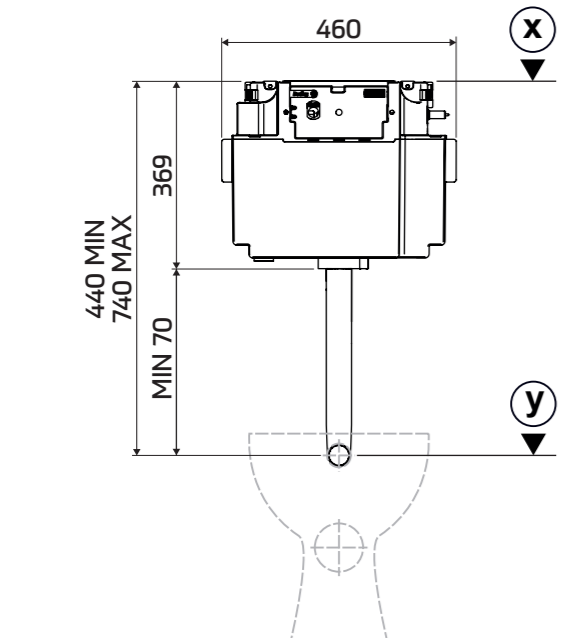
IMPORTANT NOTES

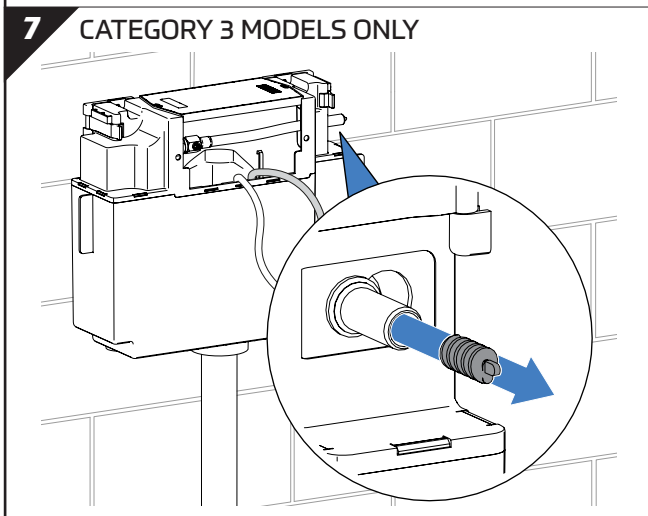
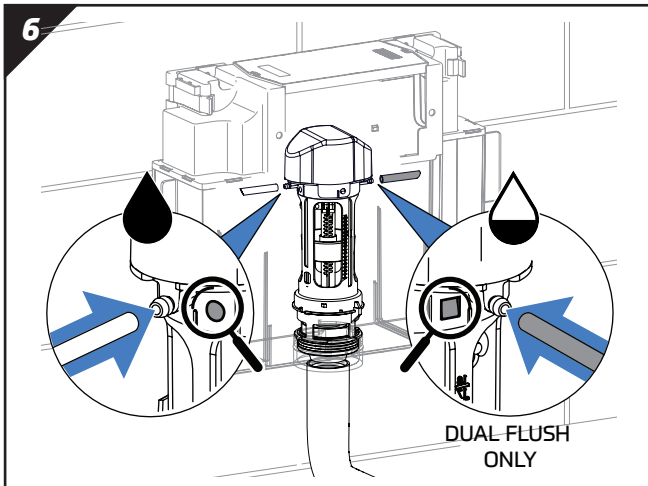
In addition to reference dimensions, allowance must be made for isolation valve, piping and button.

No sealing compound, paste, flux or solvent to be used in contact with plastic or rubber surfaces to avoid damage. Rubber washers will provide adequate seal. PTFE tape may be used on threads. Do not over tighten plastic nuts. No chemical block/additive to be used in this cistern.

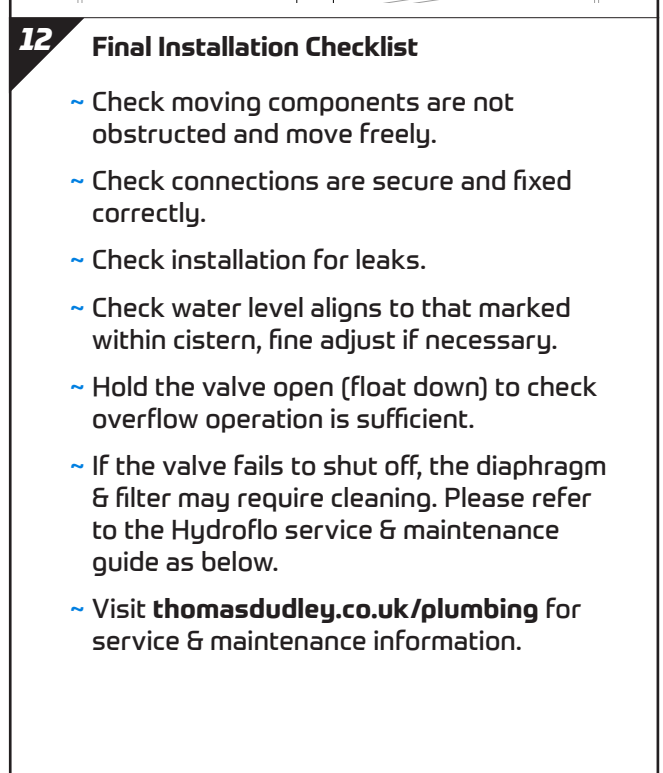
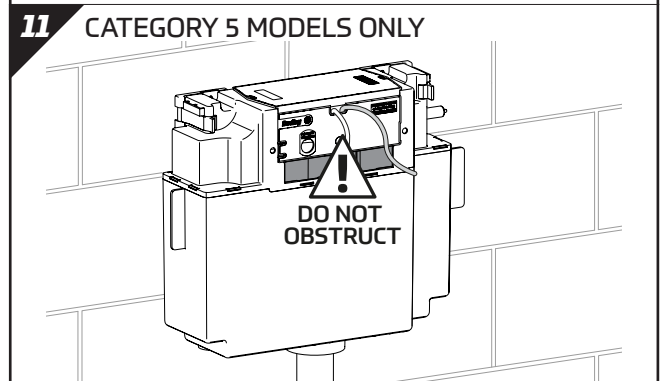
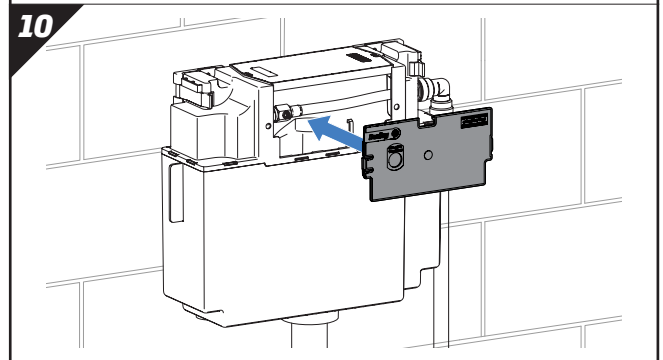
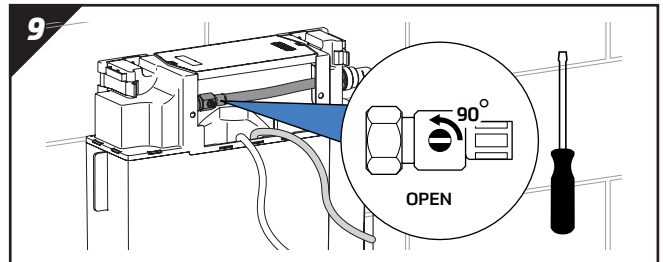
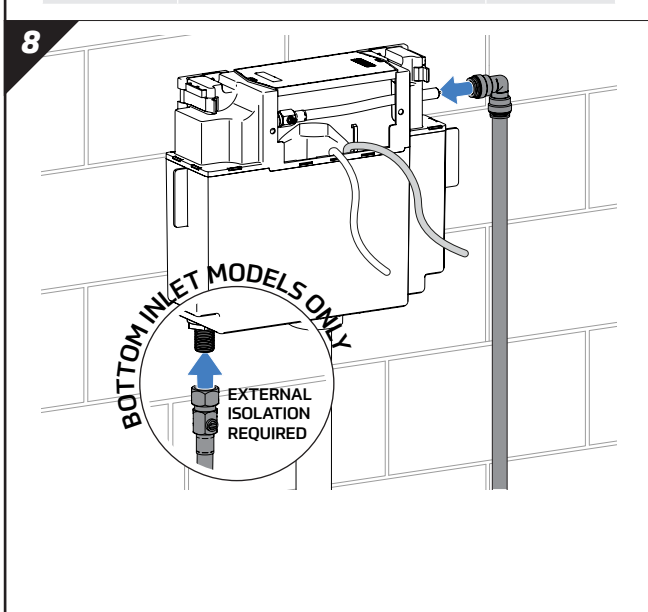
Installation to a masonry substrate shown for visual purposes. This procedure is transferable across other installation applications i.e. furniture. Ensure that suitable fixings are used for the required application.

REFERENCE DIMENSIONS





TANK FED	TANK HEIGHT >50ft (15m)	RETAIN
	TANK HEIGHT <50ft (15m)	REMOVE
MAINS FED	PRESSURE >1.5 bar	RETAIN
	PRESSURE <1.5 bar	REMOVE



© 2025 TD_SISLF323990_11644 Iss P

Thomas Dudley
295 Birmingham New Road
Dudley, West Midlands
United Kingdom
DY1 4SJ

t +44 (0)121 557 5411
f +44 (0)121 557 5345
e info@thomasdudley.co.uk
w www.thomasdudley.co.uk/plumbing

T H O M A S
D U D L E Y