



### Applications

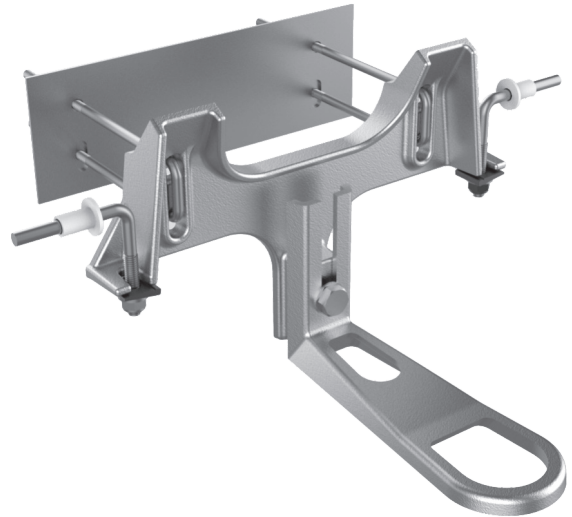
Heavy-duty mounting bracket for use with the Resan Oval Basin.

### Water Saving

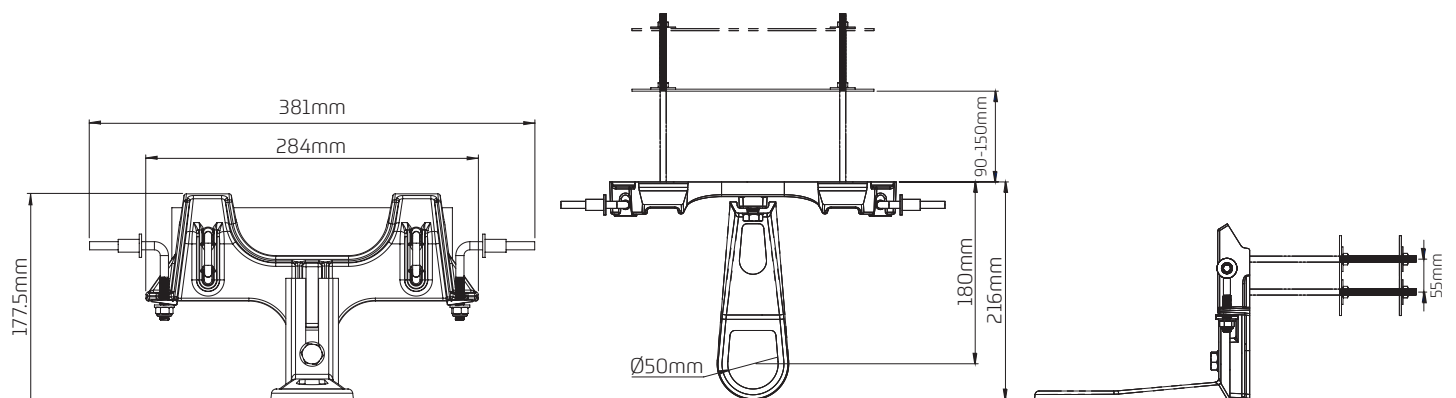
Water Saving information.

### Features

- ~ Highly robust ductile cast iron construction
- ~ Damage resistant
- ~ Suitable for use with Resan Oval Basin for direct retrofit purposes
- ~ Supplied with through wall fixing kit (Max. Wall Thickness 155mm)
- ~ Galvanised finish
- ~ Height adjustable waste support.



### Dimensional Data



### Technical Data

Material	Ductile Iron EN-GJS-450-10
Finish	Galvanised
Product Weight	2kg
Fixing Orientation	Through wall fixed
Standard Conformity	BS EN 1563 : 2018 Founding. Spheroidal graphite cast irons. BS EN ISO 1461:2009 Hot dip galvanized coatings on fabricated iron and steel articles.
Product Code	333413