



## FIN TYPE PAN CONNECTOR EVA/Polythene

### Applications

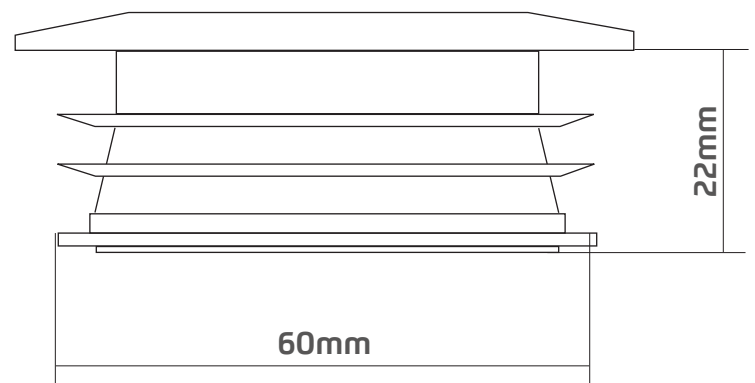
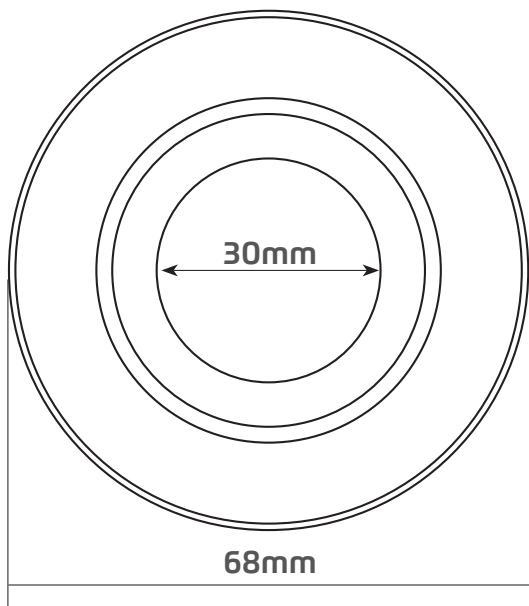
Provides a watertight seal for internal lavatory plumbing. This standard connector also will physically fit most sanitaryware – all you need to do is simply push it onto the fitting for a snug seal that will help to prevent leaking.

### Features

- ~ To fit 38mm [1.1/2"] Flushpipes
- ~ EVA/Polythene Internal Fin Type



### Dimensional Data



### Technical Data

Material	EVA/Polythene
Size	To fit 38mm
Product Code	370220