



Applications

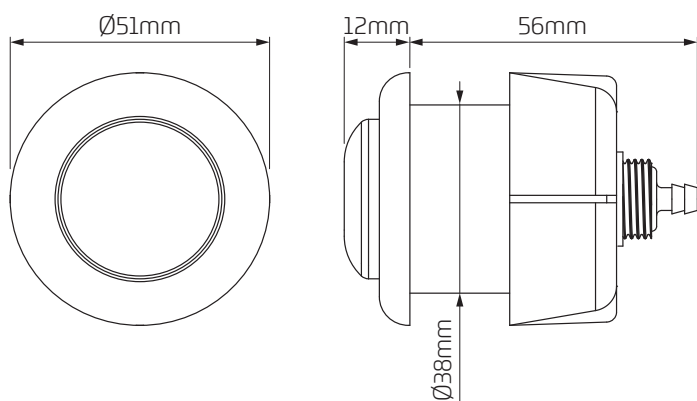
Designed for use with Dudley pneumatic cisterns. Ideal for applications where risk of vandalism or misuse is present.

Features

- ~ High impact vandal-resistant stainless steel construction
- ~ Smooth pneumatic operation
- ~ Anti-ligature design.



Dimensional Data



Technical Data

Wall Thickness	5-46mm
Installation Aperture	Ø38-40mm
Fixing Type	Back Nut (Reversible)
Button Operation	Pneumatic
Flush Option	Single Flush