



RESAN® PAN V2 FLOOR FIXED

Less able damage resistant
anti-ligature WC pan with grey seat

Applications

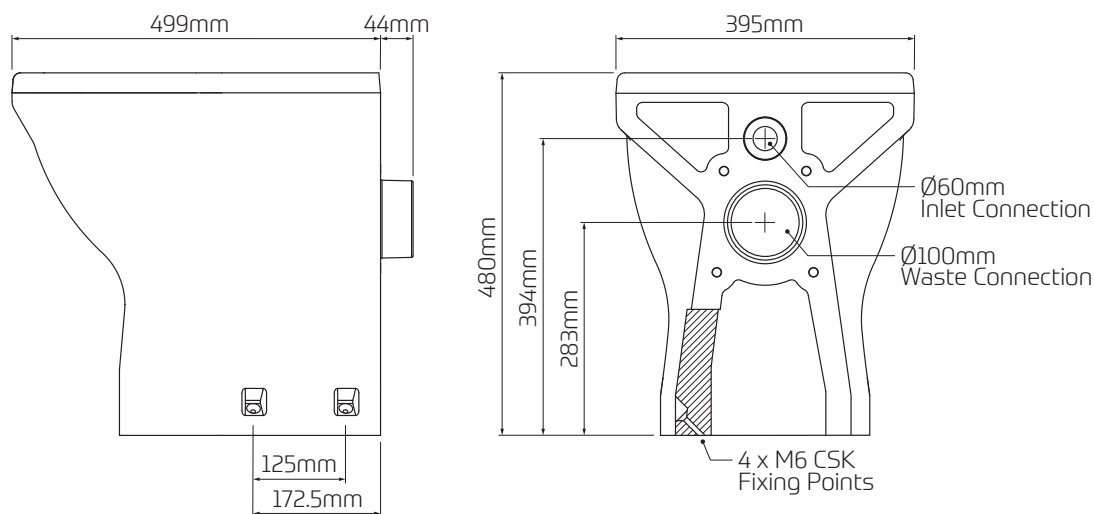
Suitable for installation within custodial, healthcare and commercial environments.

Features

- ~ Damage resistant
- ~ Anti-ligature
- ~ Grey integral moulded seat aids the visually impaired and provides a normalised environment in mental healthcare applications
- ~ Range of activation and control options available
- ~ Raised height for less able applications
- ~ EN outlet connection.



Dimensional Data



Technical Data

Material	Polymer Resin
Available Finishes	Matt, Gloss
Product Weight	52 kg
Fixing Orientation	Floor Fixed
Fixing Size	M6 CSK Floor fixing points
Standard Conformity	BS 476 Pt.6 Fire propagation & surface spread of flame. ISO EN 19712-3-2007 Rated 5 for durability, stain resistance, cigarette burns etc.